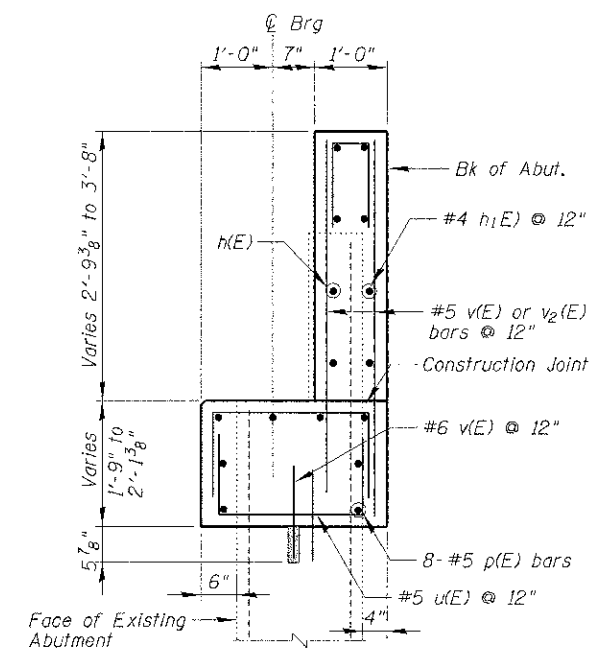


ELEVATION-NORTH ABUTMENT

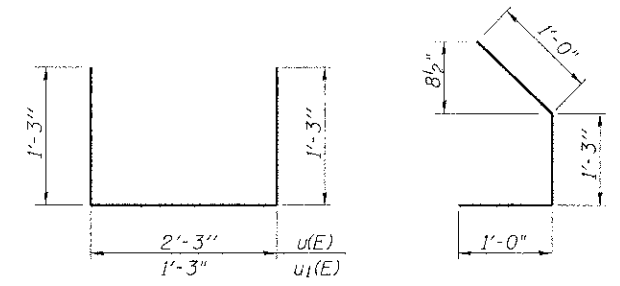


SECTION - NORTH ABUTMENT

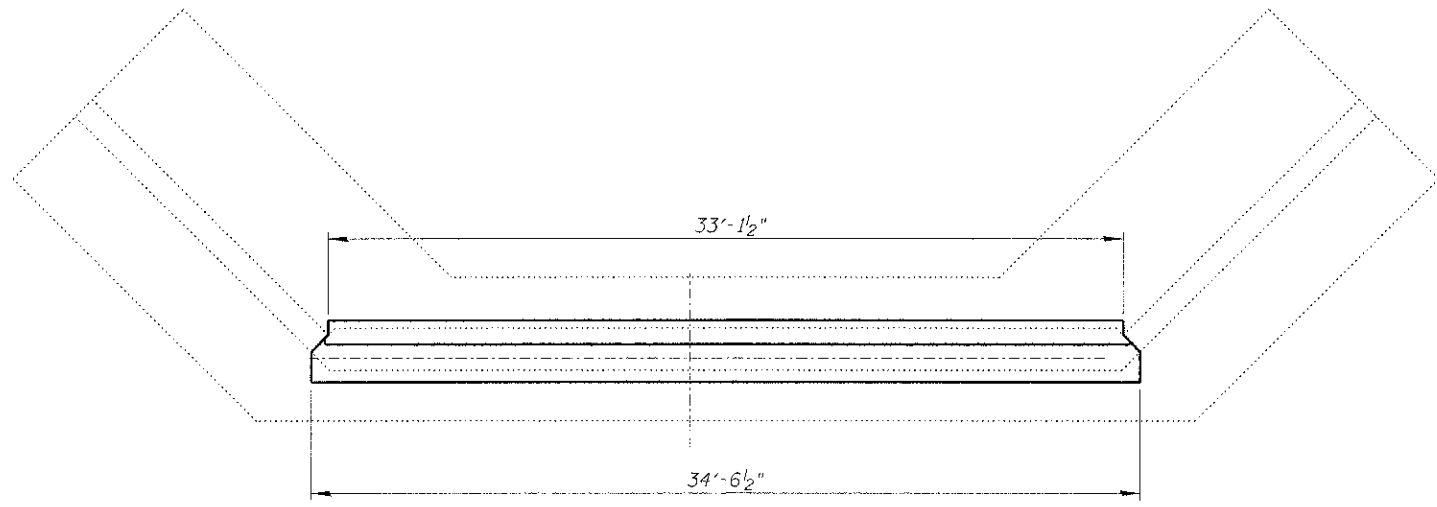
NORTH ABUTMENT
BILL OF MATERIAL

Bar	No.	Size	Length	Shape
h(E)	4	#4	34'-2"	—
h1(E)	4	#4	33'-5"	—
h3(E)	2	#4	6'-4"	—
p(E)	16	#5	18'-9"	—
u(E)	68	#5	4'-9"	□
u1(E)	4	#5	3'-9"	□
u2(E)	6	#5	3'-3"	□
v(E)	35	#6	1'-6"	—
v1(E)	56	#5	4'-0"	—
v2(E)	14	#5	4'-8"	—
Reinforcement Bars, Epoxy Coated			Pound	1,260
Concrete Structures			Cu. Yd.	11.0

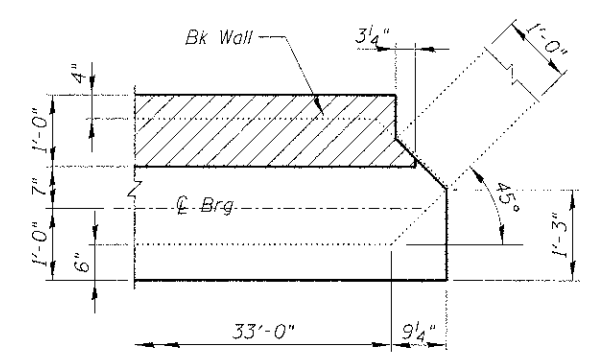
Bars indicated thus 1 x 3-#4 etc. indicates 1 line of bars with 3 lengths per line.
Epoxy grout #6 v(E) bars in 6" (min.) drilled holes according to Section 584 of the Standard Specification.



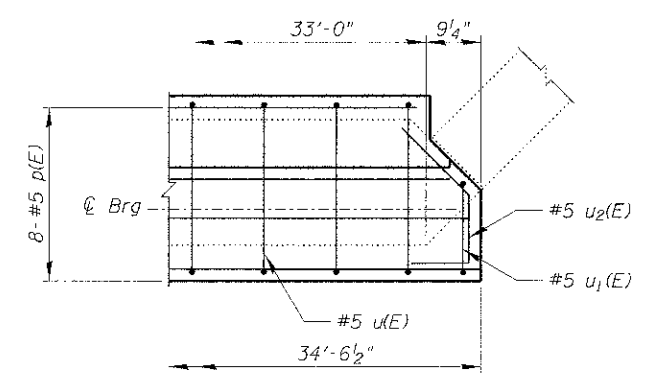
BARS u(E) and u1(E) BAR u2(E)



ELEVATION-NORTH ABUTMENT



CORNER DETAIL



CORNER DETAIL SHOWING REINFORCEMENT
(Beam Seat Level)