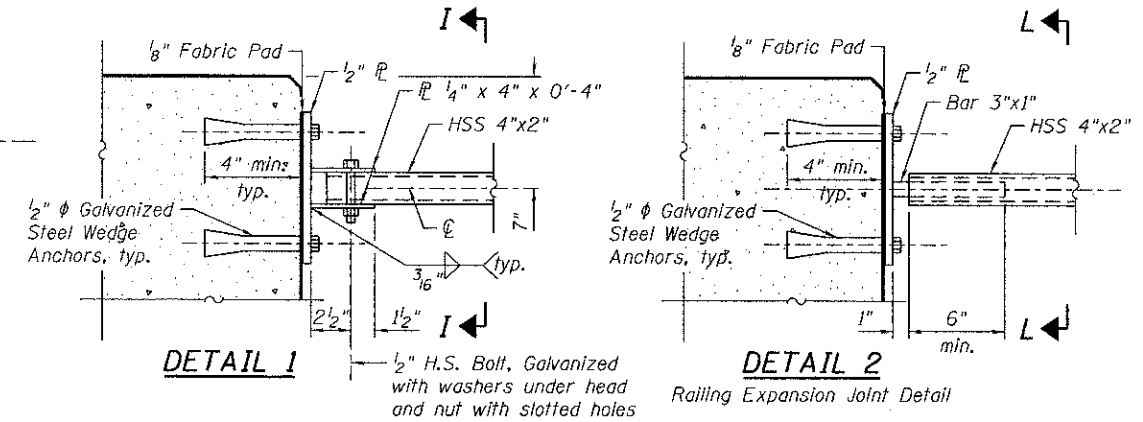
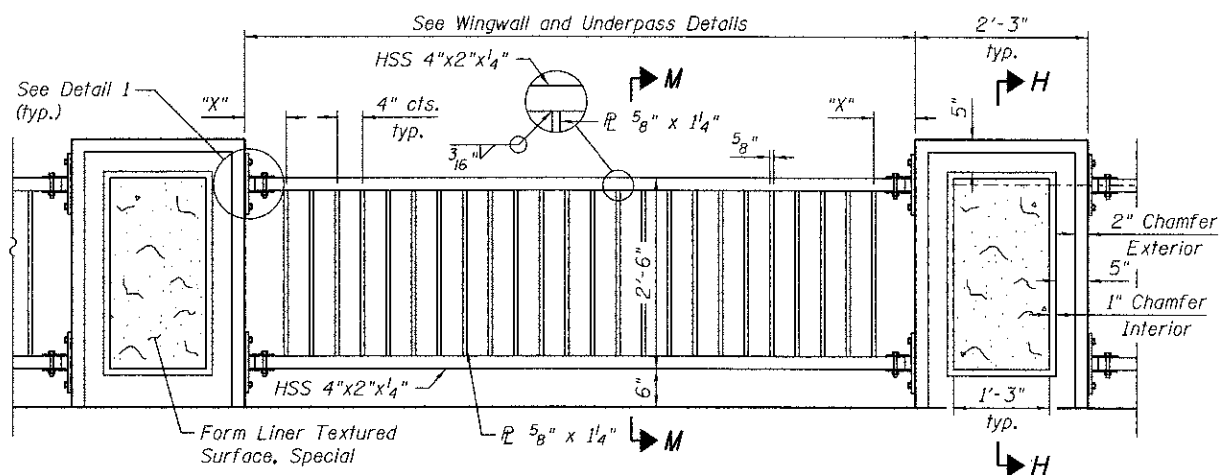


TYPICAL END SECTION

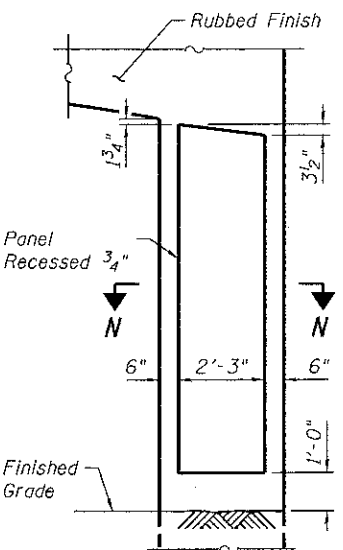


DETAIL 1

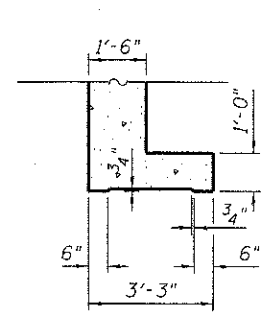
DETAIL 2



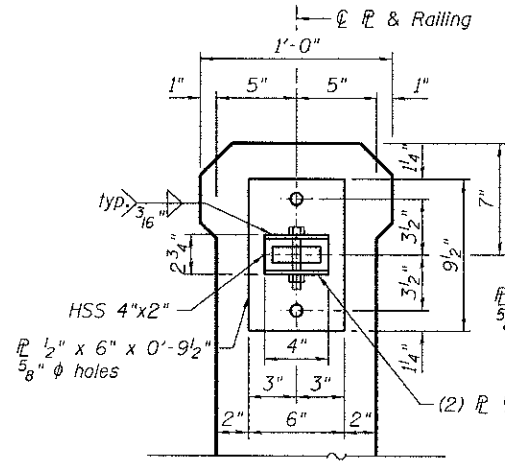
TYPICAL RAILING ELEVATION
Dimension "X" Equals Remaining Distance After Even Plate Spacing



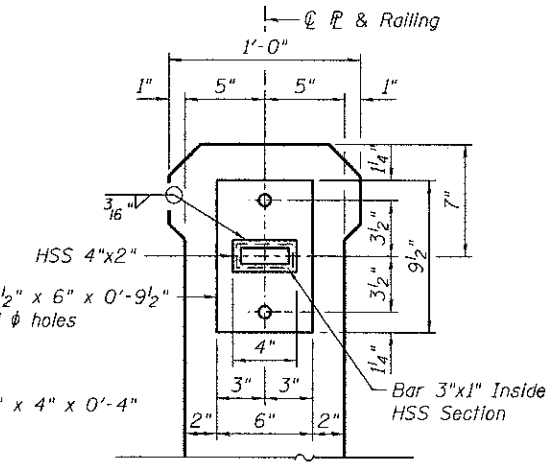
DETAIL 3
Recessed Panel Detail



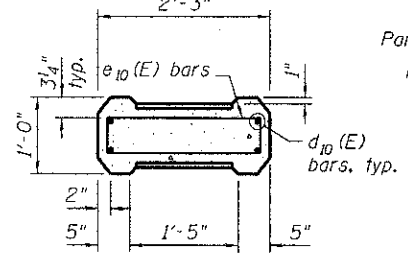
SECTION N-N



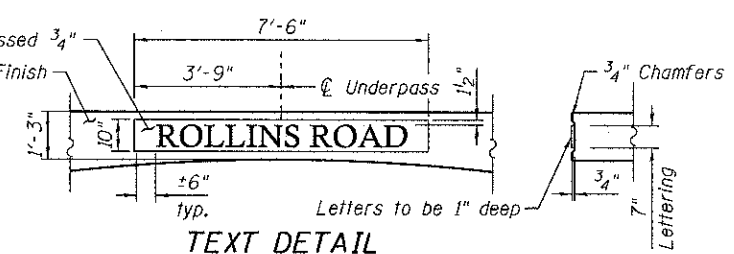
SECTION I-I



SECTION L-L

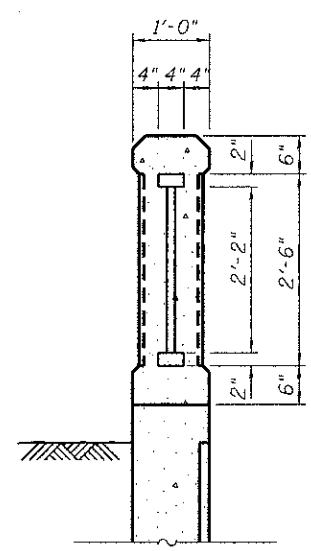


SECTION K-K

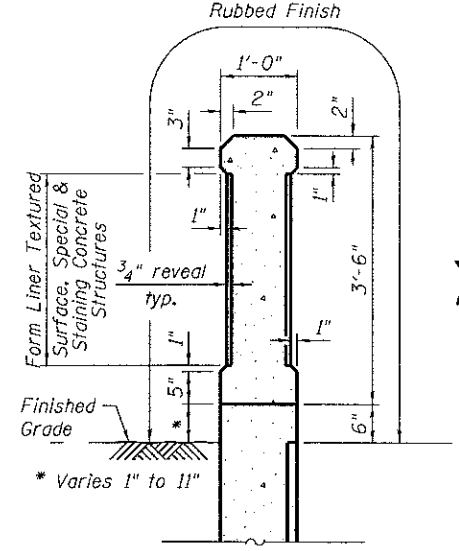


TEXT DETAIL

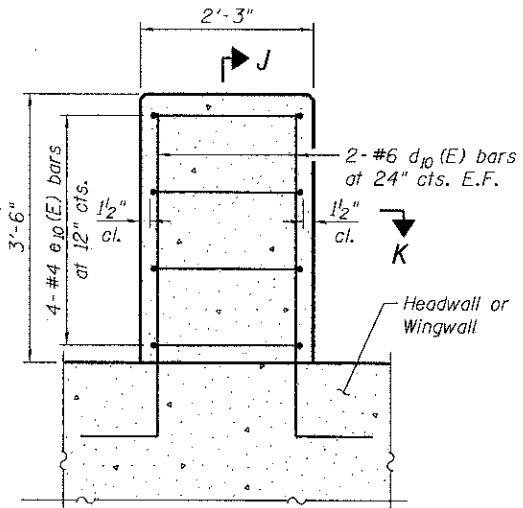
Font Style to be Calisto MT
Letters are to be cast-in-place with a one piece form liner securely attached to the forms and according to Article 503.06(a). Individual letters are not permitted. Cost included with Concrete Structures.



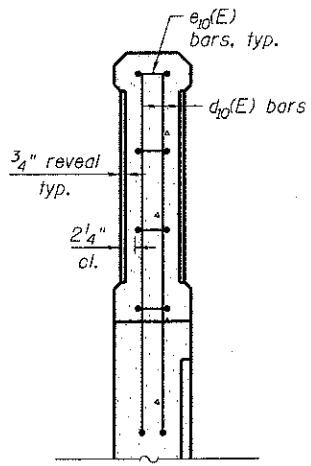
SECTION M-M



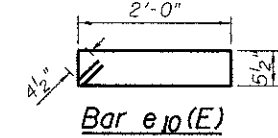
SECTION H-H



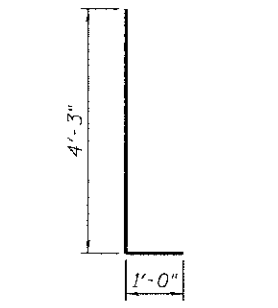
PILASTER REINFORCING
(Front Face)



SECTION J-J



Bar e10(E)



Bar d10(E)

BILL OF MATERIAL

| BILL OF MATERIAL (For Pilasters) | | | | |
|--------------------------------------|---------|----------|--------|-------|
| Bar | No. | Size | Length | Shape |
| d10(E) | 72 | #6 | 5'-3" | □ |
| e10(E) | 72 | #4 | 5'-8" | □ |
| Item | Unit | Quantity | | |
| Concrete Structures | Cu. Yd. | 5.3 | | |
| Rubbed Finish | Sq. Ft. | 338 | | |
| Ornamental Railing | Foot | 145 | | |
| Reinforcement Bars, Epoxy Coated | Pound | 850 | | |
| Form Liner Textured Surface, Special | Sq. Ft. | 113 | | |
| Staining Concrete Structures | Sq. Yd. | 13 | | |

N:\PROJ\0220087\01\Rollins\Design\Structural\CAD\0220087_01_P08-Architectural_Details.dgn



| | | |
|---------------------------|----------------|-----------|
| USER NAME = rdenley | DESIGNED - SWY | REVISED - |
| PLOT SCALE = 5/8" = 1'-0" | CHECKED - BWS | REVISED - |
| PLOT DATE = 4/8/2013 | DRAWN - RD | REVISED - |
| | CHECKED - BWS | REVISED - |

MILLENNIUM TRAIL
LAKE COUNTY FOREST PRESERVES

ARCHITECTURAL DETAILS
STRUCTURE NO. 049-N008
SHEET NO. S-8 OF S-12 SHEETS

| F.A.U. RTE. | SECTION | COUNTY | TOTAL SHEETS | SHEET NO. |
|---------------------------|----------------|--------|--------------|--------------------|
| 181 | 12-F3000-01-BT | LAKE | 118 | 57 |
| | | | | CONTRACT NO. 63807 |
| ILLINOIS FED. AID PROJECT | | | | |