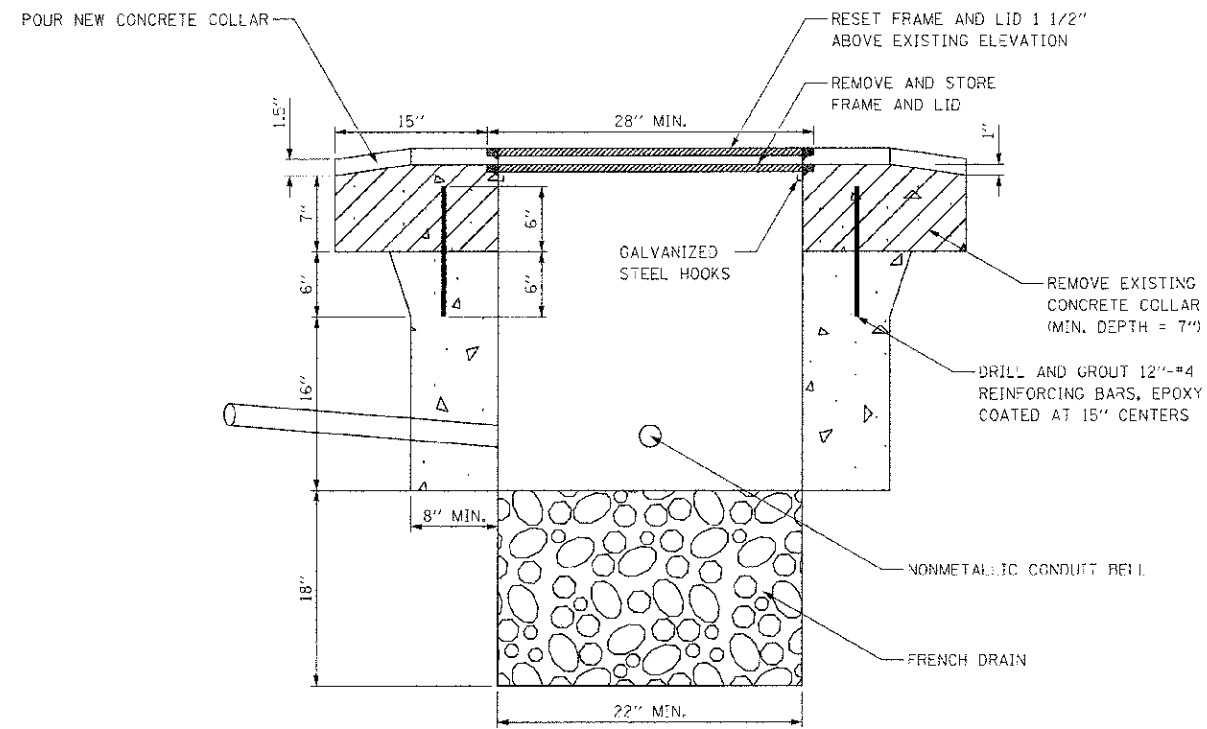
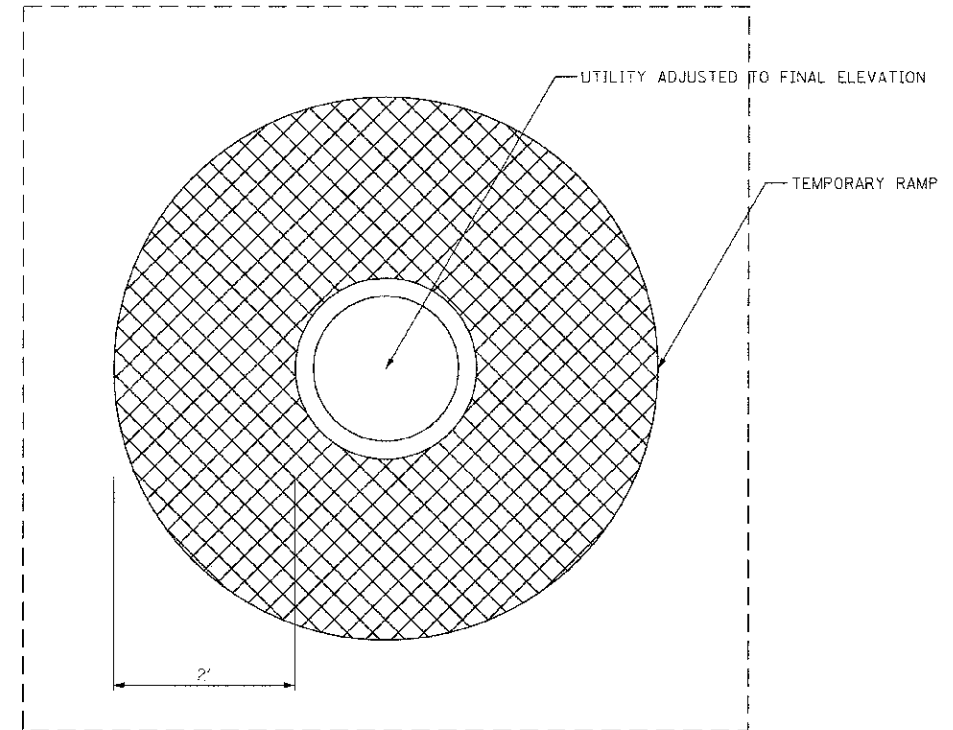


PLAN

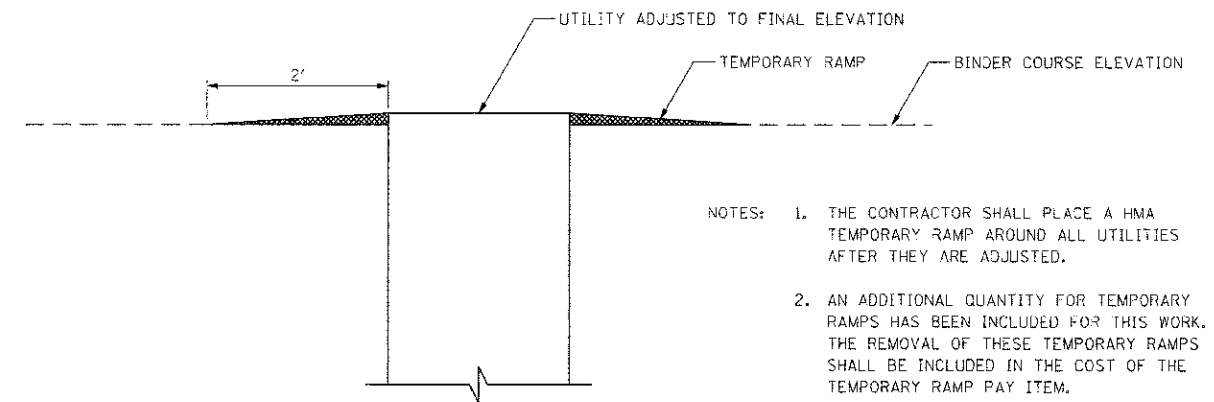


ELEVATION

HEAVY DUTY HANDHOLES TO BE ADJUSTED



PLAN



ELEVATION

TEMPORARY RAMPS

- NOTES:
1. THE CONTRACTOR SHALL PLACE A HMA TEMPORARY RAMP AROUND ALL UTILITIES AFTER THEY ARE ADJUSTED.
 2. AN ADDITIONAL QUANTITY FOR TEMPORARY RAMPS HAS BEEN INCLUDED FOR THIS WORK. THE REMOVAL OF THESE TEMPORARY RAMPS SHALL BE INCLUDED IN THE COST OF THE TEMPORARY RAMP PAY ITEM.

FILE NAME =	USER NAME = USER	DESIGNED - JLB	REVISED -	STATE OF ILLINOIS DEPARTMENT OF TRANSPORTATION	ST. CHARLES ROAD RESURFACING PROJECT DETAILS			F.A.U RTL	SECTION	COUNTY	TOTAL SHEETS	SHEET NO.
G:\CH2\0000\Road\Chas\10089-14-PROJ\DE	FILED - Ljd	DRAWN - JLB	REVISED -		1397	13-00161-00-RS	DUPAGE	26	14			
PICT SEALS = 68,958 / /	FILET DATE = 4/3/2013	CHECKED - DMB	REVISED -		SCALE: NTS SHEET 1 OF 3 SHEETS STA. TO STA.			CONTRACT NO. 63833				
#MODELNAME		DATE - 04/03/2013	REVISED -		ILLINOIS FED. AID PROJECT							