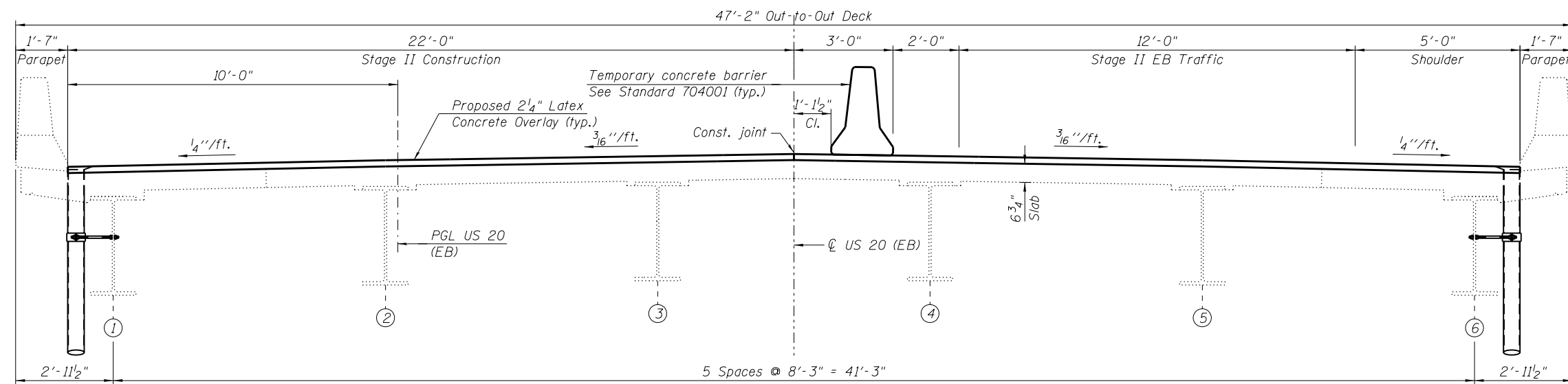
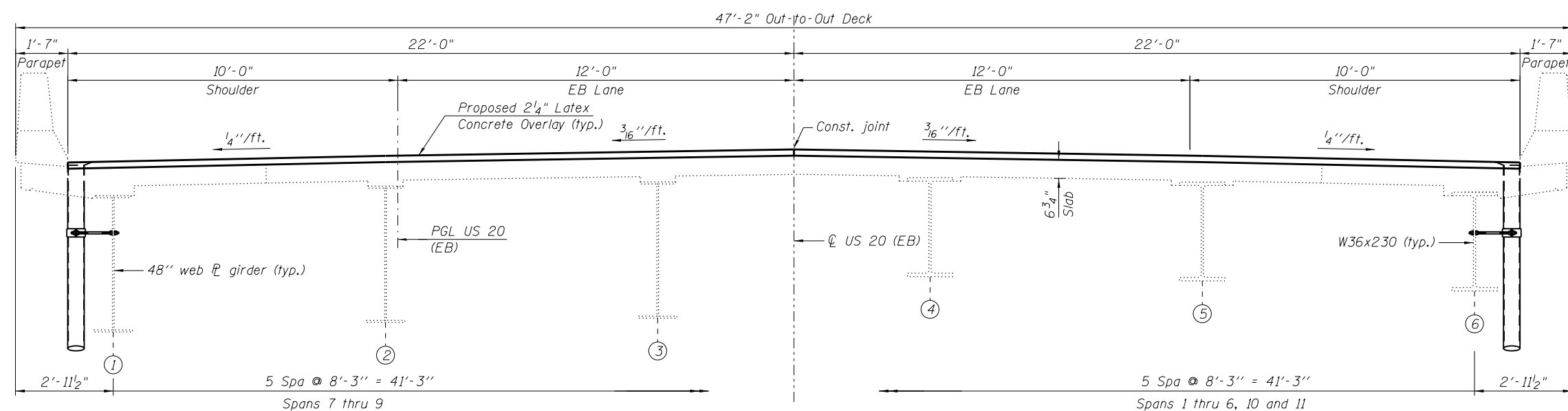


STAGE II REMOVAL
(Span 1 Shown Others Similar, Looking South)



STAGE II CONSTRUCTION
(Span 1 Shown Others Similar, Looking South)



FINAL CROSS SECTION
(Looking South)

STAGE II REMOVAL

1. Install temporary concrete barrier as shown to locate traffic lane on the east side of the existing structure.
2. Remove 3/4" from the deck slab using scarification.
3. Remove areas of existing deck for full depth deck slab repairs.
4. Remove the concrete deck adjacent to expansion joints at the North and South Abutments, and Piers 6 and 9.
5. Remove existing deck drains, downspouts and connections to existing steel beams and girders.
6. Remove existing diaphragms at South Abutment and Piers 6 and 9.
7. Remove angles supporting the existing diaphragms at their ends.
8. Cut and remove the stiffeners interfering with end of beam repairs.

STAGE II CONSTRUCTION

The following construction items will be performed within the limits of Stage II Construction:

1. Perform full depth deck slab repairs.
2. Replace deteriorated concrete deck for areas where the existing deck drains were removed.
3. Plug the existing deck drains and install new deck drains.
4. Perform end of beams/girders 1 thru 3 repairs and replace diaphragms between beams 1 and 3 at South Abutment and Piers 6 and 9.
5. Temporarily shore beams 1 thru 3 at Piers 6 (spans 6 and 7) and 9 (spans 9 and 10) and at beam 1 at the North Abutment.
6. Perform structural concrete repairs for the abutments and Piers 6 and 9.
7. Jack and remove existing bearings 1 thru 3 at South Abutment, and bearings 2 and 3 at North Abutment, and replace with Type II Elastomeric Expansion Bearings.
8. Prior to removal of temporary shoring in item 5, remove and replace existing bearings for beams 1 thru 3 at Piers 6 and 9 and for beam 1 at North Abutment.
9. Replace concrete deck adjacent to expansion joints at North and South Abutments and Piers 6 and 9, perform grooving and install new preformed joint strip seal expansion joints.
10. Paint the bottom face of bottom flange, exterior web face, and exterior bottom face of top flange on fascia beams/girders.
11. Paint 10 feet of beams 1 thru 3 on both sides of Piers 6 and 9, on south side of North Abutment, and on north side of South Abutment.
12. Perform epoxy crack injection for Pier 8.
13. Clean bridge seats and apply concrete sealer at North and South Abutments and Piers 6 and 9.
14. Apply 2 1/4" bridge deck latex concrete overlay to bridge deck slab.
15. Perform bridge deck grooving for the 2 1/4" bridge deck latex concrete overlay area.
16. Apply protective coat for the top and inside faces of existing parapets, and reconstructed transverse expansion joint areas.
17. Repaint pavement markings on the top of deck.

HBM
ENGINEERING GROUP, LLC
CONSULTING & DESIGN
INSPECTION & TESTING
RESEARCH & TESTING

4415 WEST HARRISON ST.
SUITE 231
HILLSIDE, IL 60162
PHONE: (708) 236-0900
FAX: (708) 236-0901

DESIGNED - WM, MI
CHECKED - MI
DRAWN - WM
CHECKED - MAI, MI

REVISED -
REVISED -
REVISED -
REVISED -

STATE OF ILLINOIS
DEPARTMENT OF TRANSPORTATION

STAGE II CONSTRUCTION & FINAL DECK CROSS SECTION
EB US ROUTE 20 OVER PECATONICA RIVER STRUCTURE NO. 089-0042

SHEET NO. S04 OF S26 SHEETS

F.A.P. RTE.	SECTION	COUNTY	TOTAL SHEETS	SHEET NO.
0301	(177-4B-11M)	STEPHENSON	43	21
CONTRACT NO. 64J24				
ILLINOIS FED. AID PROJECT				

DATE - 03/13/2013