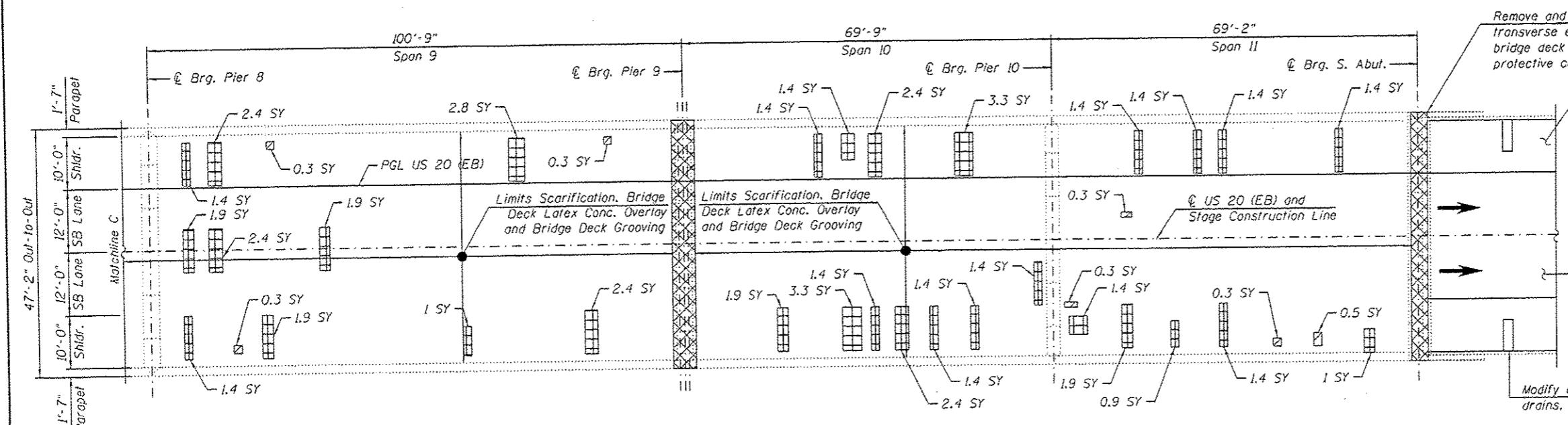


DECK PLAN SPANS 7 THRU 9  
(Top of Deck)



DECK PLAN SPANS 10 THRU 11  
(Top of Deck)

**BILL OF MATERIAL**

ITEM	UNIT	QUANTITY
Bridge Deck Grooving	Sq. Yd.	4328
Protective Coat	Sq. Yd.	822
Bridge Deck Latex Concrete Overlay, 2 1/4 Inches	Sq. Yd.	4533
Bridge Deck Scarification, 3/4"	Sq. Yd.	4533
Structural Repair of Concrete (Depth Great Than 5")	Sq. Ft.	23
Deck Slab Repair (Full Depth, Type I)	Sq. Yd.	10
Deck Slab Repair (Full Depth, Type II)	Sq. Yd.	165

Remove and replace transverse expansion joint, bridge deck grooving, and protective coat

Remove and replace settled shoulder pavement, PCC surface removal 1" of remaining shoulder pavement, modify approach drain, and apply 2 1/2" of Hot-mix asphalt overlay. See roadway plans for details and quantities. Typ. at all 4 corners.

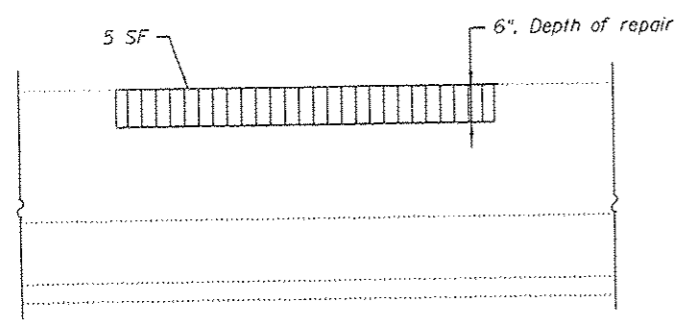
PCC surface removal 1" of existing approach and apply 2 1/2" of Hot-mix asphalt. See Roadway plans for details and quantities. (Typ. at both approaches)

**NOTES**  
1. For Notes, see Sheet S06.

- LEGEND**
- Concrete Removal
  - Deck Slab Repair (Partial) \*
  - Deck Slab Repair (Full Depth, Type I)
  - Deck Slab Repair (Full Depth, Type II)
  - Structural Repair of Concrete (depth greater than 5")

➔ Traffic direction

\* Approximately an additional 1 Sq. Yd. in roadway area for estimating purposes only (For Information Only)



SECTION A-A  
(Parapet Elevation)

**HBM**  
ENGINEERING GROUP, LLC  
CONSULTING & DESIGN  
INSPECTION & TESTING  
4415 WEST HARRISON ST.  
SUITE 231  
HILLSDALE, IL 60142  
PHONE: (708) 236-0900  
FAX: (708) 236-0901

DESIGNED - LAK	REVISED -
CHECKED - MI	REVISED -
DRAWN - LAK	REVISED -
CHECKED - MAI, MI	REVISED -

DATE - 03/13/2013

STATE OF ILLINOIS  
DEPARTMENT OF TRANSPORTATION

BRIDGE DECK REPAIR PLAN (SPANS 7 THRU 11)  
EB US ROUTE 20 OVER PECATONICA RIVER STRUCTURE NO. 089-0042

F.A.P. RTE.	SECTION	COUNTY	TOTAL SHEETS	SHEET NO.
0301	(177-4B-11M)	STEPHENSON	43	24
CONTRACT NO. 64J24				
ILLINOIS FED. AID PROJECT				

SHEET NO. 507 OF 526 SHEETS