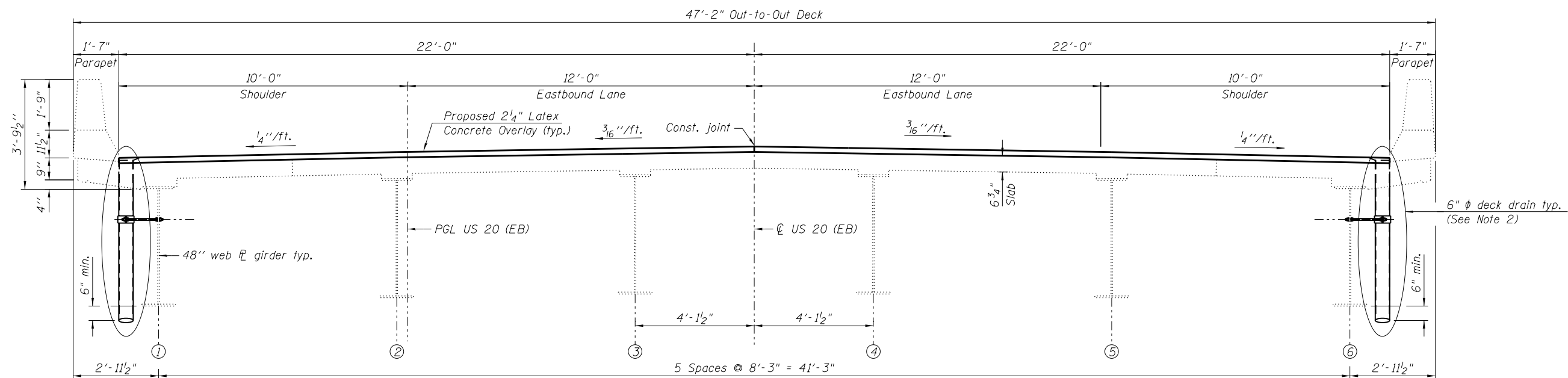


**DECK CROSS SECTION (SPANS 1 THRU 6, 10 AND 11)**  
(Looking South)



**DECK CROSS SECTION (SPANS 7 THRU 9)**  
(Looking South)

**NOTES**

1. For Notes, see Sheet S06.
2. For deck drain locations, sections and details, see Sheet S14.