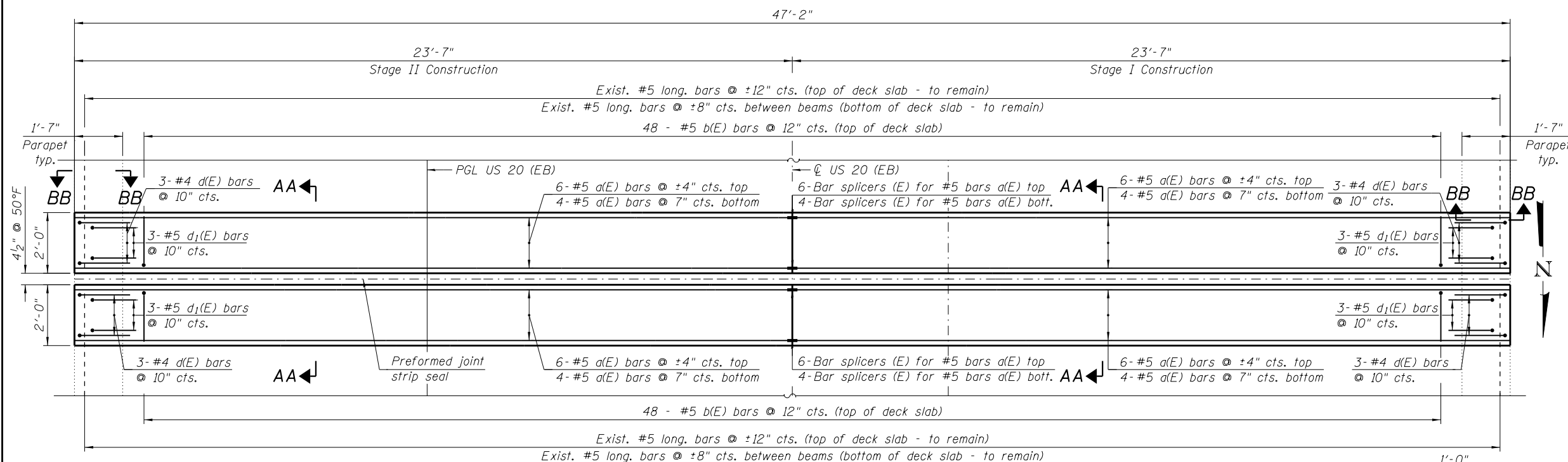
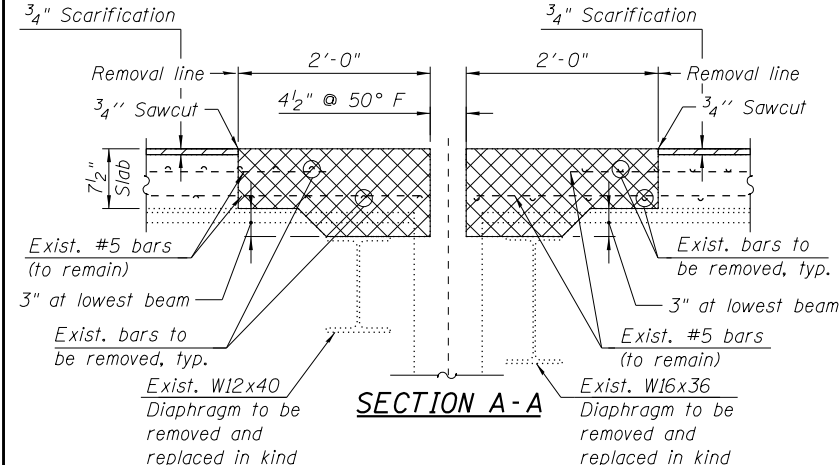


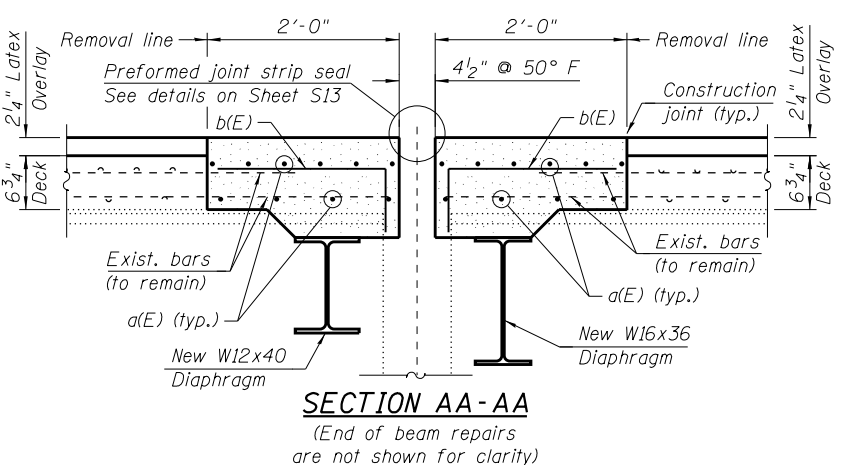
PIER 6 JOINT REMOVAL PLAN



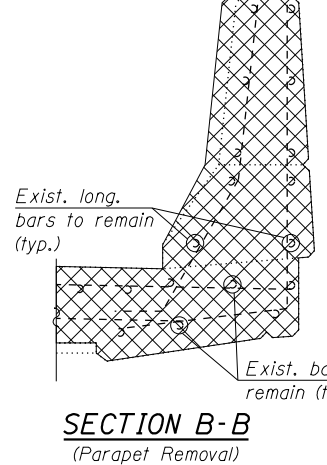
PIER 6 JOINT REPLACEMENT PLAN



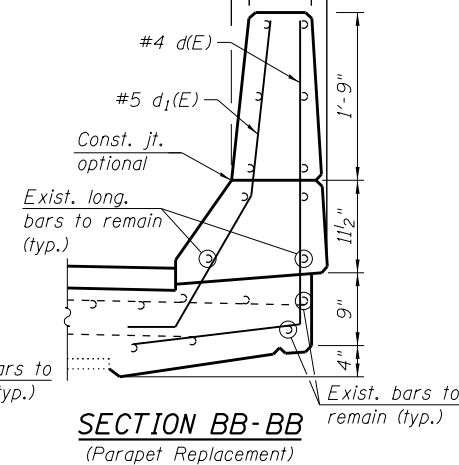
SECTION A-A



SECTION AA-AA



SECTION B-B



SECTION BB-BB

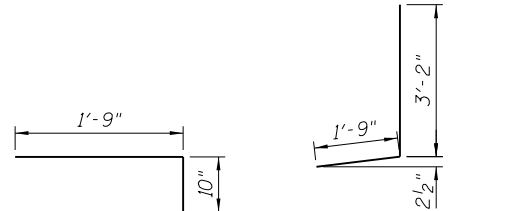
BILL OF MATERIAL

Bar	No.	Size	Length	Shape
a(E)	40	#5	23'-4"	—
b(E)	96	#5	2'-7"	└
d(E)	12	#4	4'-11"	J
d ₁ (E)	12	#5	3'-11"	J
Concrete Removal		Cu. Yd.	5.9	
Concrete Superstructure		Cu. Yd.	7.0	
Bridge Deck Grooving		Sq. Yd.	18	
Protective Coat		Sq. Yd.	20	
Reinforcement Bars,		Pound	1,320	
Epoxy Coated				
Bar Splicers		Each	20	

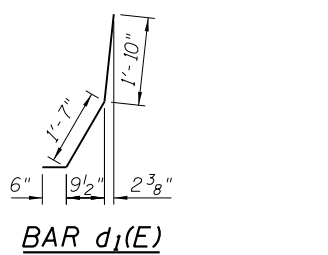
Reinforcement bars designated (E) shall be epoxy coated.

NOTES:

- For General Notes and Total Bill of Material, see Sheet S02.
- For preformed joint strip seal details, see Sheet S13.
- For bar splicer details, see Sheet S26.
- Existing reinforcement bars extending into the removal area shall be cleaned, straightened and incorporated into the new construction. Any reinforcement bars that are damaged during concrete removal shall be replaced with an approved bar splicer or anchorage system. Cost included with Concrete Removal.



BAR b(E) **BAR d(E)**



BAR d₁(E)

LEGEND

	Concrete Removal
	Scarification

HBM
ENGINEERING GROUP, LLC
CONSULTING & DESIGN
INSPECTION & TESTING
RESEARCH & TESTING

4415 WEST HARRISON ST.
SUITE 231
HILLSIDE, IL 60162
PHONE: (708) 236-0900
FAX: (708) 236-0901

DESIGNED - LAK	REVISIONS -
CHECKED - MI	REVISIONS -
DRAWN - LAK	REVISIONS -
CHECKED - MAI, MI	REVISIONS -

STATE OF ILLINOIS
DEPARTMENT OF TRANSPORTATION

PIER 6 JOINT REMOVAL AND REPLACEMENT
EB US ROUTE 20 OVER PECATONICA RIVER STRUCTURE NO. 089-0042

F.A.P. RTE.	SECTION	COUNTY	TOTAL SHEETS	SHEET NO.
0301	(177-4B-11M)	STEPHENSON	43	28
CONTRACT NO. 64J24			ILLINOIS FED. AID PROJECT	