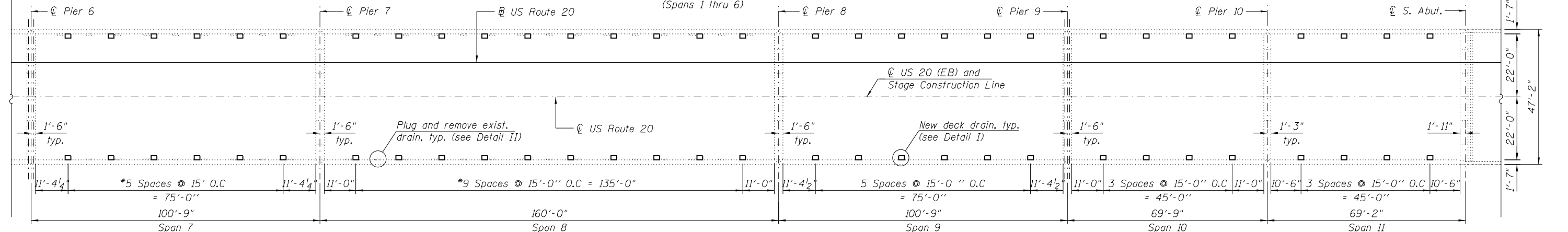
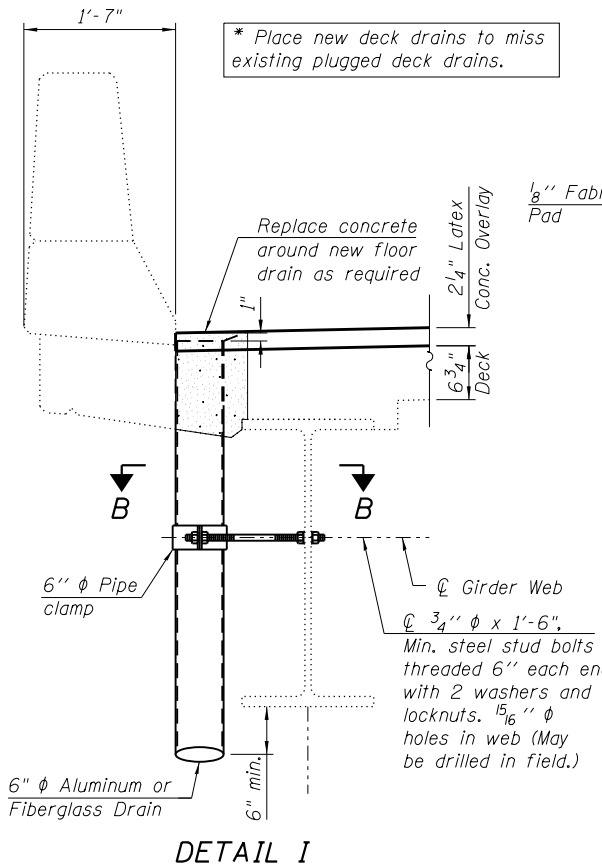


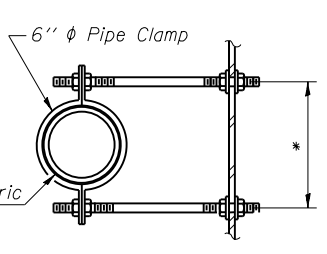
PARTIAL DRAINAGE PLAN
(Spans 1 thru 6)



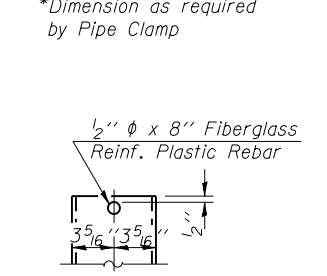
PARTIAL DRAINAGE PLAN
(Spans 7 thru 11)



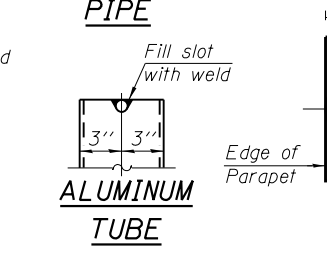
DETAIL I



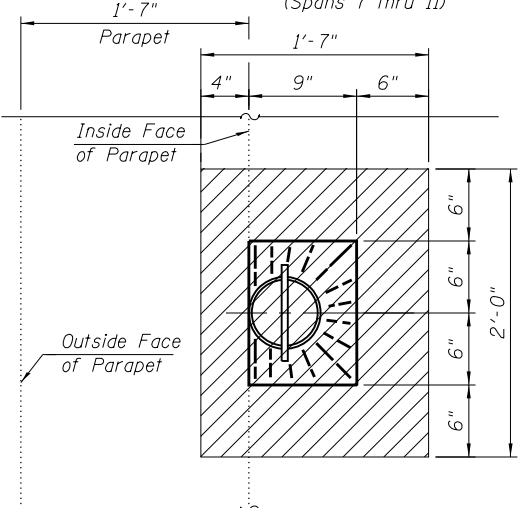
SECTION B-B
*Dimension as required by Pipe Clamp



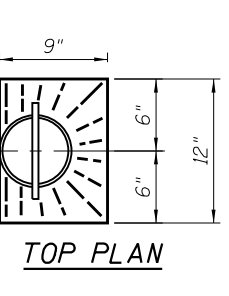
FIBERGLASS PIPE



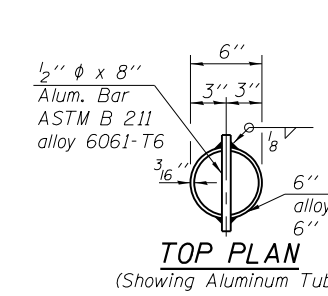
ALUMINUM TUBE



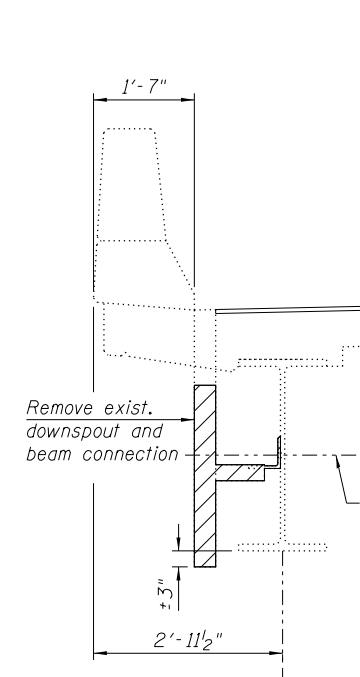
CONCRETE REMOVAL PLAN



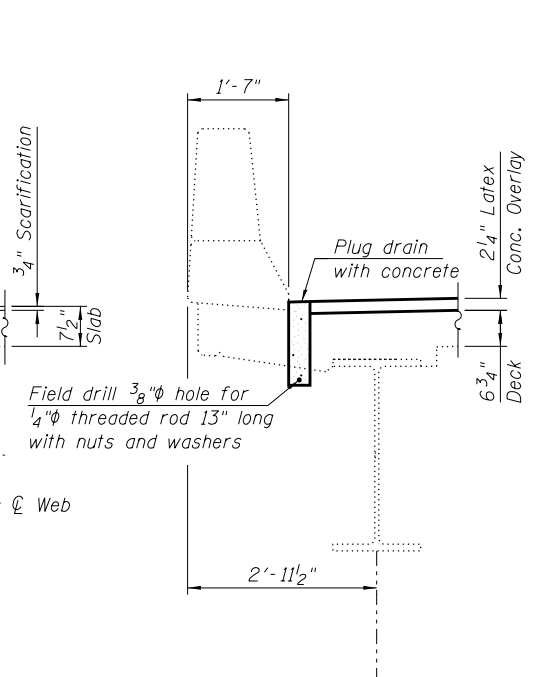
TOP PLAN



TOP PLAN
(Showing Aluminum Tube)



DETAIL II
(Removal)



DETAIL II
(Plug Existing Drain)

BILL OF MATERIAL

| ITEM | UNIT | QUANTITY |
|---------------------------------------|---------|----------|
| Floor Drains | Each | 116 |
| Protective Coat | Sq. Yd. | 23 |
| Plug Existing Deck Drains | Each | 68 |
| Deck Slab Repair (Full Depth, Type I) | Sq. Yd. | 41 |

NOTES:

- The exterior surfaces of the floor drains shall be painted with the finish coat as specified in the special provisions for Cleaning and Painting New Metal Structures. The exterior surfaces of the drains shall be cleaned according to Society of Protective Coatings Spec. SSPC-SPI prior to painting.
- Fiberglass pipe shall conform to ASTM D 2996, with short-time rupture strength hoop tensile stress of 30,000 p.s.i. minimum.
- Galvanize clamping device according to AASHTO M232. Cost of clamping device and inserts is included with Floor Drains.
- For approach drain details see Roadway Plans.

LEGEND

| | |
|--|---------------|
| | Concrete pour |
| | Removal |

HBM
ENGINEERING GROUP, LLC
CONSULTING & DESIGN
INSPECTION & TESTING
RESEARCH & TESTING

4415 WEST HARRISON ST.
SUITE 231
MILLSIDE, IL 60162
PHONE: (708) 236-0900
FAX: (708) 236-0901

| | |
|--------------------|-----------|
| DESIGNED - WM | REVISED - |
| CHECKED - MI, JMG | REVISED - |
| DRAWN - WM, LAK | REVISED - |
| CHECKED - MAI, JMG | REVISED - |

STATE OF ILLINOIS
DEPARTMENT OF TRANSPORTATION

DRAINAGE PLAN & DETAILS
EB US ROUTE 20 OVER PECATONICA RIVER STRUCTURE NO. 089-0042

| F.A.P. RTE. | SECTION | COUNTY | TOTAL SHEETS | SHEET NO. |
|-------------|-------------|------------|--------------|-----------|
| 0301 | (177-4B-1M) | STEPHENSON | 43 | 31 |

CONTRACT NO. 64J24

SHEET NO. S14 OF S26 SHEETS

ILLINOIS FED. AID PROJECT

DATE - 03/13/2013