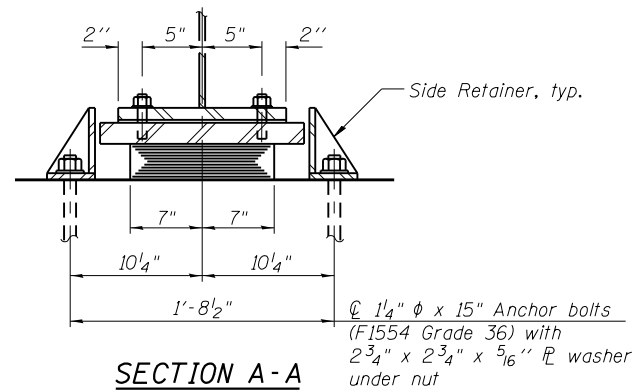
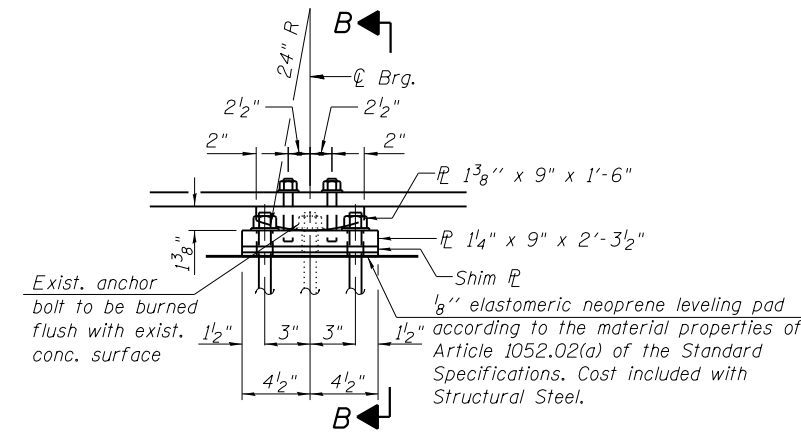


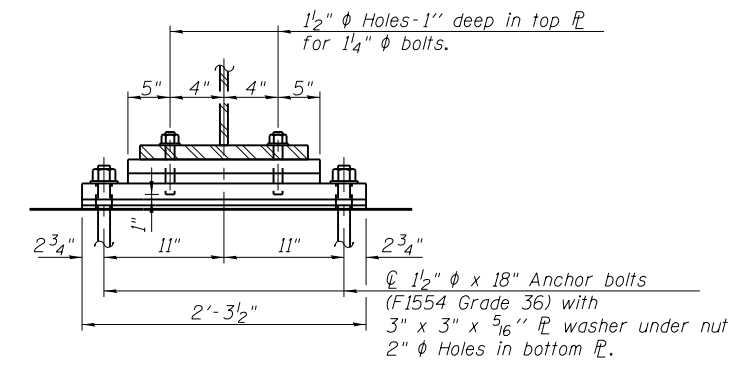
ELEVATION AT PIER



SECTION A-A



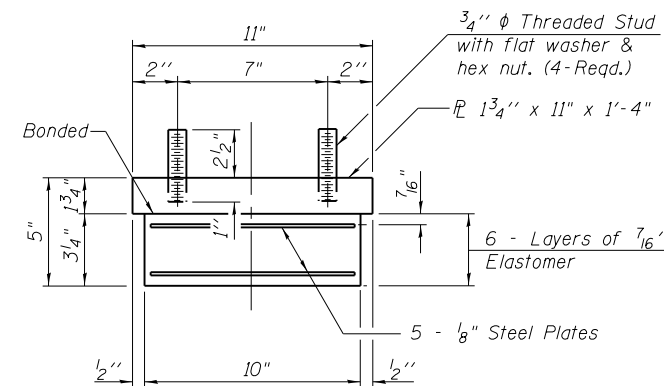
ELEVATION AT PIER



SECTION B-B

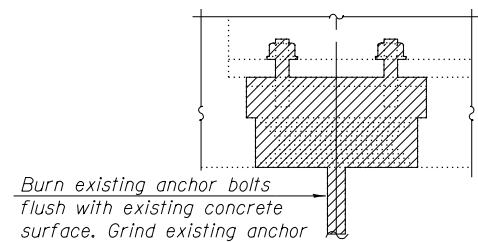
**TYPE I ELASTOMERIC EXP. BRG.  
AT PIER 6 - SPAN 7**

**FIXED BEARING  
AT PIER 9 - SPAN 10**

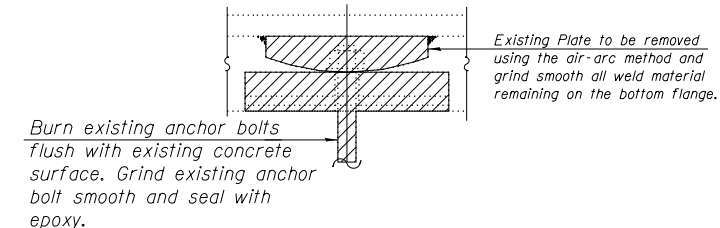


BEARING ASSEMBLY

Note:  
Shim plates shall not be placed under Bearing Assembly.



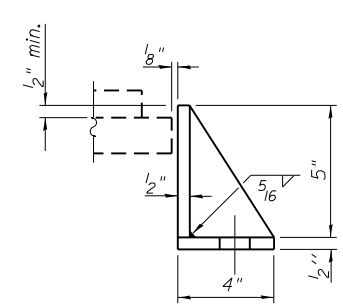
EXISTING TYPE I BEARING  
(Pier 6 - Span 7)



EXISTING FIXED BEARING  
(Pier 9 - Span 10)

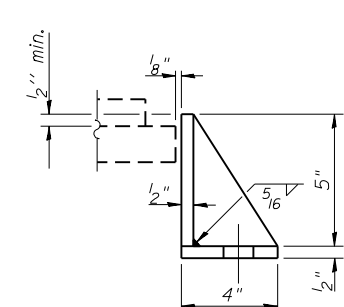
**NOTES:**

- Anchor bolts shall be ASTM F1554 all-thread (or an Engineer-approved alternate material) of the grade(s) and diameter(s) specified. ASTM A307 Grade C anchor bolts may be used in lieu of ASTM F1554 Grade 36 (Fy=36ksi). The corresponding specified grade of AASHTO M314 anchor bolts may be used in lieu of ASTM F1554.
- Drilled and set anchor bolts shall be installed according to Article 521.06 of the Standard Specifications.
- Side retainers, shim plates, connection bolts and other steel members required for the elastomeric bearing assembly shall be included in the cost of Elastomeric Bearing Assembly, Type I.
- Prior to ordering any material, the Contractor shall verify in the field all bearing height and shim thickness dimensions.
- Two 1/8 inch adjusting shims shall be provided for each bearing in addition to all other plates or shims and placed as shown on bearing details.
- See special provisions for Jacking and Removing procedures for existing bearings.
- Cost of removal and re-installation of all members necessary to complete the work as detailed on the plans and as specified in the Special Provisions shall be included with Elastomeric Bearing Assembly, Type I or Furnish and Erect Structural Steel.
- Removal of Existing Bearings shall be performed after Temporary Shoring and Cribbing of existing beams/girders.
- Minimum jack capacity = 60 tons.



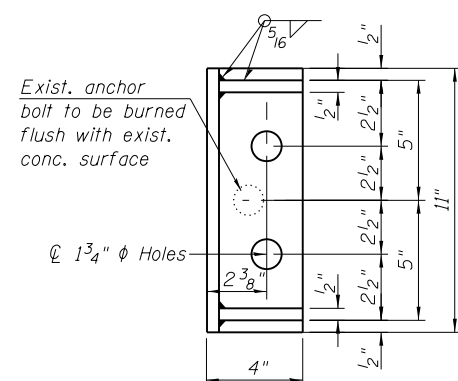
**SIDE RETAINER\***  
Equivalent rolled angle with stiffeners will be allowed in lieu of welded plates.

\* For interior beams and exterior face of exterior girders



**SIDE RETAINER\*\***  
Equivalent rolled angle with stiffeners will be allowed in lieu of welded plates.

\*\* For interior face of exterior girders



**BILL OF MATERIAL**

Item	Unit	Total
Furnishing and Erecting Structural Steel	Pound	960
Elastomeric Bearing Assembly Type I	Each	6
Anchor Bolts, 1/4"	Each	24
Anchor Bolts, 1/2"	Each	24
Removal of Existing Bearings	Each	12

I-2E-1

1-27-12

**HBM**  
ENGINEERING GROUP, LLC  
CONSULTING & DESIGN  
INSPECTION & TESTING  
RESEARCH & TESTING

4415 WEST HARRISON ST.  
SUITE 231  
HILLSIDE, IL 60162  
PHONE: (708) 236-0900  
FAX: (708) 236-0901

DESIGNED - JJS, LAK  
CHECKED - MI  
DRAWN - JJS, LAK  
CHECKED - MAI, MI

REVISED -  
REVISED -  
REVISED -  
REVISED -

STATE OF ILLINOIS  
DEPARTMENT OF TRANSPORTATION

TYPE I ELASTOMERIC AND FIXED BEARING DETAILS  
EB US ROUTE 20 OVER PECATONICA RIVER STRUCTURE NO. 089-0042

F.A.P. RTE. SECTION COUNTY TOTAL SHEETS SHEET NO.  
0301 (177-4B-11M) STEPHENSON 43 35  
CONTRACT NO. 64J24  
ILLINOIS FED. AID PROJECT

SHEET NO. S18 OF S26 SHEETS

DATE - 03/13/2013