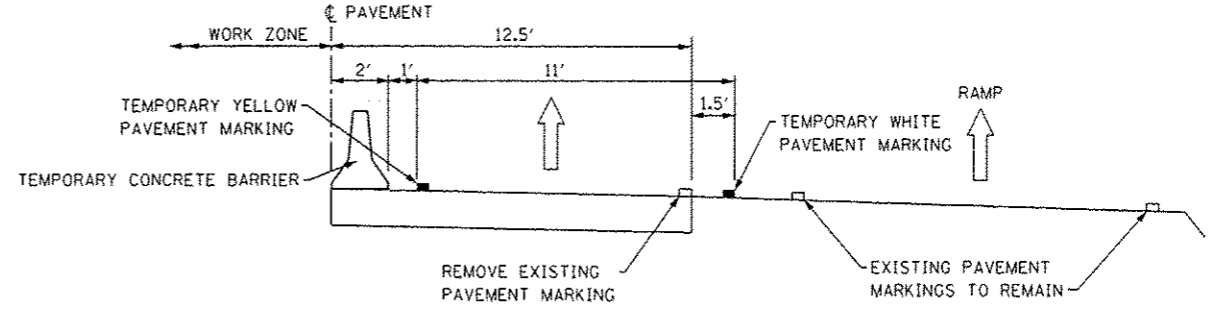
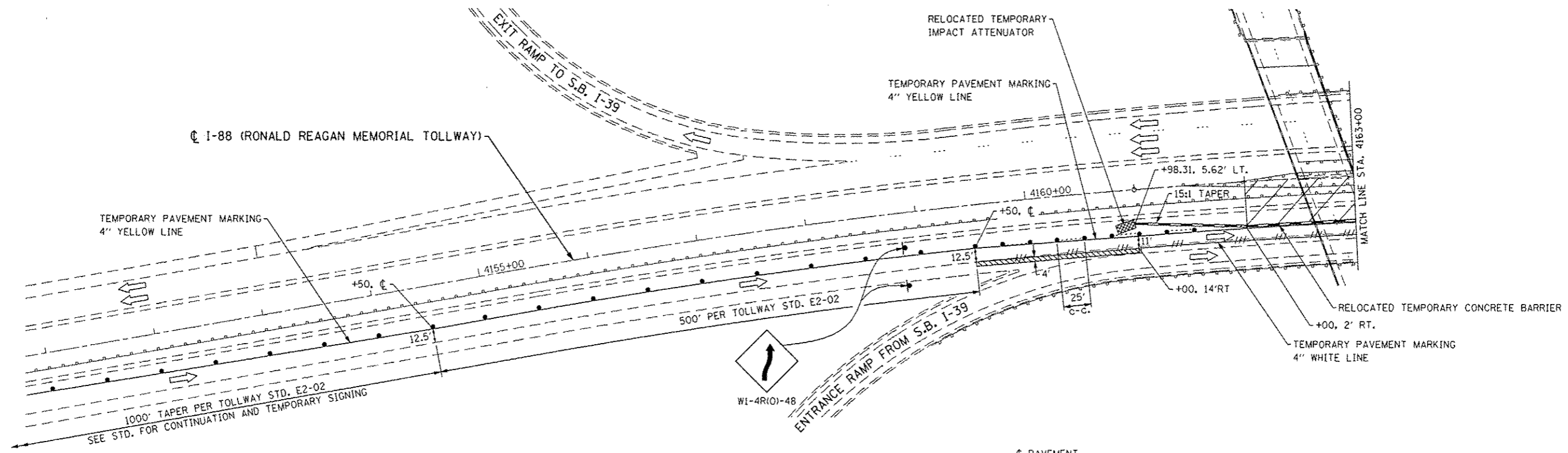
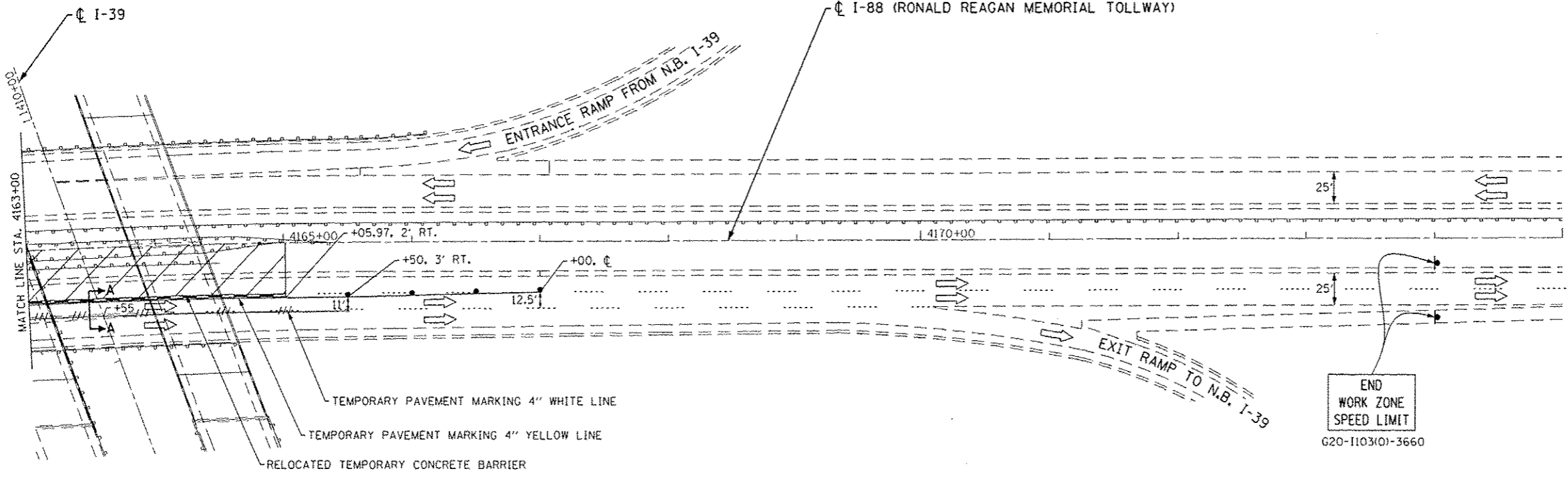


DATE	
BY	
REVISION	
NO.	
DATE	
BY	
REVISION	
NO.	
DATE	
BY	
REVISION	
NO.	

DATE	
BY	
REVISION	
NO.	
DATE	
BY	
REVISION	
NO.	
DATE	
BY	
REVISION	
NO.	



SECTION A-A



**LEGEND**

- PROPOSED HMA SURFACE REMOVAL, 2" HMA SURFACE COURSE, MIX 'C', N50, 2"
- TEMPORARY CONCRETE BARRIER
- IMPACT ATTENUATOR, TEMPORARY (NON-REDIRECTIVE) TEST LEVEL 3
- TRAFFIC FLOW ARROW
- WORK ZONE
- DRUMS SPACED AT INTERVALS AS NOTED
- PAVEMENT MARKING REMOVAL
- TEMPORARY SIGN WITH MESSAGE