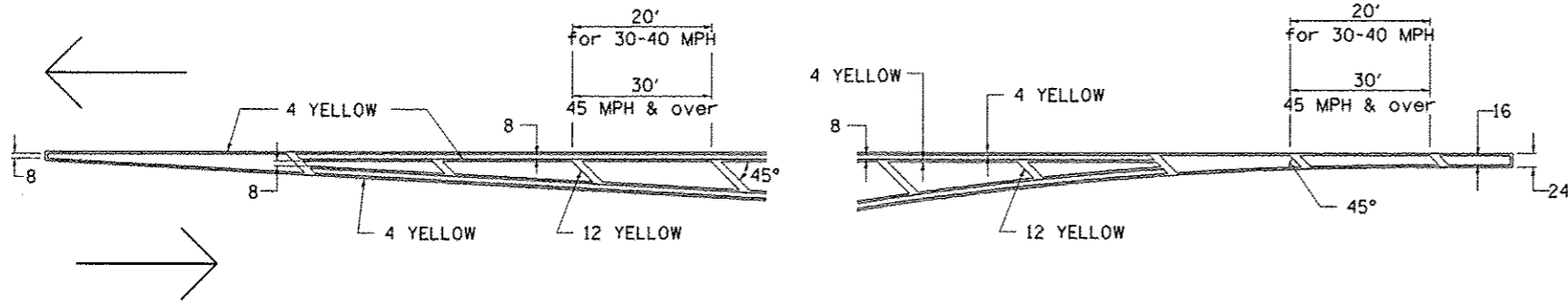
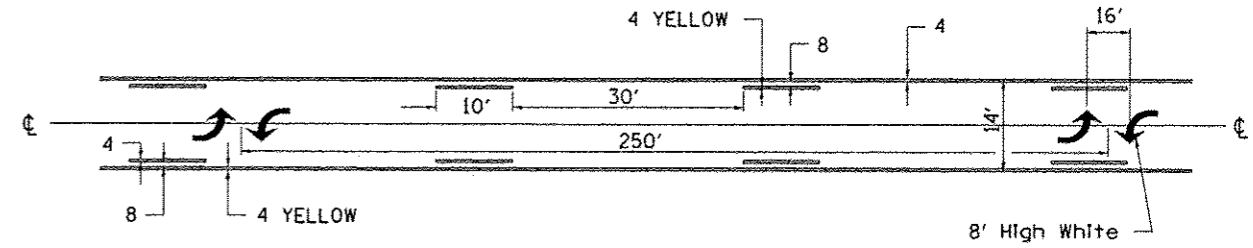


TYPICAL PAVEMENT MARKINGS

TYPICAL PAVEMENT MARKING FOR FLUSH MEDIAN AT LEFT TURN LANE

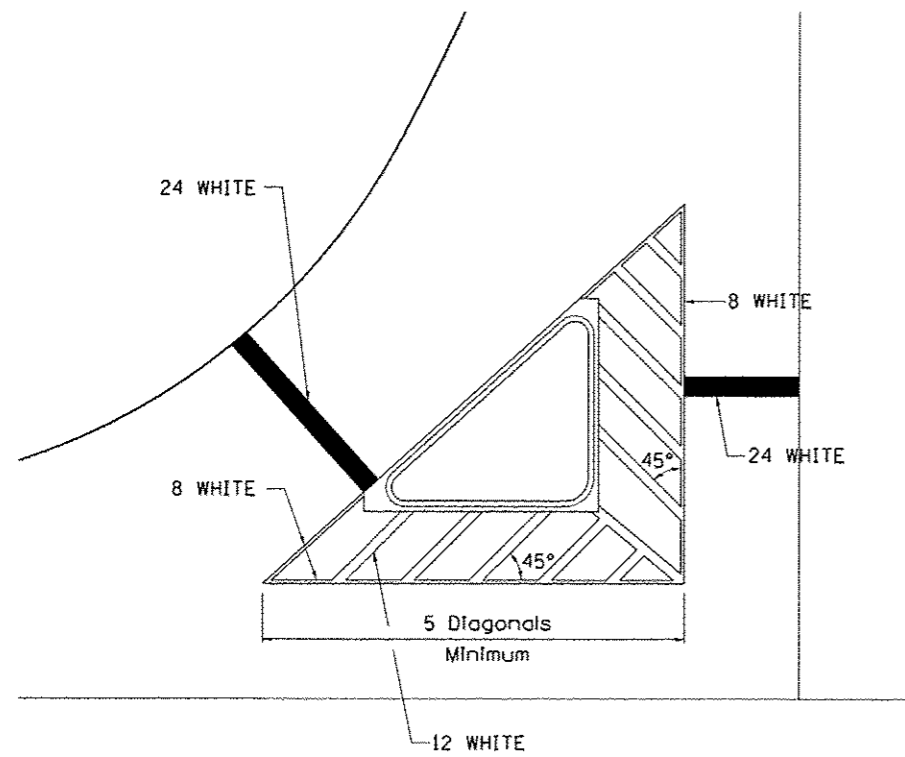


MEDIAN PAVEMENT MARKING

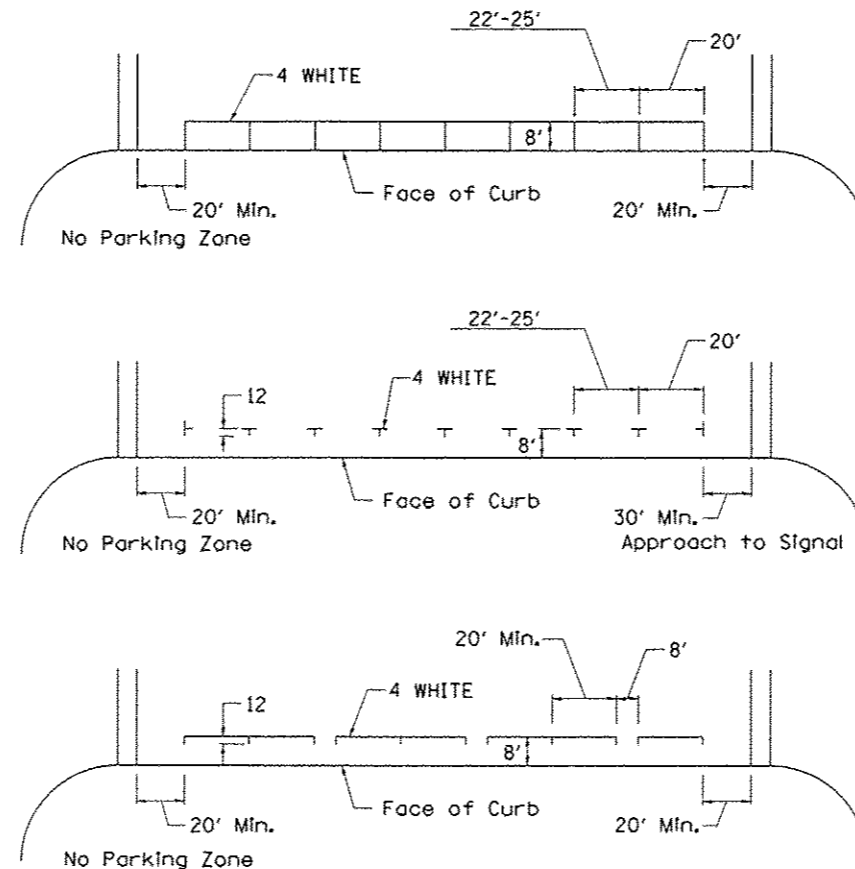


•• ALL DIMENSIONS ARE IN INCHES UNLESS OTHERWISE NOTED.

TYPICAL ISLAND OFFSET SHOULDER WIDTH

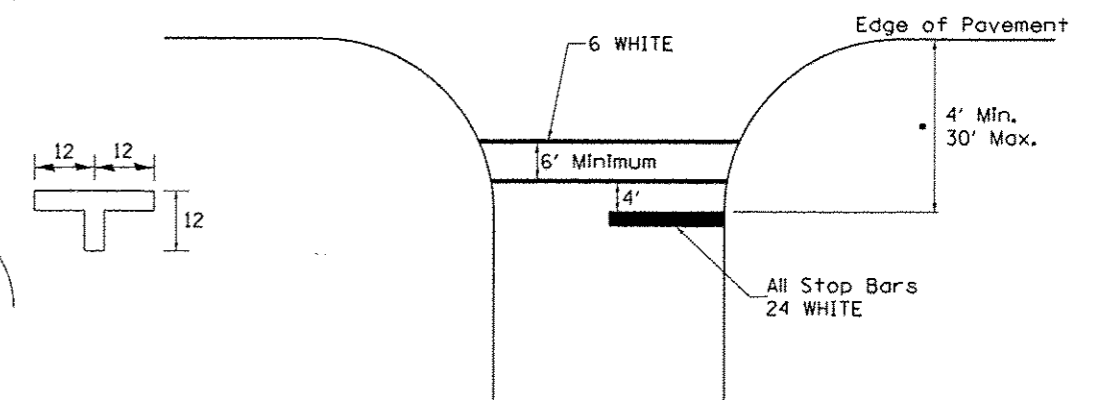


TYPICAL PARKING SPACING



STANDARD CROSSWALK MARKING

See Schedules for Locations



• Distance to the nearest edge of the intersecting roadway in the absence of a marked crosswalk.

FILE NAME I:\182700-1-39 bridge painting\CADD Sheets\0264J27-sh1-STD41.dgn	USER NAME IGOT	DESIGNED -	REVISED 10-18-11	STATE OF ILLINOIS DEPARTMENT OF TRANSPORTATION	REGION 2 / DISTRICT 2 STANDARD			F.A.P. R.T.E. 39	SECTION D2 BRIDGE PAINTING 2013-2	COUNTY OGLE	TOTAL SHEETS 26	SHEET NO. 23
PLOT SCALE 100,0000 / IN.	CHECKED -	REVISOR -	DATE -					SCALE	SHEET NO.	OF SHEETS	STA.	TO STA.
PLOT DATE 9/6/2012	DATE -	REVISOR -	DATE -		FED. ROAD DIST. NO. 1 ILLINOIS FED. AID PROJECT							
TYPICAL PAVEMENT MARKINGS SHEET 1 OF 3												