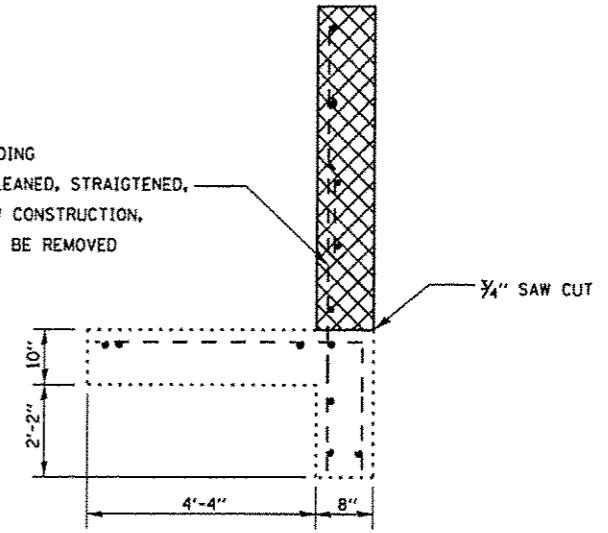
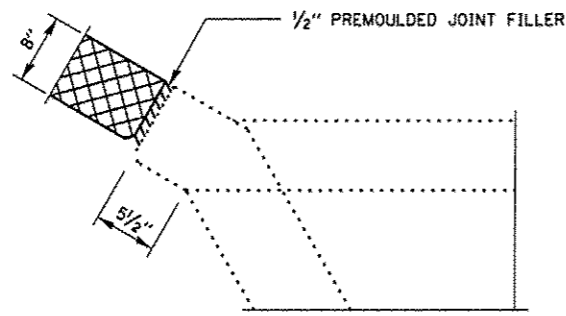


PLAN

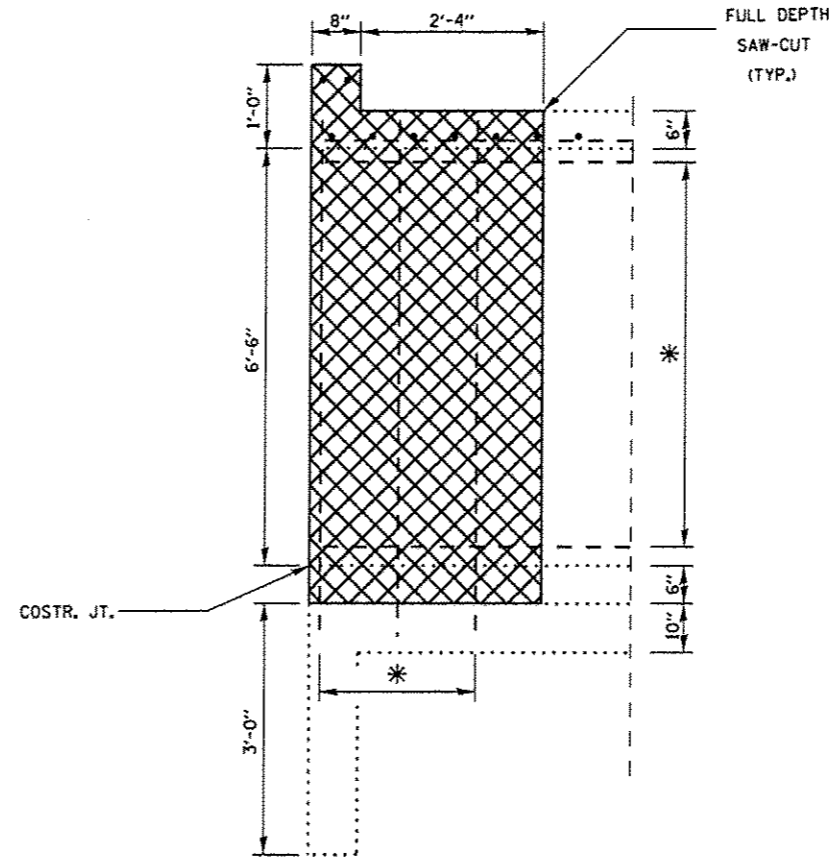
EXISTING VERTICAL REBAR EXTENDING INTO REMOVAL AREA SHALL BE CLEANED, STRAIGHTENED, AND INCORPORATED INTO THE NEW CONSTRUCTION, ALL OTHER REINFORCEMENT SHALL BE REMOVED



SECTION A-A



CORNER DETAIL (TYPICAL)



HEADWALL / BARREL REMOVAL DETAIL

* EXIST. REINFORCEMENT BARS IN BARREL SHALL BE CUT OFF FLUSH WITH REMAINING CONCRETE FACE



BILL OF MATERIAL

ITEM	UNIT	TOTAL
CONCRETE REMOVAL	CU YD	8.5