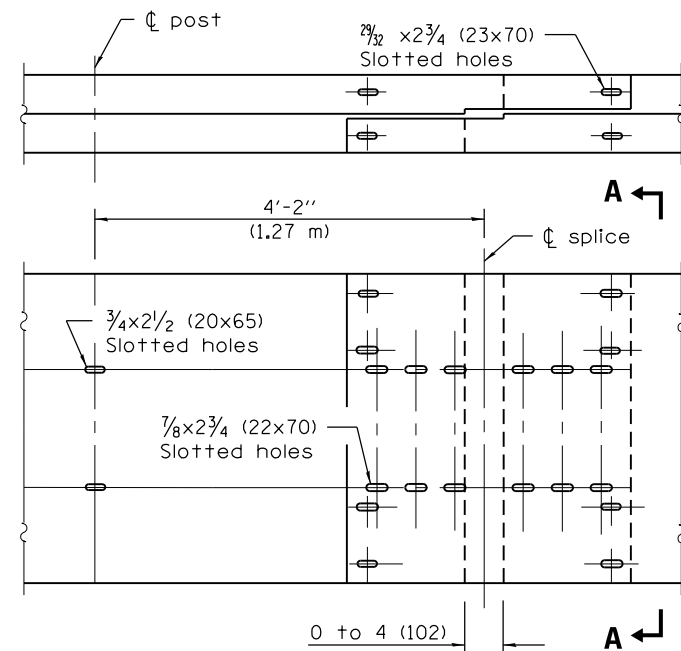
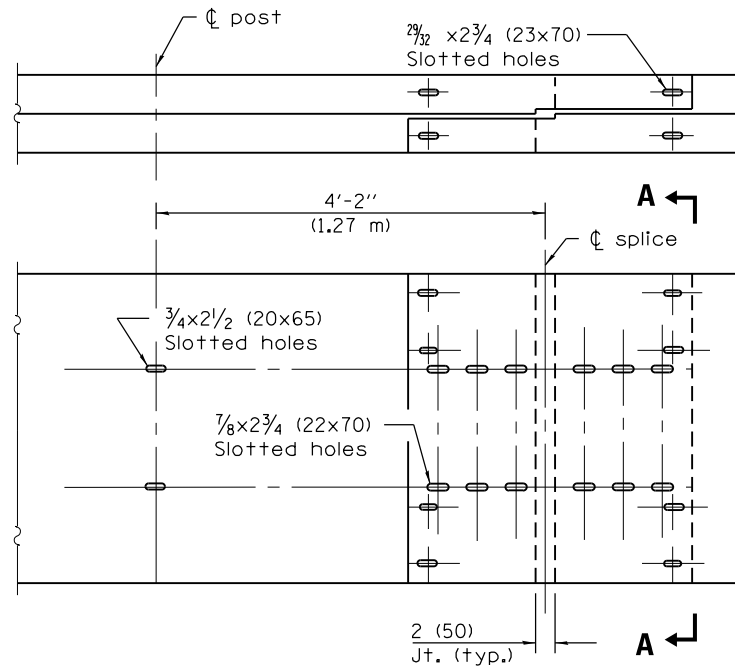


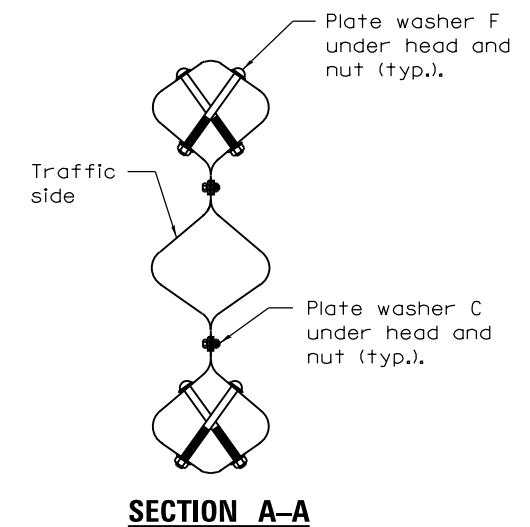
**TUBULAR THRIE BEAM FOR LAP SPLICE JOINT**



**LAP EXPANSION SPLICE JOINT**



**LAP SPLICE JOINT**



FILE NAME =	USER NAME = corcoranlm	DESIGNED -	REVISED -
c:\pwork\work\pwork\corcoranlm\d0329287\066C76-sht-details.dgn		DRAWN -	REVISED -
Default	PLOT SCALE = 100.0000' / 1in.	CHECKED -	REVISED -
	PLOT DATE = 3/25/2013	DATE -	REVISED -

STATE OF ILLINOIS  
DEPARTMENT OF TRANSPORTATION

TUBULAR THRIE BEAM RETROFIT RAIL FOR BRIDGES		F.A. RTE.	SECTION	COUNTY	TOTAL SHEETS	SHEET NO.
SCALE:		SHEET 2	OF 3	SHEETS	STA.	TO STA.

• D-3 HIGHWAY DAMAGE REPAIR 2014						
F.A. RTE.	SECTION	COUNTY	TOTAL SHEETS	SHEET NO.		
VAR.	*	VAR.	43	11		
				CONTRACT NO. 66C76		
ILLINOIS FED. AID PROJECT						