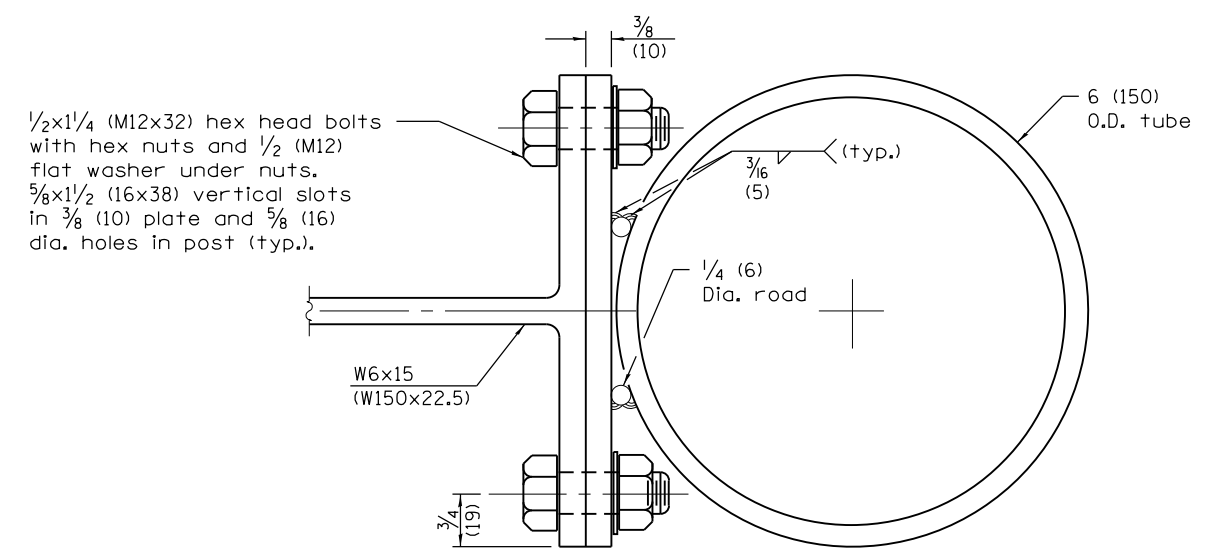
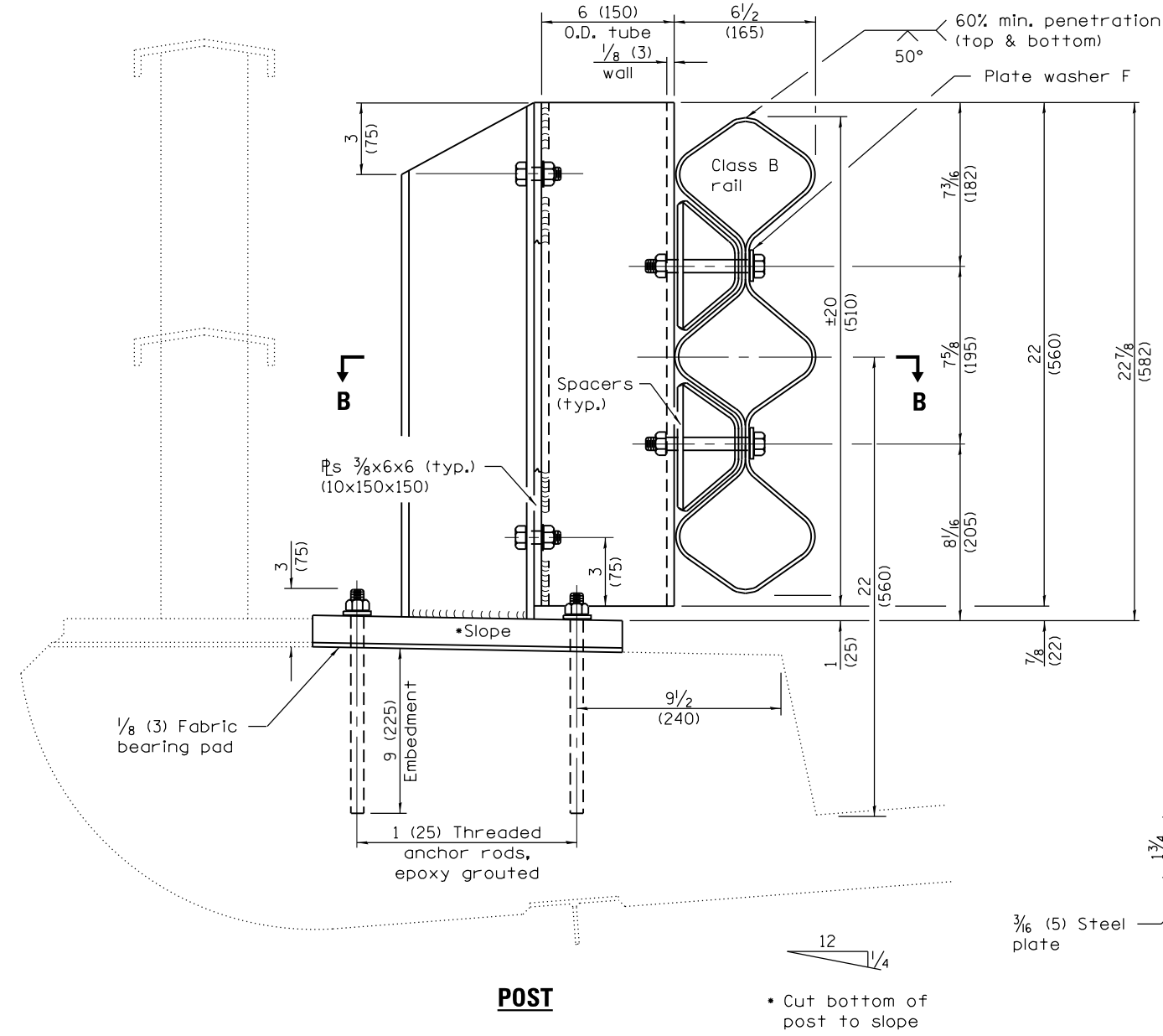


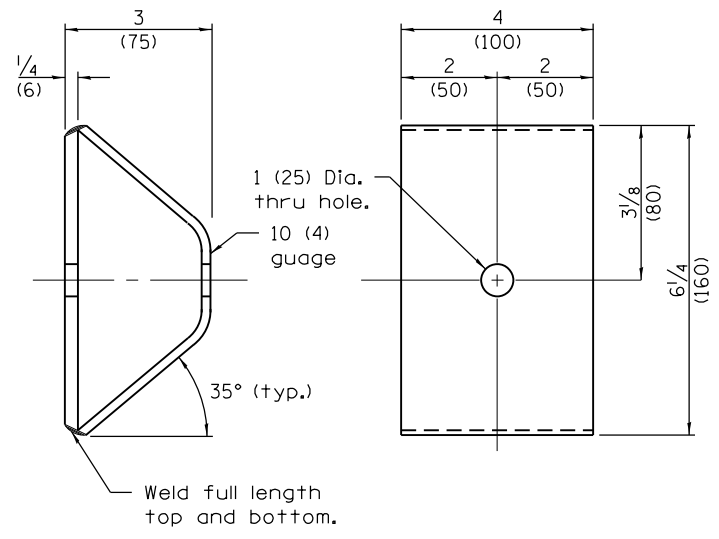
SECTION B-B



TUBE TO POST ATTACHMENT



POST



SPACER

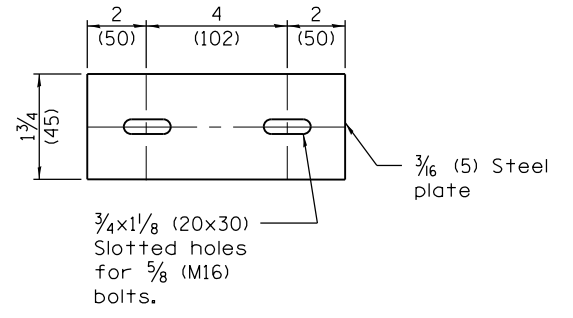


PLATE WASHER B

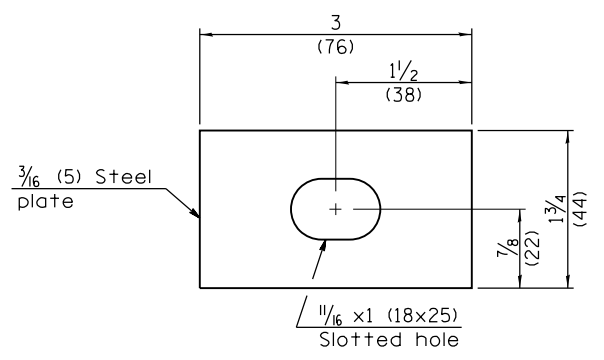


PLATE WASHER F

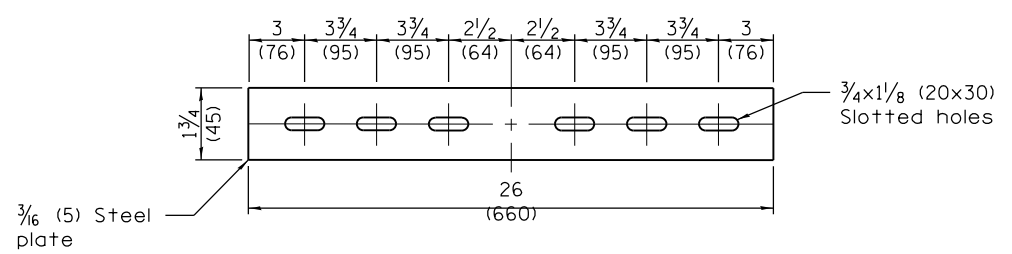


PLATE WASHER C

FILE NAME =	USER NAME = corcoranlm	DESIGNED -	REVISED -	STATE OF ILLINOIS DEPARTMENT OF TRANSPORTATION	TUBULAR THRIE BEAM RETROFIT RAIL FOR BRIDGES	F.A. RTE.	SECTION	COUNTY	TOTAL SHEETS	SHEET NO.	
Default	Plot Date = 3/25/2013	DRAWN -	REVISED -			VAR.	*	VAR.	43	12	
		CHECKED -	REVISED -			CONTRACT NO. 66C76					
		DATE -	REVISED -			ILLINOIS FED. AID PROJECT					