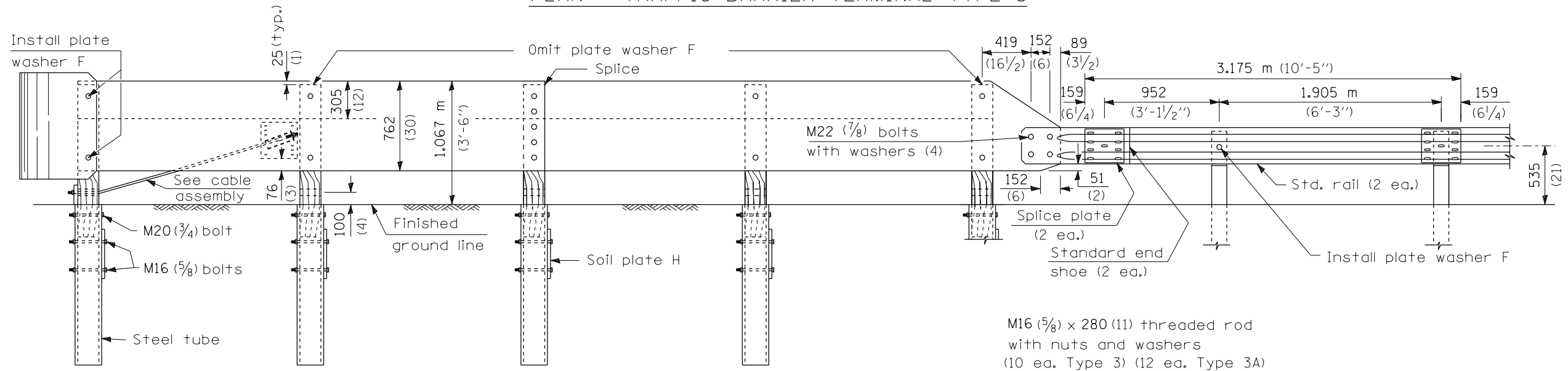
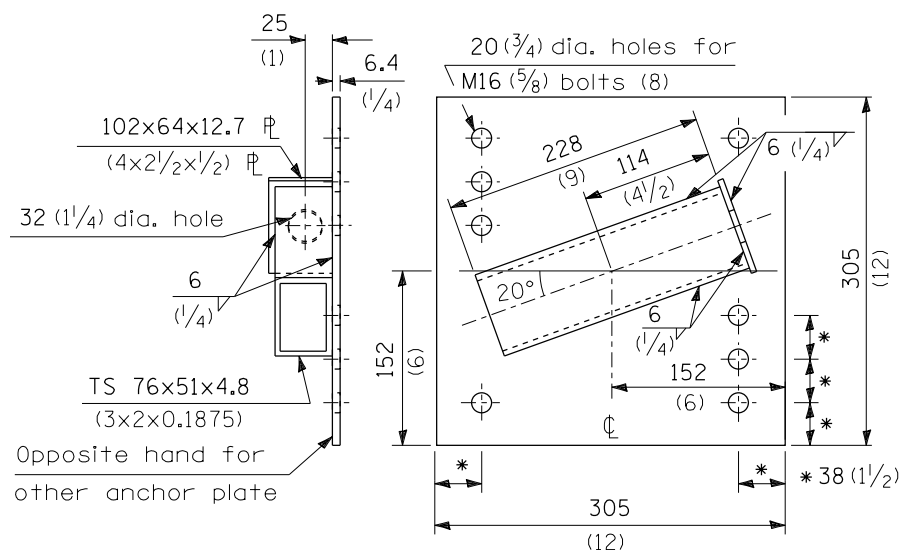


PLAN - TRAFFIC BARRIER TERMINAL TYPE 3

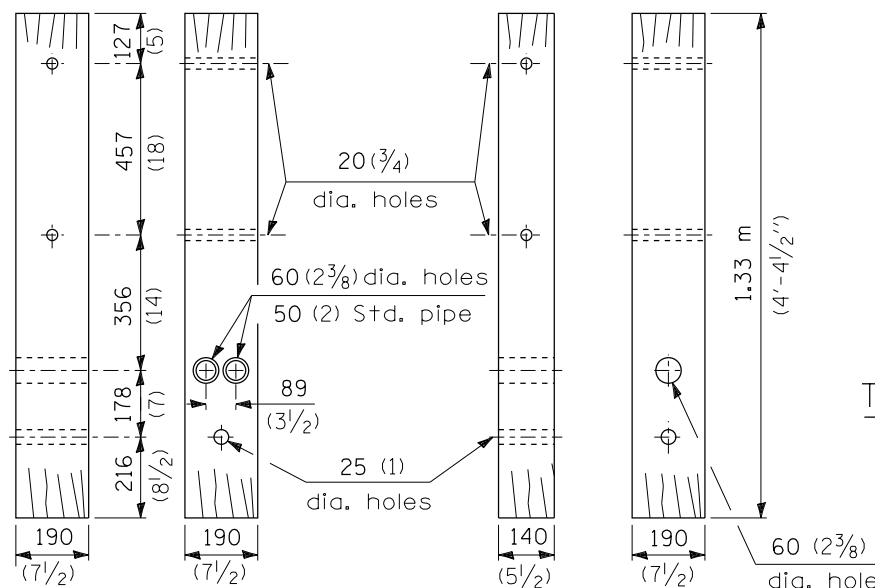


ELEVATION



ANCHOR PLATE R

(1 ea. lt. hd. & 1 ea. rt. hd.)



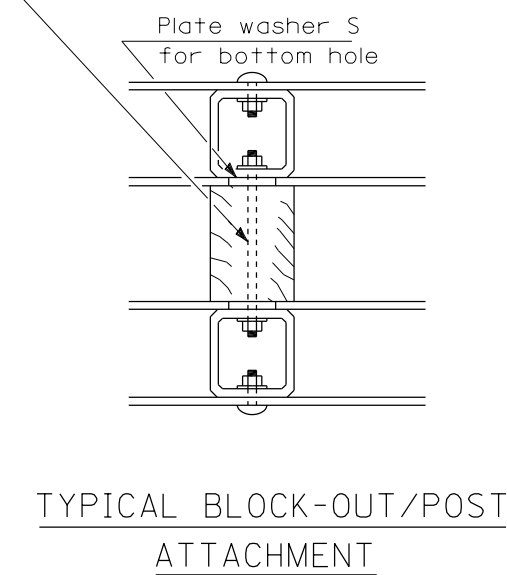
END TERMINAL POST

(1 ea.)

TERMINAL POST

(4 ea. Type 3)
(5 ea. Type 3A)

M16 (5/8) x 280 (11) threaded rod with nuts and washers (10 ea. Type 3) (12 ea. Type 3A)



TYPICAL BLOCK-OUT/POST ATTACHMENT

GENERAL NOTES

All holes in Posts, Block-Outs and Plates shall be 20 mm (3/4") diameter unless otherwise noted.

See Standard 630001 for details of guardrail elements not shown.

Unless otherwise shown all bolts and nuts shall be Standard Post and Splice Bolts and Nuts (See Standard 630001).

Block-Out AA shall be used at all locations unless otherwise noted.

DETAIL INCLUDED FOR REPAIR ONLY

All dimensions are in millimeters (inches) unless otherwise shown.

D-3 HIGHWAY DAMAGE REPAIR 2014

| | | | | | | | | | | | | |
|---|------------------------|------------|-----------|---|---|--|--|---------------------|----------|------------------|--------------|-----------|
| FILE NAME = | USER NAME = corcoranlm | DESIGNED - | REVISED - | STATE OF ILLINOIS DEPARTMENT OF TRANSPORTATION | TRAFFIC BARRIER TERMINAL TYPE 3 & 3A | | | F.A. RTE. | SECTION | COUNTY | TOTAL SHEETS | SHEET NO. |
| es:\pw\work\p\idat\corcoranlm\d0329287\066c76-sht-details.dgn | | DRAWN - | REVISED - | | | | | VAR. | * | VAR. | 43 | 15 |
| PLOT SCALE = 100.0000' / in. | | CHECKED - | REVISED - | | | | | CONTRACT NO. 66C76 | | | | |
| PLOT DATE = 3/25/2013 | | DATE - | REVISED - | | | | | FED. ROAD DIST. NO. | ILLINOIS | FED. AID PROJECT | | |