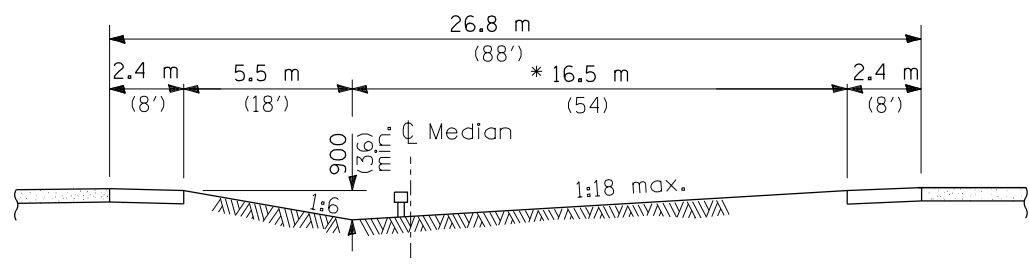
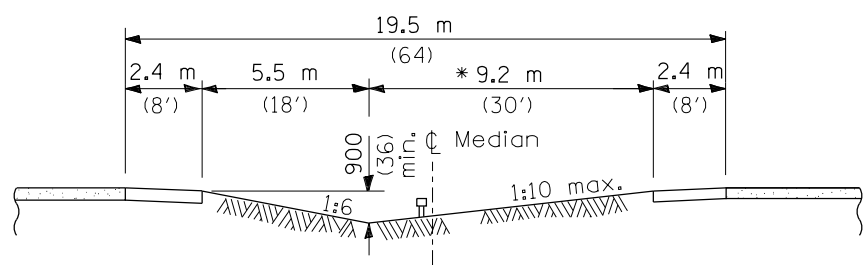


RETURNED END DETAIL

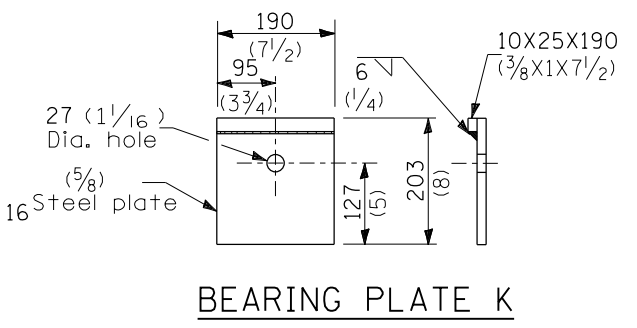
* Adjust this dimension when the width of the shoulders is other than 2.4 m (8').



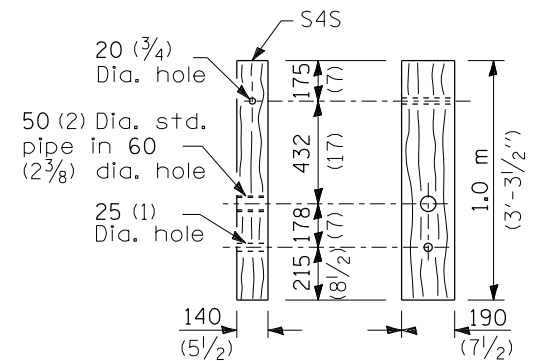
SECTION A-A



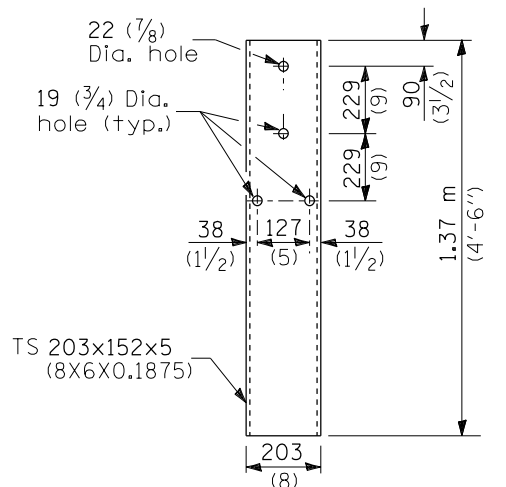
SECTION B-B



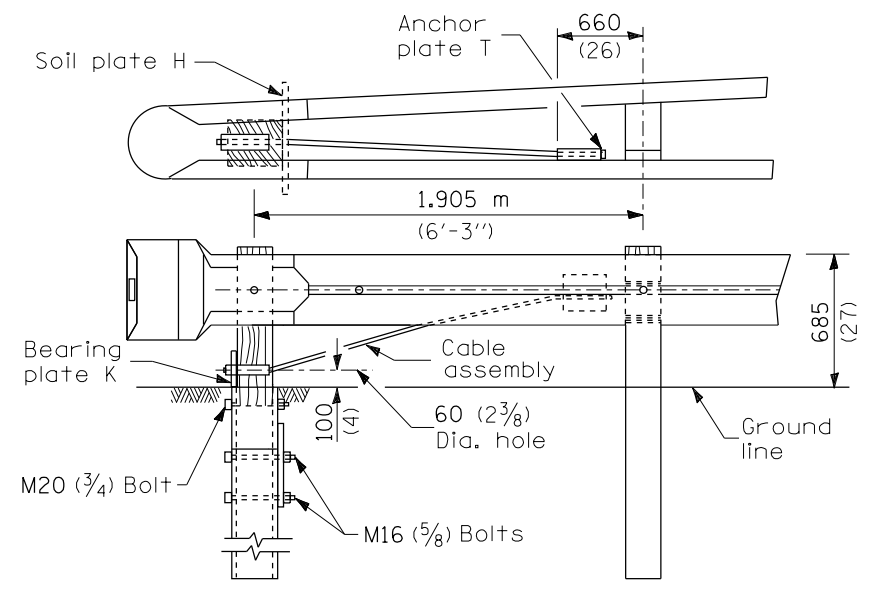
BEARING PLATE K



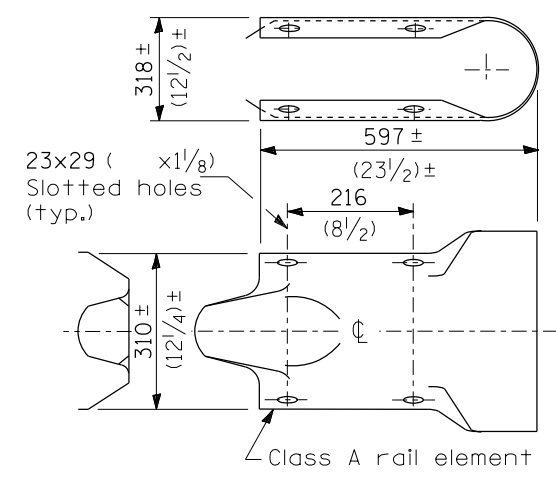
WOOD BREAKAWAY POST



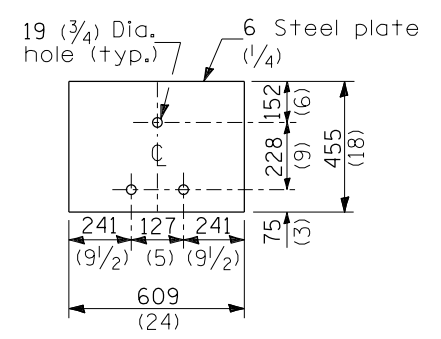
STEEL TUBE



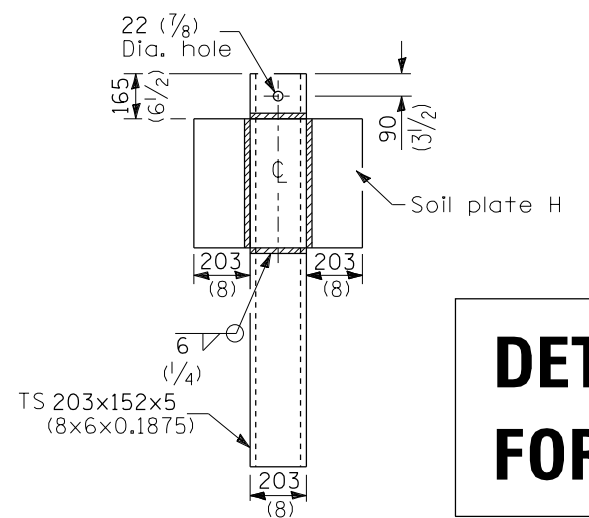
WOOD POST TUBULAR STEEL FOUNDATION



RETURN END SECTION



SOIL PLATE H



ALTERNATE SOIL PLATE CONNECTION

DETAIL INCLUDED FOR REPAIR ONLY

All dimensions are in millimeters (inches) unless otherwise shown.

FILE NAME =	USER NAME = corcoranlm	DESIGNED -	REVISED -	STATE OF ILLINOIS DEPARTMENT OF TRANSPORTATION	TRAFFIC BARRIER TERMINAL TYPE 4				F.A. RTE.	SECTION	COUNTY	TOTAL SHEETS	SHEET NO.
es:\pw_work\pwidot\corcoranlm\d0329287\066676-sht-details.dgn		DRAWN -	REVISED -						VAR.	*	VAR.	43	19
PLOT SCALE = 100.0000' / 1"		CHECKED -	REVISED -						CONTRACT NO. 66C76				
PLOT DATE = 3/25/2013		DATE -	REVISED -						FED. ROAD DIST. NO.	ILLINOIS	FED. AID PROJECT		

D-3 HIGHWAY DAMAGE REPAIR 2014