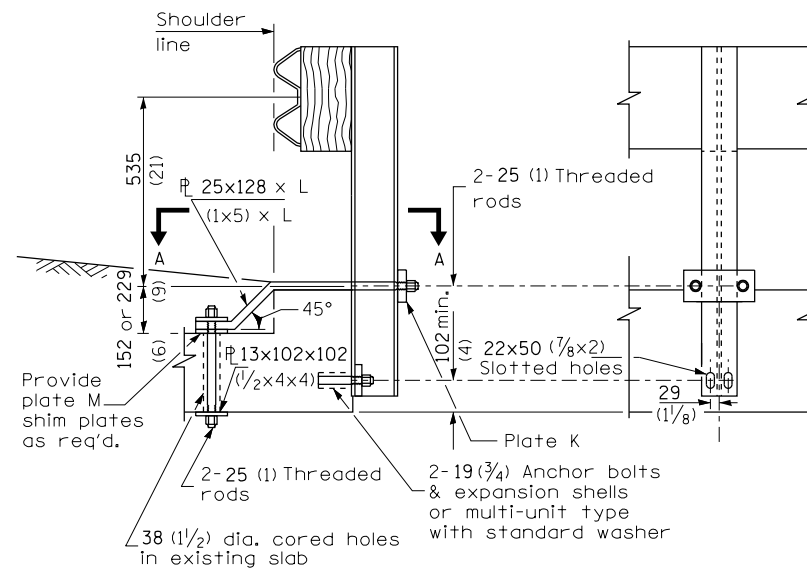


CROSS SECTION

ELEVATION

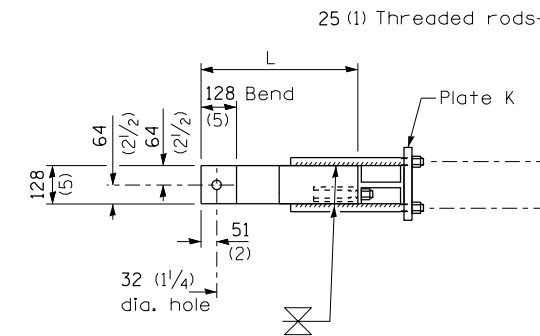
CONDITION $H > 450$ (18)



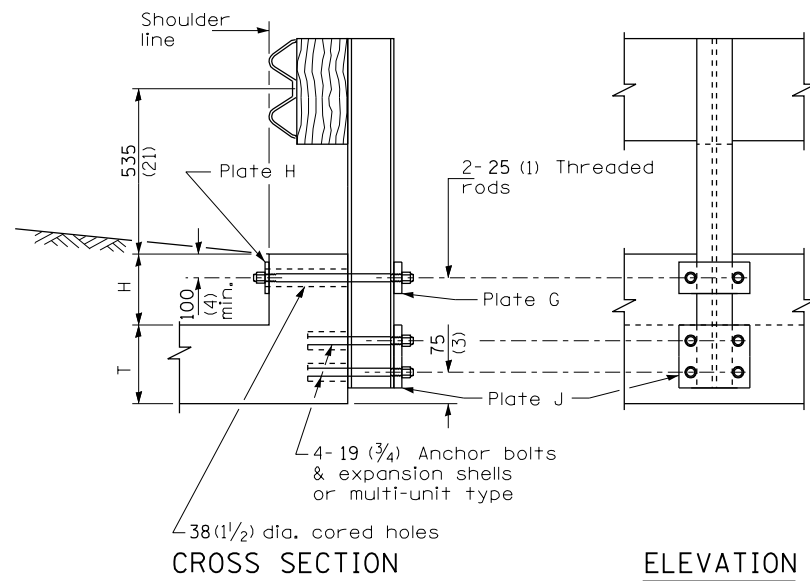
CROSS SECTION

ELEVATION

CASE II
MOUNTED ON TOP HEADWALL
WITH SQUARE TIP



SECTION A-A



CROSS SECTION

ELEVATION

CONDITION $H < 450$ (18) & $H+T \geq 510$ (20)

CASE I
MOUNTED ON
RAISED HEADWALL

PLATE DIMENSIONS								
Type	A	B	C	D	E	F	Hole Dia.	Thick-ness
G	230 (9)	100 (4)	40 (1/2)	150 (6)	75 (3)	50 (2)	29 (1/8)	25 (1)
H	230 (9)	100 (4)	40 (1/2)	150 (6)	75 (3)	50 (2)	29 (1/8)	13 (1/2)
J	230 (9)	126 (5)	40 (1/2)	150 (6)	75 (3)	31 (1/4)	22 (7/8)	25 (1)
K	230 (9)	100 (4)	40 (1/2)	150 (6)	75 (3)	50 (2)	29 (1/8)	32 (1/4)
M	100 (4)	100 (4)	50 (2)	N/A	N/A	50 (2)	32 (1/8)	13 (1/2)

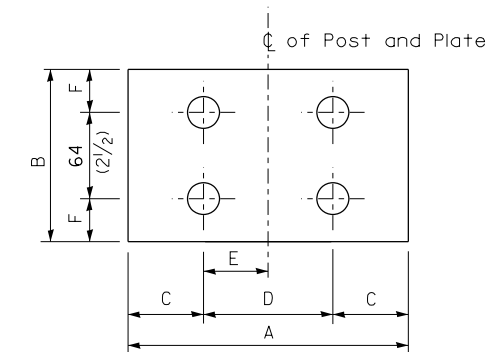


PLATE TYPE J

GENERAL NOTES

Except as noted, dimensions and notes specified for case II, III, and IV are the same as specified for case I.

For details of guardrail elements not shown, see Standard 630001.

All threaded rods shall be installed with heavy hex nuts and standard washers.

All dimensions are in millimeters (inches) unless otherwise shown.

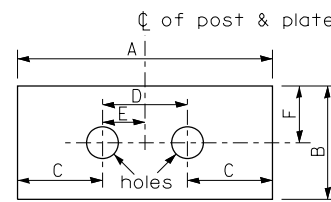


PLATE TYPES G, H & K

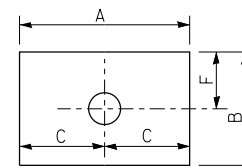


PLATE TYPE M

FILE NAME =	USER NAME = corcoranlm	DESIGNED -	REVISED -
ct:\pw\work\p\id\corcoranlm\d0329287\066676-sht-details.dgn		DRAWN -	REVISED -
PLOT SCALE = 100.0000' / 1in.		CHECKED -	REVISED -
PLOT DATE = 3/25/2013		DATE -	REVISED -

STATE OF ILLINOIS
DEPARTMENT OF TRANSPORTATION

PRE-MGS EFFECTIVE 4-1-06
GUARDRAIL MOUNTED ON EXISTING CULVERTS
STANDARD 630101-06

(Sheet 1 of 2)

SCALE: SHEET NO. OF SHEETS STA. TO STA.

• D-3 HIGHWAY DAMAGE REPAIR 2014				
F.A. RTE.	SECTION	COUNTY	TOTAL SHEETS	SHEET NO.
VAR.	*	VAR.	43	27
			CONTRACT NO. 66C76	
FED. ROAD DIST. NO. ILLINOIS FED. AID PROJECT				