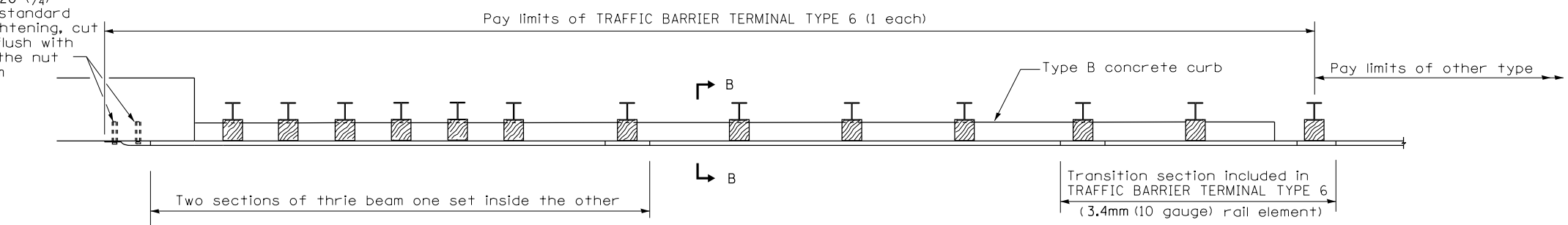
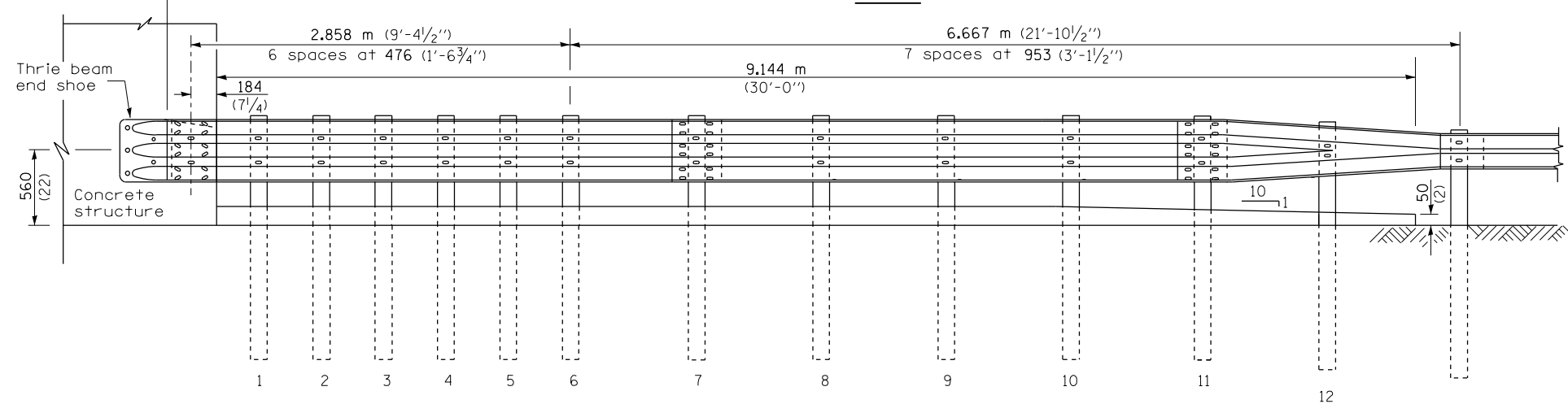


5 Epoxy grouted M20 (3/4") anchor bolts with standard washers. After tightening, cut the anchor bolts flush with nuts, and damage the nut to prevent it from loosening.

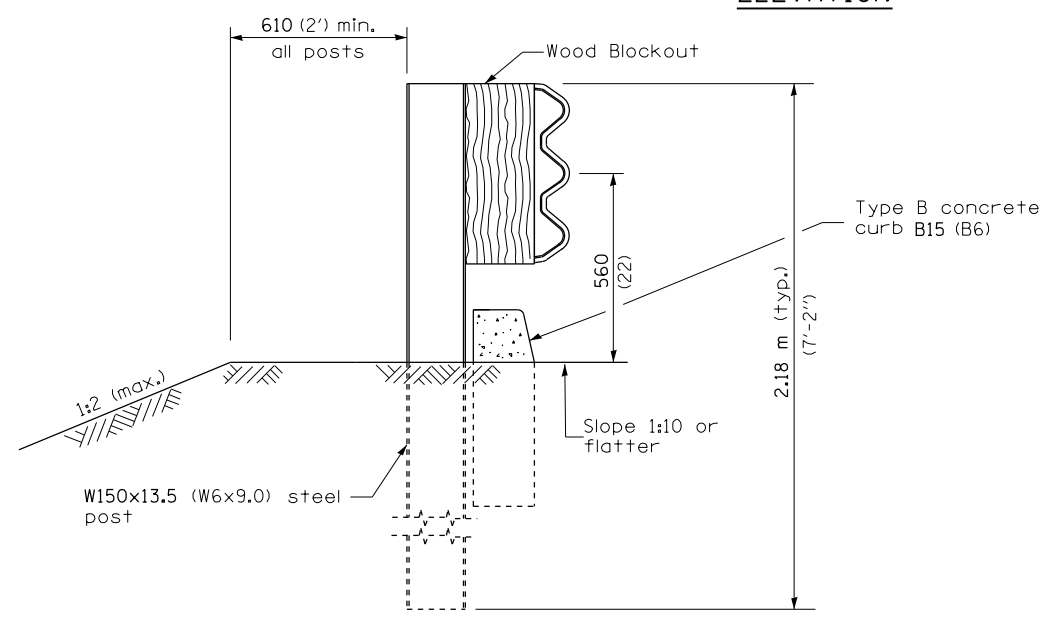
OTHER CONCRETE STRUCTURE



PLAN



ELEVATION



SECTION B-B

• D-3 HIGHWAY DAMAGE REPAIR 2014

FILE NAME =	USER NAME = corcoranlm	DESIGNED -	REVISED -
et:\pw\work\p\idot\corcoranlm\d0329287\066676-sht-details.dgn		DRAWN -	REVISED -
	PLOT SCALE = 100.0000' / in.	CHECKED -	REVISED -
	PLOT DATE = 3/25/2013	DATE -	REVISED -

STATE OF ILLINOIS  
DEPARTMENT OF TRANSPORTATION

PRE-MGS EFFECTIVE 4-1-06  
TRAFFIC BARRIER TERMINAL, TYPE 6  
STANDARD 631031-05

Sheet 2 of 3

SCALE:	SHEET NO.	OF SHEETS	STA.	TO STA.
--------	-----------	-----------	------	---------

F.A. RTE.	SECTION	COUNTY	TOTAL SHEETS	SHEET NO.
VAR.	*	VAR.	43	34
FED. ROAD DIST. NO.			ILLINOIS FED. AID PROJECT	
			CONTRACT NO. 66C76	