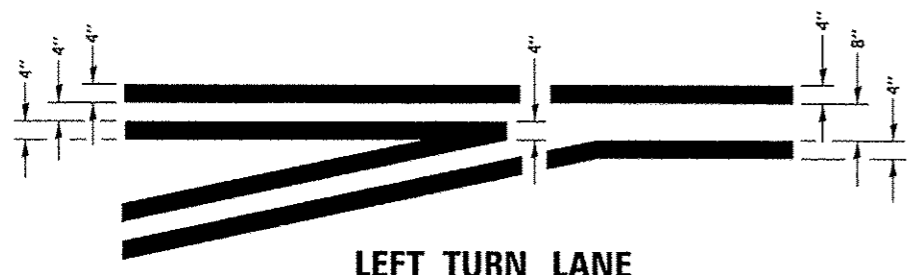
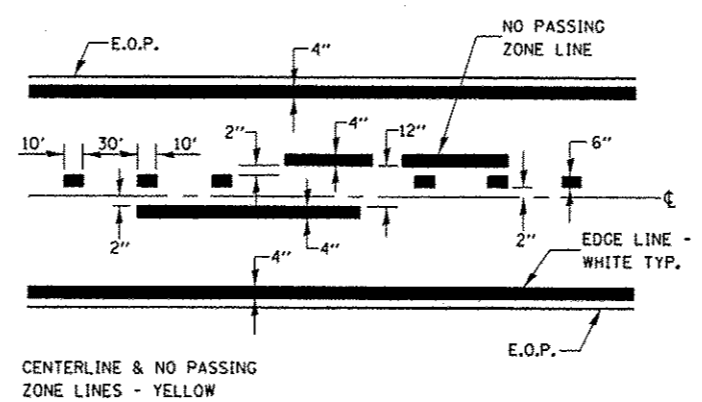


LEFT TURN LANE WITH APPROACH MEDIAN

ADVANCE AND INTERSECTION LANE DIVIDER LINES

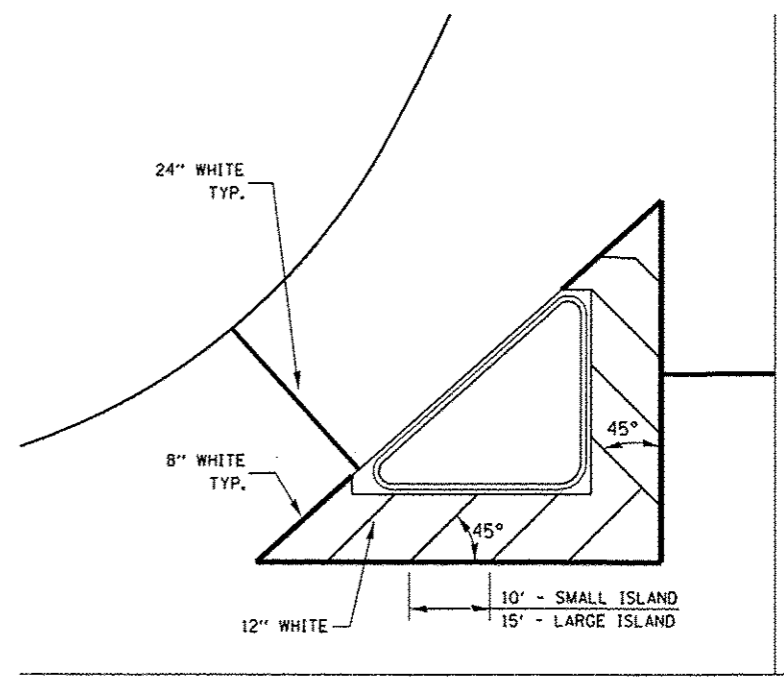


LEFT TURN LANE TYPICAL APPLICATION



CENTERLINE & NO PASSING ZONE LINES - YELLOW
EDGE LINE - WHITE TYP.

PAVEMENT MARKING 2-LANE ROAD



TYPICAL ISLAND

FILE NAME =	USER NAME = potelyj	DESIGNED - YJP	REVISED -
ci:\pw\work\pavdot\potelyj\18033192\0366035-shr-details.dgn		DRAWN - YJP	REVISED -
	PLOT SCALE = 100.0000' / 1"	CHECKED - RW	REVISED -
	PLOT DATE = 4/3/2013	DATE -	REVISED -

STATE OF ILLINOIS
DEPARTMENT OF TRANSPORTATION

TYPICAL PAVEMENT MARKING

SCALE: SHEET 1 OF 1 SHEETS STA. TO STA.

F.A.P. RTE.	SECTION	COUNTY	TOTAL SHEETS	SHEET NO.
332	D3 PAVEMENT PATCHING 2014-1	KANKAKEE	12	12
ILLINOIS FED. AID PROJECT			CONTRACT NO. 66C85	