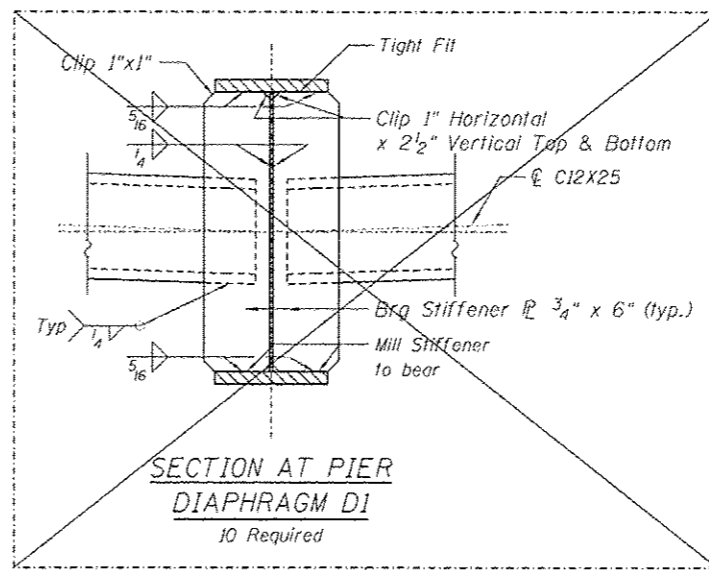
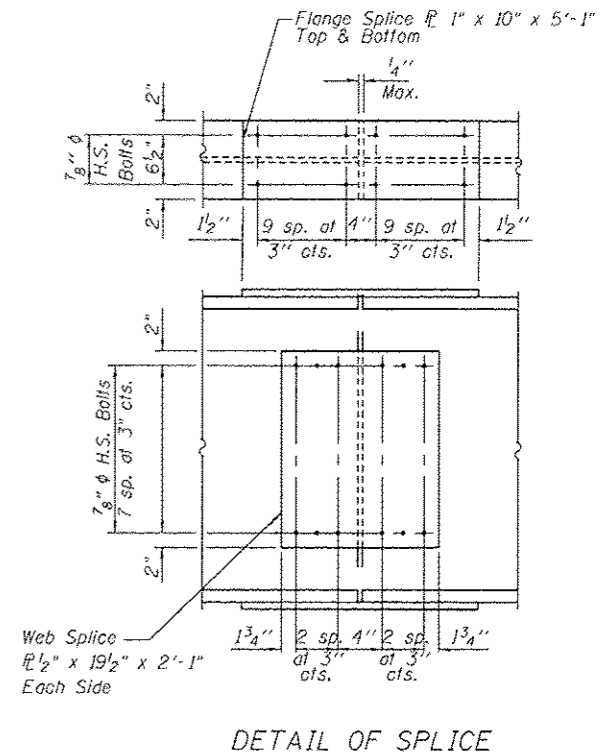


DIAPHRAGM D
1 5/16" Required
Note:
Two hardened washers required for each set of oversized holes.



* Alternate C12x30 channels are permitted to facilitate material acquisition. Calculated weight of structural steel is based on the lighter section. The alternate, if utilized shall be provided at no extra cost to the Department.



Notes:
Anchor bolts shall be ASTM F1554 (or an Engineer-approved alternate material) of the grade(s) and diameter(s) specified.
ASTM A 307 Grade C anchor bolts may be used in lieu of ASTM F1554 Grade 36 (Fy=36 ksi). The corresponding specified grade of AASHTO M31M anchor bolts may be used in lieu of ASTM F1554.
Anchor bolts at fixed bearings may be either cast in place or installed in holes drilled after the supported member is in place.
Drilled and set anchor bolts shall be installed according to Article 521.06 of the Standard Specifications.
The structural steel plates of the Bearing Assembly shall conform to the requirements of AASHTO M 270 Grade 50W.
Two 1/8 in. adjusting shims shall be provided for each bearing in addition to all other plates of shims and placed as shown on bearing details.

BILL OF MATERIAL

ITEM	UNIT	TOTAL
Anchor Bolts, 1"	EACH	24
Anchor Bolts, 1 1/4"	EACH	24
Stud Shear Connectors	EACH	4,824

MAIL BY 9 OVER MID CREEK/CIVIL/CADD/Structural/Steel/Plates/ASHTO/68757-017-steel.dwg



USER NAME: gvm
FILE NAME: 0460797-017-steel.dwg
PLOT SCALE: 0.1/800 1/1 in.
PLOT DATE: 5/31/2013

DESIGNED: OY
CHECKED: DA
DRAWN: CM
CHECKED: JB

REVISED: 11/6/5/2013 OY

STATE OF ILLINOIS
DEPARTMENT OF TRANSPORTATION

STEEL DETAILS
STRUCTURE NO. 090 - 0178

SHEET NO. 517 OF 526 SHEETS

F.A. RTE.	SECTION	COUNTY	TOTAL SHEETS	SHEET NO.
693	(119B) BR	TAZEWELL	80	57
				CONTRACT NO. 68757
ILLINOIS FED. AID PROJECT				