

Notes:

1. All flange and web splice plates, except filler plates, shall be M270 Grade SOW and meet notch toughness requirements.
2. Load carrying components designated "NTR" shall conform to the Impact Testing Requirements, Zone 2.
3. All beams shall be M270 Grade SOW.

4. For Section A-A see sheet S17 of S26.
5. Work this sheet with sheet S17 of S26.
6. All diaphragms shall be installed as steel is erected and secured with erection pins and bolts except as otherwise noted. Individual diaphragms at supports may be temporarily disconnected to install bearing anchor rods.

MAIL RT. 9 OVER M.D. GREENE CIVIL 6000 Shasta Street - 3rd Fl. Pl. 60604 CHICAGO, IL 60634 (773) 467-0100 FAX (773) 467-0000 www.terraengineering.com



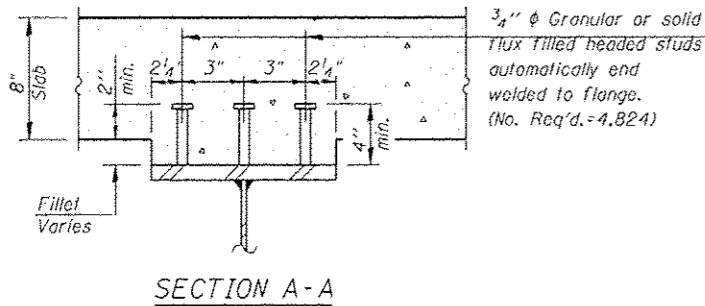
USER NAME : cvm	DESIGNED : OY	REVISED : 6/5/2013 OY
FILE NAME : 0460757-016-Framing.dgn	CHECKED : DA	REVISED :
PLOT SCALE : 0.008" / 1"	DRAWN : CM	REVISED :
PLOT DATE : 5/31/2013	CHECKED : JB	REVISED :

STATE OF ILLINOIS  
DEPARTMENT OF TRANSPORTATION

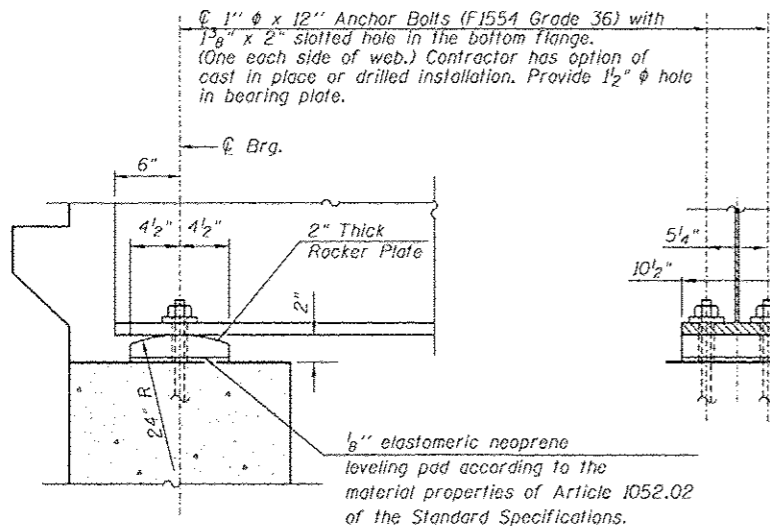
FRAMING PLAN  
STRUCTURE NO. 090 - 0178

SHEET NO. 516 OF 526 SHEETS

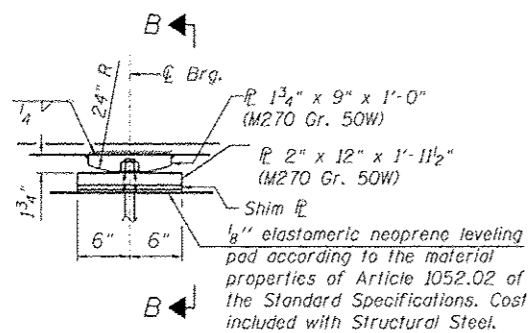
F.A. R.T.E.	SECTION	COUNTY	TOTAL SHEETS	SHEET NO.
693	(1198) BR	TAZEWELL	80	56
CONTRACT NO. 68757				
ILLINOIS FED. AID PROJECT				



SECTION A-A

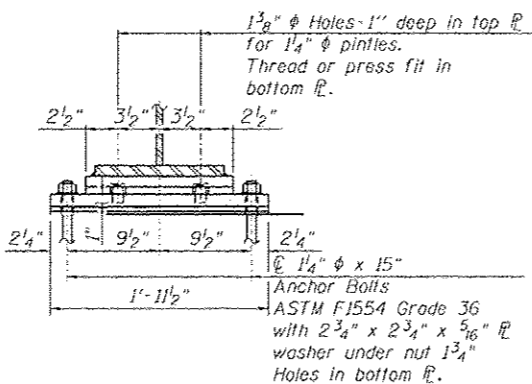


SECTION AT ABUTMENT

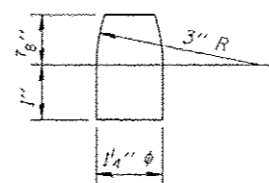


ELEVATION AT PIER

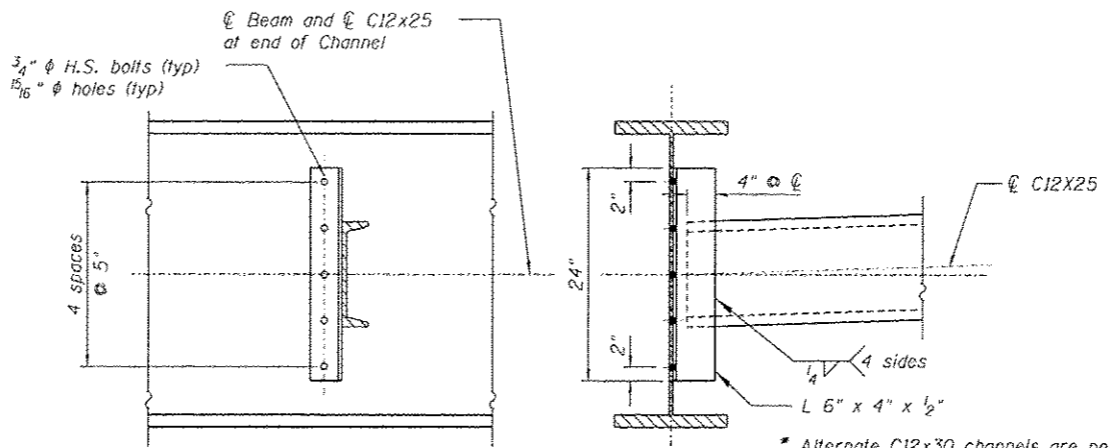
FIXED BEARING



SECTION B-B

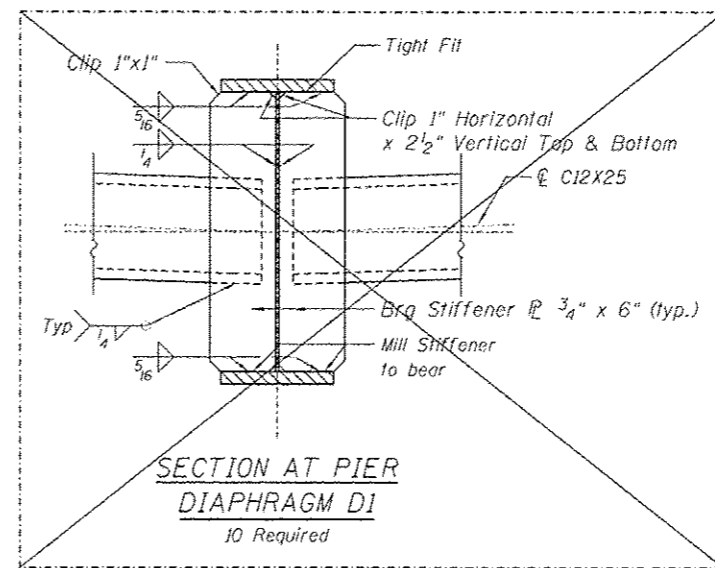


DETAIL OF PINTLE



DIAPHRAGM D

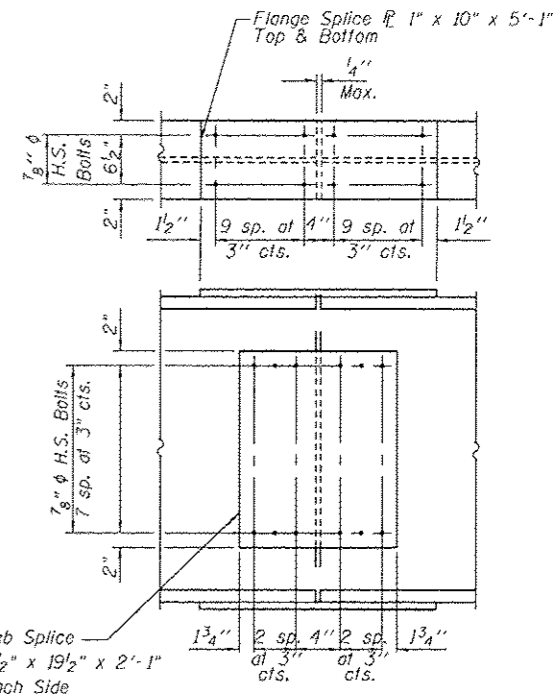
Note: 55 Required  
Two hardened washers required for each set of oversized holes.



SECTION AT PIER  
DIAPHRAGM D1

10 Required

\* Alternate C12x30 channels are permitted to facilitate material acquisition. Calculated weight of structural steel is based on the lighter section. The alternate, if utilized shall be provided at no extra cost to the Department.



DETAIL OF SPLICE

Notes:  
Anchor bolts shall be ASTM F1554 (or an Engineer-approved alternate material) of the grade(s) and diameter(s) specified.  
ASTM A 307 Grade C anchor bolts may be used in lieu of ASTM F1554 Grade 36 (Fy=36 ksi). The corresponding specified grade of AASHTO M31M anchor bolts may be used in lieu of ASTM F1554.

Anchor bolts at fixed bearings may be either cast in place or installed in holes drilled after the supported member is in place.

Drilled and set anchor bolts shall be installed according to Article 521.06 of the Standard Specifications.

The structural steel plates of the Bearing Assembly shall conform to the requirements of AASHTO M 270 Grade 50W.

Two 1/8 in. adjusting shims shall be provided for each bearing in addition to all other plates of shims and placed as shown on bearing details.

BILL OF MATERIAL

ITEM	UNIT	TOTAL
Anchor Bolts, 1"	EACH	24
Anchor Bolts, 1 1/4"	EACH	24
Stud Shear Connectors	EACH	4,824

MAIL: BT 9 OVER MID CREEK/CIVIL/CADD/Struct/Steel/Detail/Plan/ASHTO/0488753-217-steel.dwg