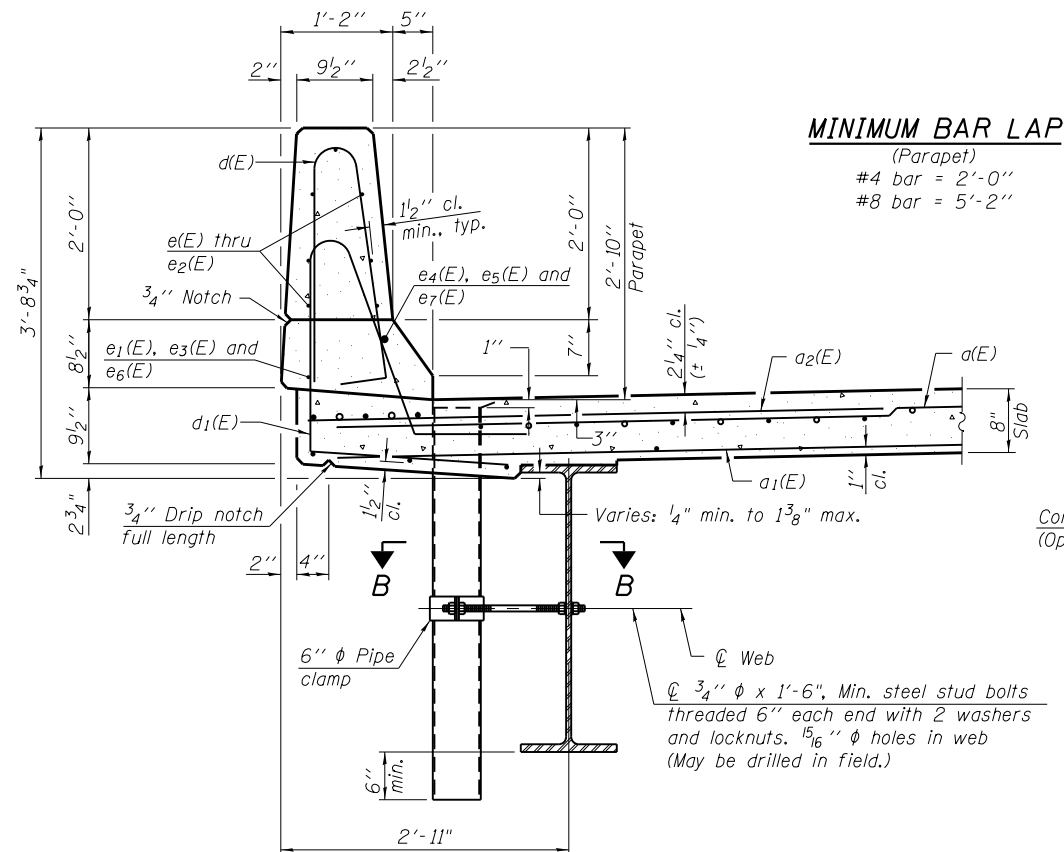
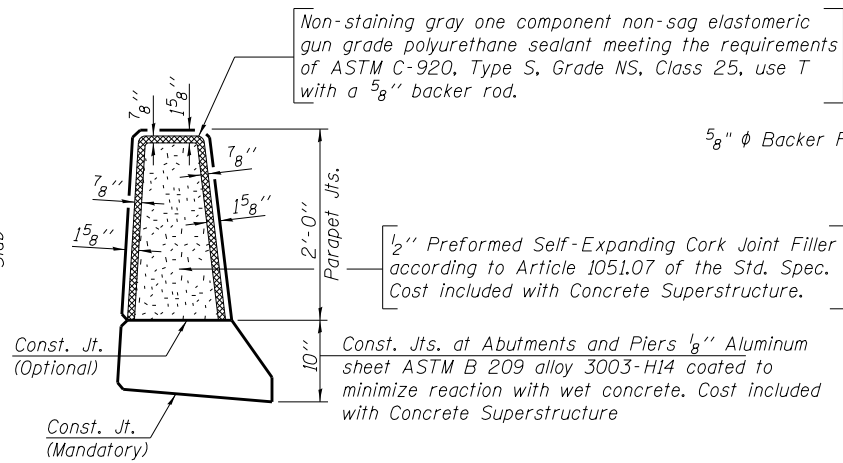


INSIDE ELEVATION OF PARAPET
(Looking at North parapet - South parapet similar)



SECTION THRU PARAPET

MINIMUM BAR LAP
(Parapet)
#4 bar = 2'-0"
#8 bar = 5'-2"



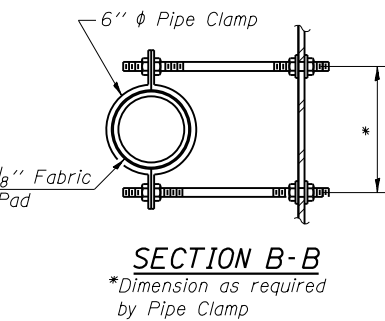
PARAPET JOINT DETAILS

Notes:
Floor drains need not be painted.
Fiberglass pipe shall conform to ASTM D 2996, with short-time rupture strength hoop tensile stress of 30,000 p.s.i. minimum.
Galvanize clamping device according to AASHTO M232. Cost of clamping device and inserts is included with Floor Drains.

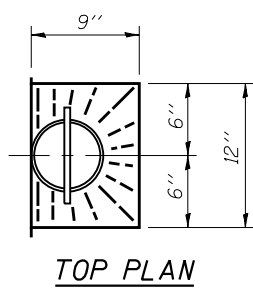
SUPERSTRUCTURE BILL OF MATERIAL

Bar	No.	Size	Length	Shape
a(E)	696	#5	19'-0"	—
a1(E)	454	#5	19'-0"	—
a2(E)	696	#6	6'-6"	—
b(E)	378	#5	23'-3"	—
b1(E)	80	#6	39'-0"	—
b2(E)	322	#5	29'-6"	—
d(E)	412	#5	5'-7"	⌒
d1(E)	412	#5	7'-8"	⌒
e(E)	84	#4	16'-6"	—
e1(E)	64	#4	8'-9"	—
e2(E)	56	#4	12'-9"	—
e3(E)	4	#4	26'-11"	—
e4(E)	4	#8	28'-6"	—
e5(E)	8	#8	8'-9"	—
e6(E)	8	#4	26'-0"	—
e7(E)	8	#8	27'-7"	—
m(E)	20	#6	19'-3"	—
m1(E)	24	#6	8'-9"	—
m2(E)	4	#6	2'-6"	—
m3(E)	8	#6	6'-4"	—
m4(E)	4	#6	3'-0"	—
s(E)	84	#5	6'-10"	⌒
s1(E)	84	#4	9'-4"	⌒
v(E)	80	#5	3'-9"	⌒
Reinforcement Bars, Epoxy Coated			Pound	64,540
Concrete Superstructure			Cu. Yds.	247.4
Floor Drains			Each	6

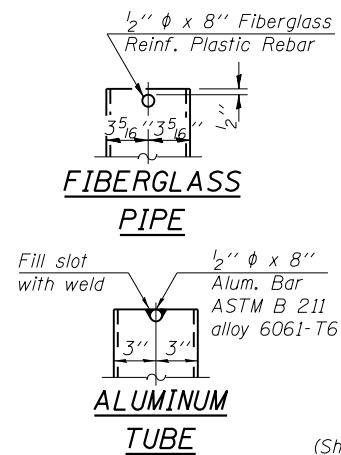
Bars indicated thus 1 x 2 - #5 etc. indicates 1 line of bars with 2 lengths per line.



SECTION B-B
*Dimension as required by Pipe Clamp

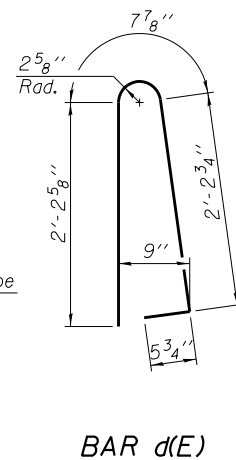


TOP PLAN

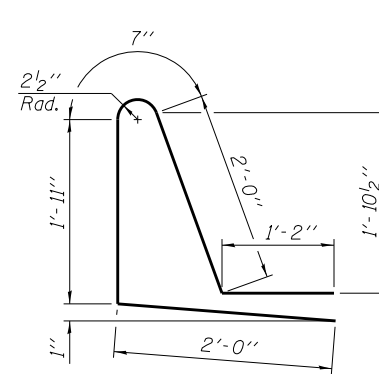


ALUMINUM TUBE

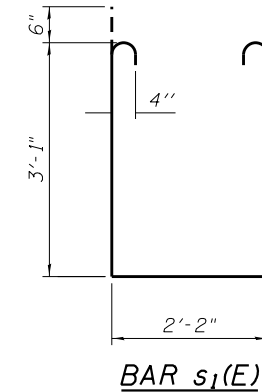
TOP PLAN
(Showing Aluminum Tube)



BAR d(E)

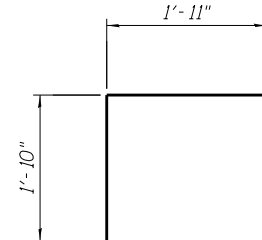


BAR d1(E)



BAR s(E)

BAR s1(E)



BAR v(E)

MAIL RT. 9, OVER ROAD, CREEK/CIVIL/CADD Sheets/Structure/Alum. Pipe/SHT/0468757-012-super details.dgn

USER NAME = cvm	DESIGNED - OY	REVISED -
FILE NAME = D468757-012-super details.dgn	CHECKED - DA	REVISED -
PLOT SCALE = 0:2.0000 '1' / in.	DRAWN - CM	REVISED -
PLOT DATE = 1/21/2013	CHECKED - JB	REVISED -

F.A. RTE.	SECTION	COUNTY	TOTAL SHEETS	SHEET NO.
693	(119BR) BR	TAZEWELL	80	52
CONTRACT NO. 68757				