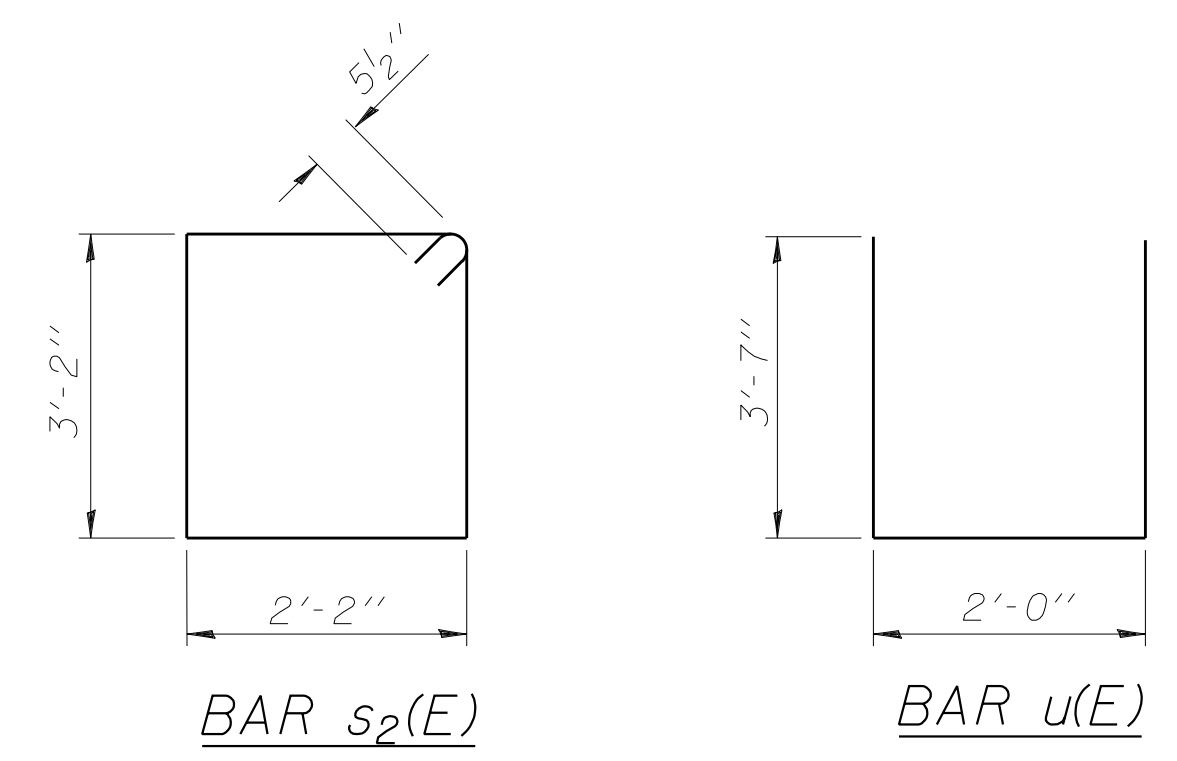
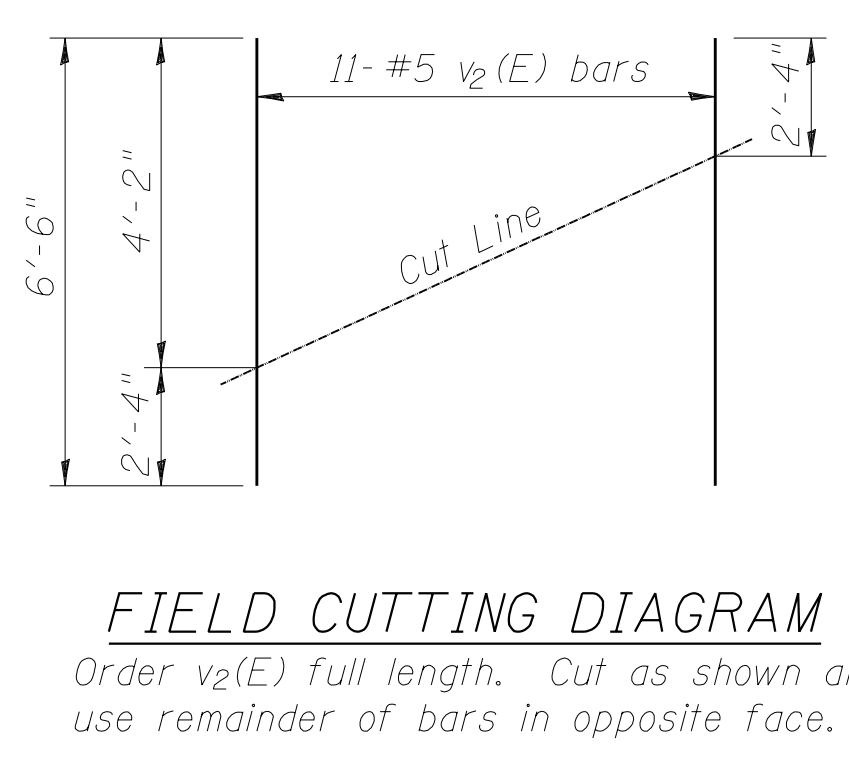
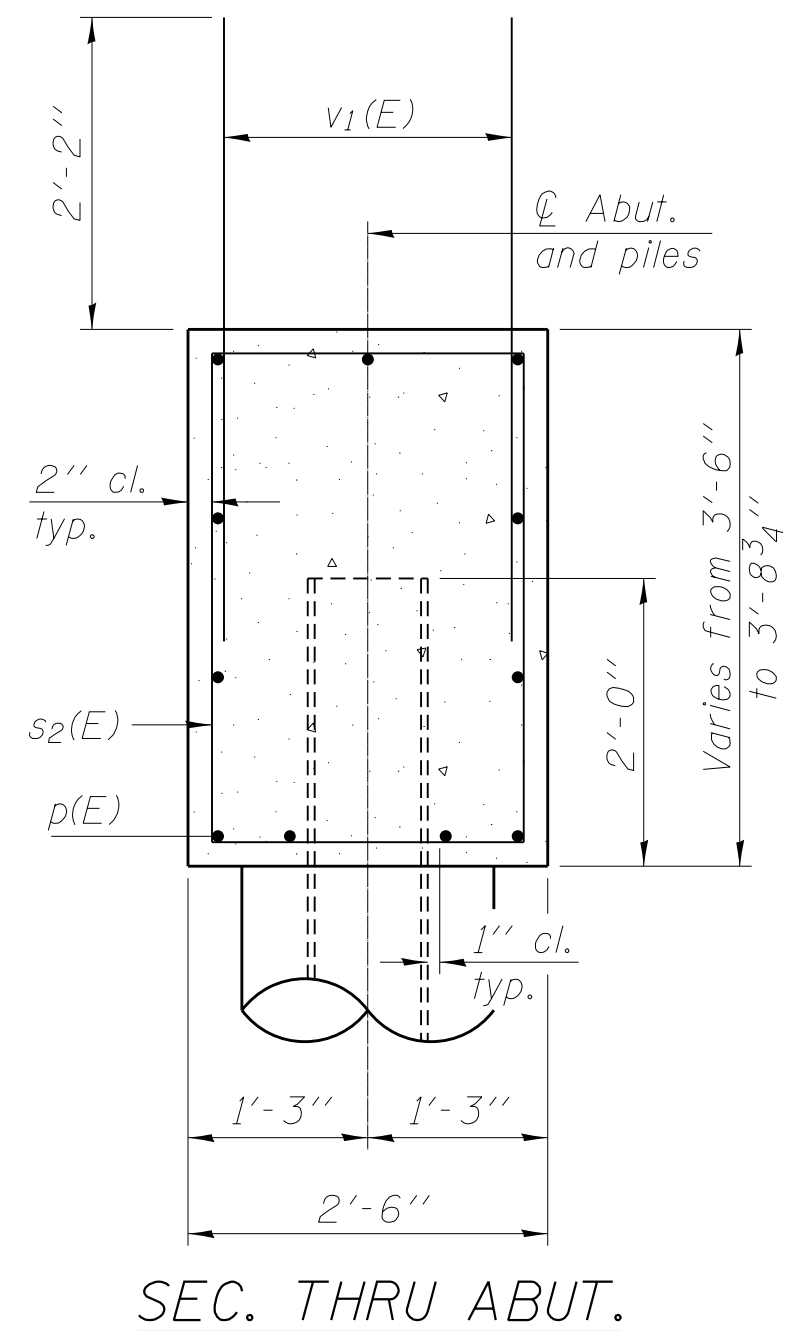
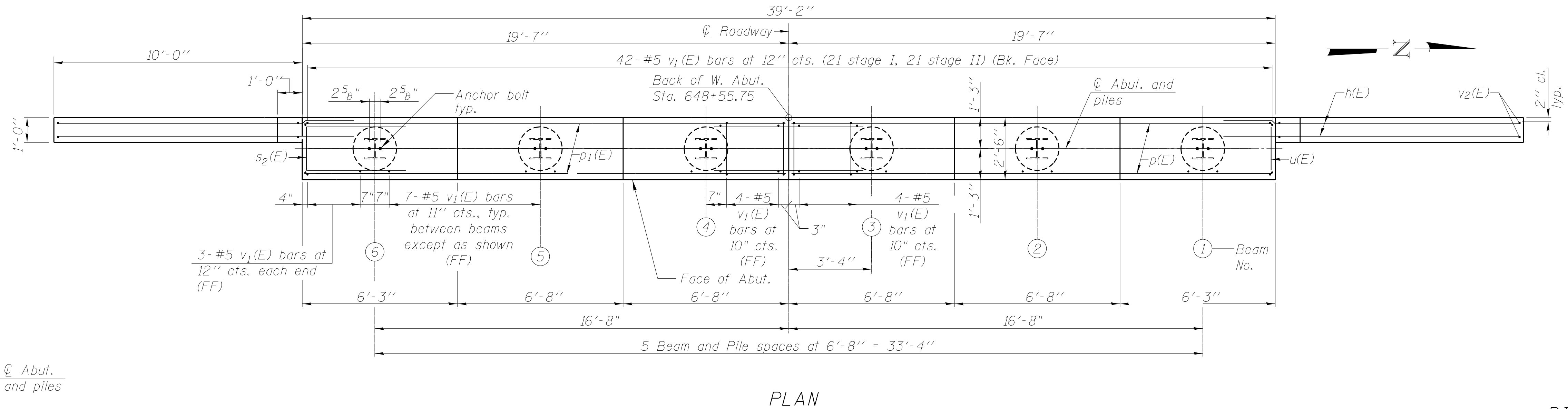
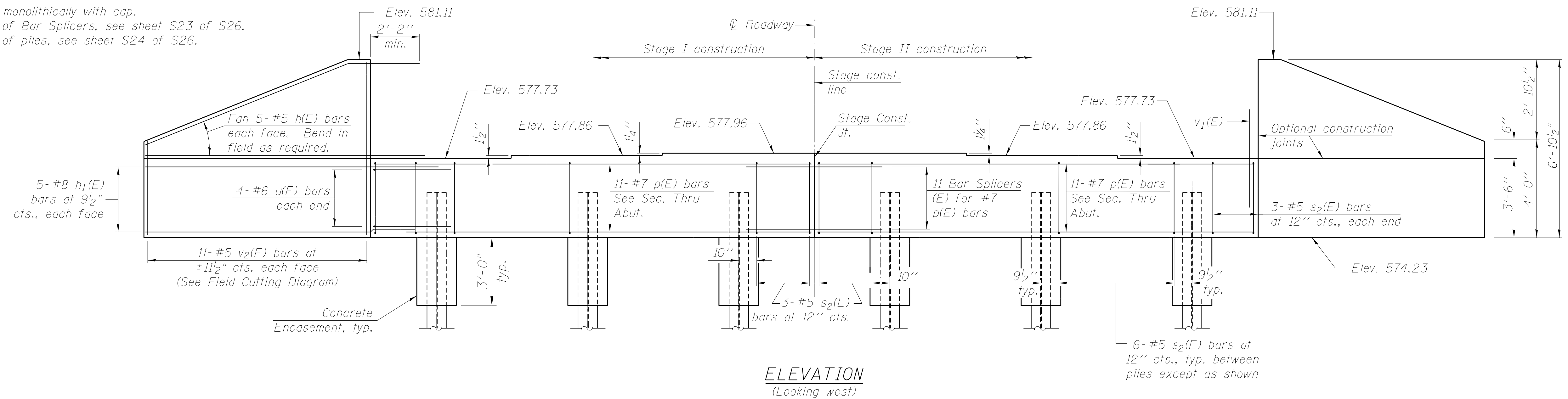


Notes:
 Four steps monolithically with cap.
 For details of Bar Splicers, see sheet S23 of S26.
 For details of piles, see sheet S24 of S26.



PILE DATA

Type: Steel HP 12x53
 Nominal Required Bearing: 180 kips
 Allowable Resistance Available: 210 kips
 Est. Length: 60 ft.
 No. Production Piles: 5
 No. Test Piles: 1

BILL OF MATERIAL

Bar	No.	Size	Length	Shape
h(E)	20	#5	12'-5"	—
h1(E)	20	#8	14'-3"	—
p(E)	22	#7	19'-3"	—
s2(E)	36	#5	11'-7"	□
u(E)	8	#6	9'-2"	□
v1(E)	84	#5	4'-4"	—
v2(E)	22	#5	6'-6"	—
Structure Excavation			Cu. Yd.	126
Concrete Structures			Cu. Yd.	17.7
Reinforcement Bars, Epoxy Coated			Pound	2960
Furnishing Steel Piles HP 12x53			Foot	300
Driving Piles			Foot	300
Test Pile Steel HP 12x53			Each	1
Concrete Encasement			Cu. Yd.	2.1

X:\JL RT 9 OVER MID CREEK\CLVIL\CADD Sheets\Structure\1\Final Plans\SH1\0468757-019-West-Abutment.dgn



USER NAME = cvm
 FILE NAME = D468757-019-West-Abutment.dgn
 PLOT SCALE = 2:8.0000 '1' / in.
 PLOT DATE = 5/7/2013

DESIGNED - OY
 CHECKED - DA
 DRAWN - CM
 CHECKED - JB
 REVISED -
 REVISED -
 REVISED -
 REVISED -

**STATE OF ILLINOIS
 DEPARTMENT OF TRANSPORTATION**

**WEST ABUTMENT PLAN AND ELEVATION
 STRUCTURE NO. 090 - 0178**

SHEET NO. S19 OF S26 SHEETS

F.A. RTE.	SECTION	COUNTY	TOTAL SHEETS	SHEET NO.
693	(119BR) BR	TAZEWELL	80	59
CONTRACT NO. 68757				
ILLINOIS FED. AID PROJECT				