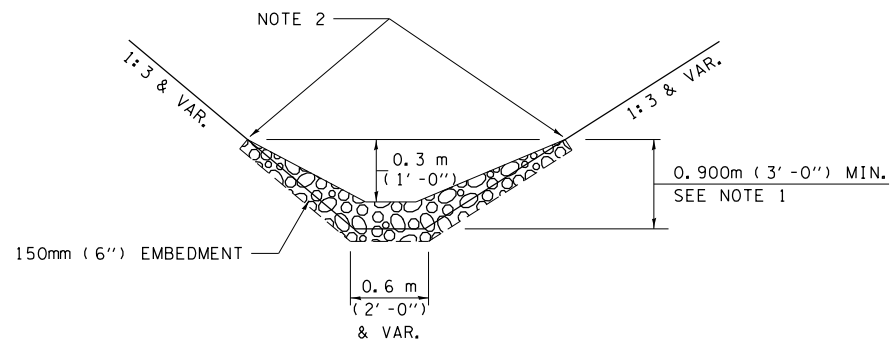


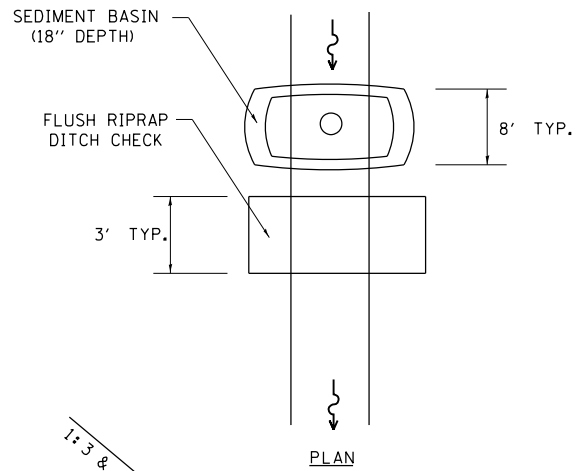
PLAN



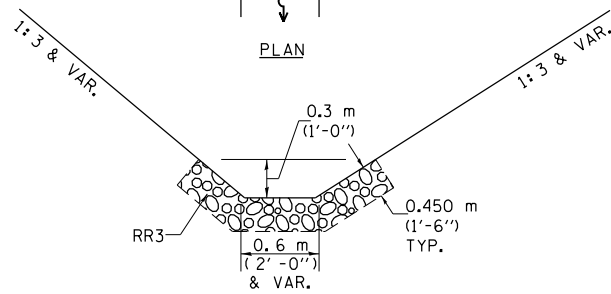
ELEVATION

OPTION 1

(EXTRUDING DITCH CHECK)  
RECOMMENDED FOR AREAS  
W/ RIPRAP DITCH LINING



PLAN



ELEVATION

OPTION 2

(FLUSH DITCH CHECK)  
RECOMMENDED FOR AREAS  
W/O RIPRAP DITCH LINING

**STONE DUMPED RIPRAP DITCH CHECK**

OPTIONS 1 & 2 OR  
AS DIRECTED BY THE ENGINEER

NOTE 1: RIPRAP SHALL EXTEND FAR ENOUGH UP THE SLOPES TO ALLOW 0.3m (1') OVERTOPPING TO AVOID ERODING AROUND THE EDGES OF THE RIPRAP.

NOTE 2: ENDS SHALL BE TIED INTO SLOPES.

LEGEND FOR STORM WATER POLLUTION PREVENTION PLAN	
ITEM	SYMBOL
AGGREGATE DITCH CHECKS	
INLET AND PIPE PROTECTION	
PERIMETER EROSION BARRIER	
<b>SEDIMENT BASINS</b>	
EARTH EXCAVATION FOR EROSION CONTROL	
AGGREGATE (EROSION CONTROL)	
PRESERVE EXISTING TREES, WOODLANDS, AND UNDERSTORY (OUTSIDE CONSTRUCTION LIMITS)	
ITEM PLACED AT BEGINNING OF CONSTRUCTION (Requirement)	*  *
ITEM PLACED AS DIRECTED BY ENGINEER (When required by situation)	
DIRECTION OF OVERLAND FLOW	

GENERAL NOTES:  
All items shall be constructed as shown on this sheet, on Standard 280001, and as directed by the Engineer.

FILE NAME = SWPPLAN.DGN	USER NAME = sparksgw	DESIGNED -	REVISED - AUG 2007 (JCN)
et:\pw\work\p\dot\sparksgw\0216368\0672505-SHT-SWPP.dgn	505-SHT-SWPP.dgn	DRAWN - CADD	REVISED - OCT 2010 (JCN)
	PLOT SCALE = 40.0000' / in.	CHECKED - JCN	REVISED - MAY 2012 (JPM)
	PLOT DATE = Apr-11-2013 03:50:45PM	DATE - APRIL 5, 1999	REVISED -

STATE OF ILLINOIS  
DEPARTMENT OF TRANSPORTATION

SCALE:		SHEET 4	OF 4	SHEETS	STA.	TO STA.
--------	--	---------	------	--------	------	---------

F.A.I. RTE.	SECTION	COUNTY	TOTAL SHEETS	SHEET NO.
55	68-2WS-2	MONTGOMERY	124	65
CONTRACT NO. 72505			ILLINOIS FED. AID PROJECT	