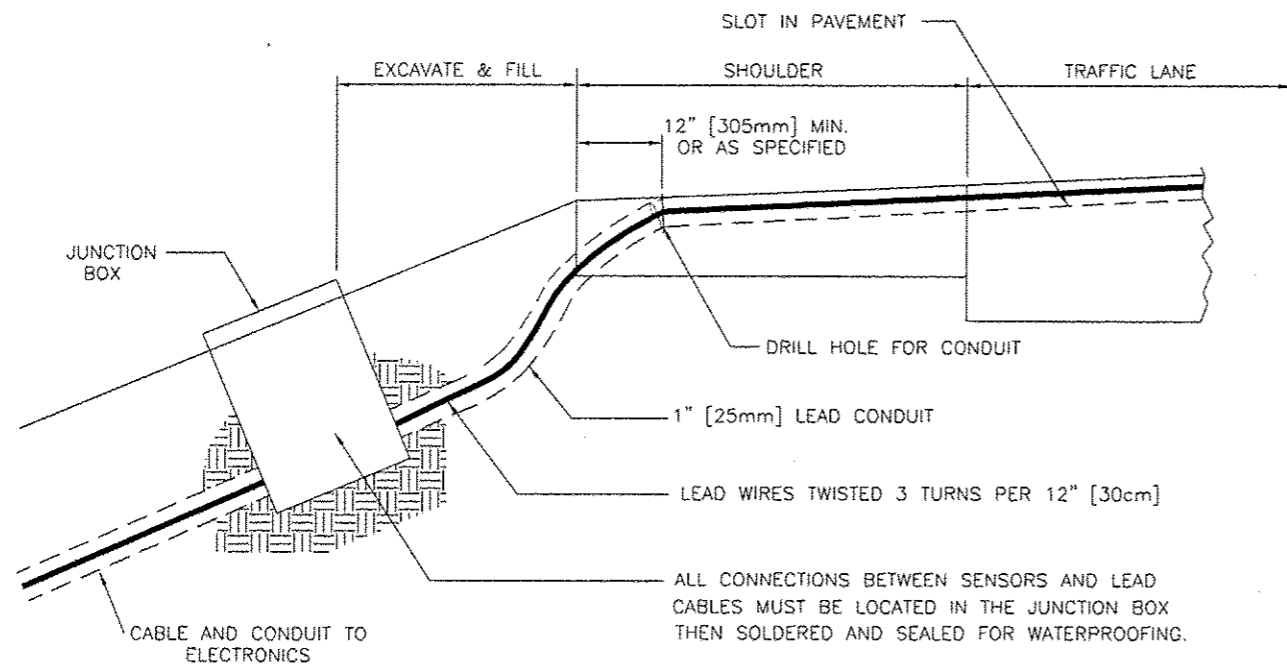
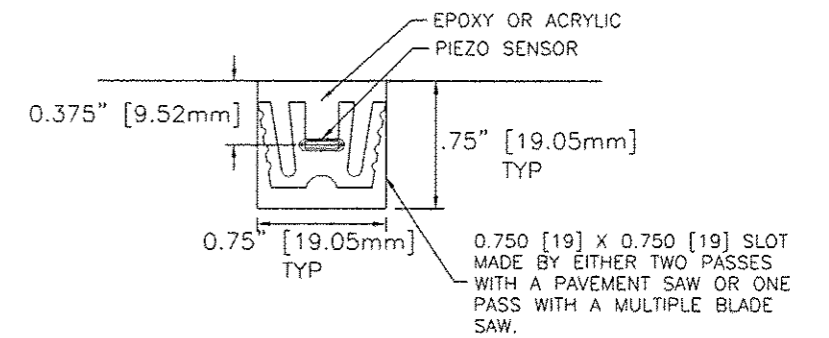


LOOP CABLE ROUTING DETAILS

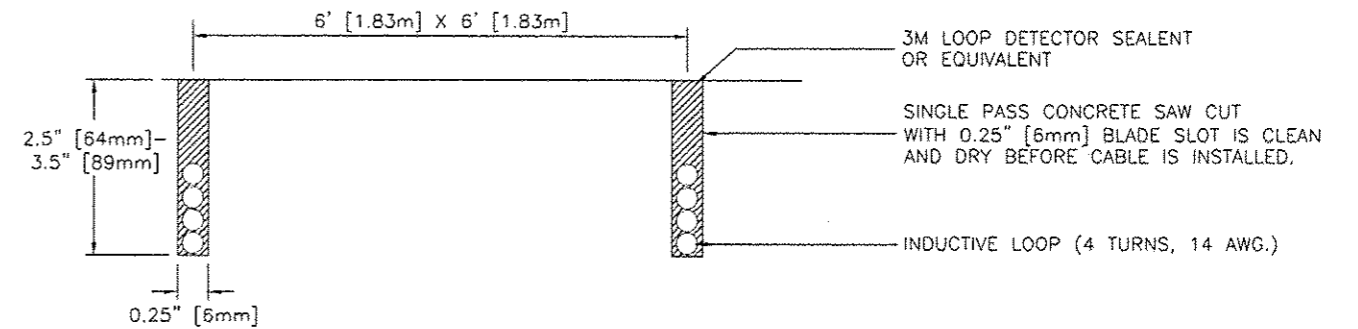


ALL CONNECTIONS BETWEEN SENSORS AND LEAD CABLES MUST BE LOCATED IN THE JUNCTION BOX THEN SOLDERED AND SEALED FOR WATERPROOFING.

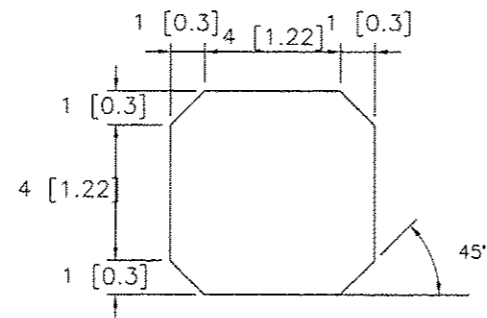
SECTION B-B - PIEZO SENSOR DETAIL



SECTION A-A - LOOP DETAIL



LOOP DIMENSION DETAIL



NOTES:

1. 6' x 6' LOOP SHOWN, FOR SIZE REFER TO LOOP DETAILS ON SITE LAYOUT DRAWING.
2. 4 TURN LOOP SHOWN, FOR NUMBER OF TURNS, REFER TO THE LOOP DETAILS ON SITE LAYOUT DRAWING.

FILE NAME =	USER NAME = sparksgw	DESIGNED -	REVISED -	STATE OF ILLINOIS DEPARTMENT OF TRANSPORTATION	WEIGH IN MOTION DETAILS		F.A.I. RTE.	SECTION	COUNTY	TOTAL SHEETS	SHEET NO.
c:\pwwork\pwwork\sparksgw\0216368\067	SRS-SHT-WIM.dgn	DRAWN -	REVISED -				55	68-2WS-2	MONTGOMERY	124	98
Default	PLOT SCALE = 100.0000 1/16"	CHECKED -	REVISED -		SCALE: SHEET 10 OF 12 SHEETS STA. TO STA.		CONTRACT NO. 72505		ILLINOIS FED. AID PROJECT		
	PLOT DATE = May-14-2013 01:59:07PM	DATE -	REVISED -								