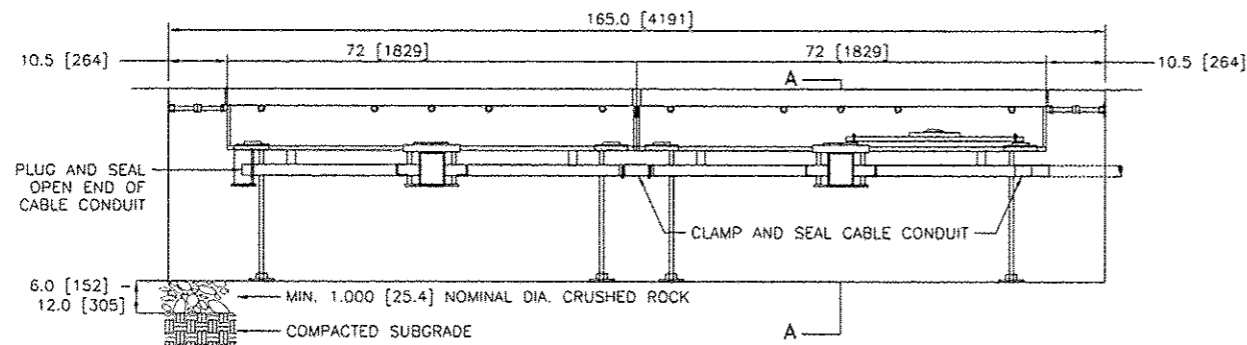
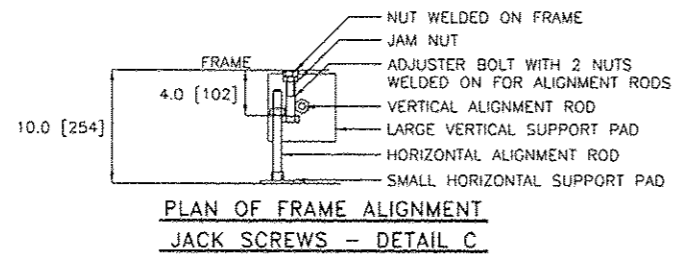


**GENERAL INSTALLATION INSTRUCTIONS:**

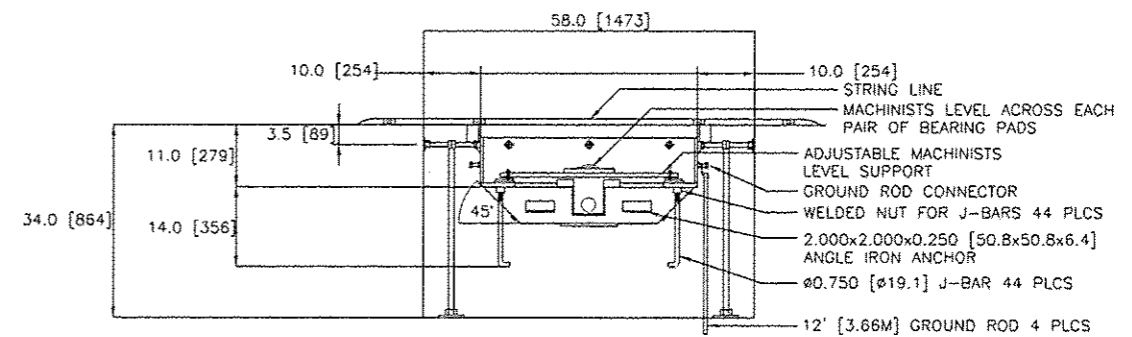
1. SHIPMENT INCLUDES: FRAMES, J-BARS, O-RINGS, GROUND ROD CONNECTORS, 2-10'[3658] LENGTHS OF DRAIN PIPE - 3 TEES AND 1 ELBOW, ALL NECESSARY CONCRETE ANCHOR BOLTS, JACK SCREWS, LOCATING SCREWS, SUPPORT PADS, CONDUIT CONNECTING HOSE AND CLAMPS, AND GROUND RODS.
2. INSTALL CONCRETE ANCHOR BOLTS, JACK SCREWS AND J-BARS ONTO SCALE FRAMES.
3. EXCAVATE SCALE VAULT TO DEPTH OF 40"[1016] AND COMPACT PIT BOTTOM.
4. PLACE 6"[152.4] OF 1"[25.4] NOMINAL CRUSHED ROCK AND VIBRATE COMPACT.
5. SET FRAME IN PREPARED PIT WITH NECESSARY REBAR CAGE IN PLACE.
6. INSTALL DRAIN PIPES AND CONDUITS. SEAL ALL CONNECTIONS. DRAINAGE AT EDGE OF ROADWAY MUST ALLOW FREE FLOW AWAY FROM THE OUTLET OF DRAIN PIPE. THE OUTLET MUST BE WELL ABOVE THE HIGH WATER LEVEL OF THE DITCH OR MANHOLE. THE FLOW ALONG THE DRAIN AND AWAY FROM THE OUTLET MUST BE MAINTAINED AT ALL TIMES.
7. USE JACK SCREWS TO POSITION FRAME PROPERLY - HORIZONTALLY AND VERTICALLY.
8. INSTALL GROUND CLAMPS AND GROUND RODS.
9. LOCATE THE EDGE OF THE SCALE FRAME FLUSH WITH THE SURROUNDING ROAD SURFACE USING A STRING LINE FROM THE ROADWAY ACROSS THE CORNERS OF THE SCALE FRAME.
10. FINAL SET OF THE SCALE USING A MACHINISTS LEVEL MOUNTED ON AN ADJUSTABLE SUPPORT, SPANNING ACROSS ADJACENT SCALE BEARING PADS TO ENSURE THAT ALL FRAME EDGES ARE PARALLEL AND THERE IS NO TWIST IN THE SCALE FRAME.
11. WET PIT WALLS.
12. POUR AND VIBRATE CONCRETE AROUND FRAME. CONCRETE SHOULD HAVE MAX. SLUMP OF 3"[76.2].
13. SLOPE AND FINISH PIT SURFACE AND SCALE FRAME FLOOR FOR PROPER DRAINAGE TO DRAINPIPE INLET.
14. CONCRETE MUST MEET THE FOLLOWING SPECIFICATIONS:  
 1500PSI [10MPA] - INSTALL PLATFORM IN FRAME  
 3000PSI [20MPA] - OPEN TO TRAFFIC  
 4500PSI [30MPA] - ULTIMATE STRENGTH



**SECTION B-B**



**PLAN OF FRAME ALIGNMENT  
JACK SCREWS - DETAIL C**



**SECTION A-A**

FILE NAME =	USER NAME = sparksgw	DESIGNED -	REVISED -	<b>STATE OF ILLINOIS DEPARTMENT OF TRANSPORTATION</b>	<b>WEIGH IN MOTION DETAILS</b>		F.A.I. R.T.E.	SECTION	COUNTY	TOTAL SHEETS	SHEET NO.
c:\pwwork\pwwork\sparksgw\d0216368\067	585-SHT-WIM.dgn	DRAWN -	REVISED -		55	68-2WS-2	MONTGOMERY	124	99		
Default	PLOT SCALE = 1/8" = 1'-0"	CHECKED -	REVISED -		SCALE: SHEET 11 OF 12 SHEETS STA. TO STA.		CONTRACT NO.		ILLINOIS FED. AID PROJECT		
	PLOT DATE = May-14-2013 01:59:32PM	DATE -	REVISED -								