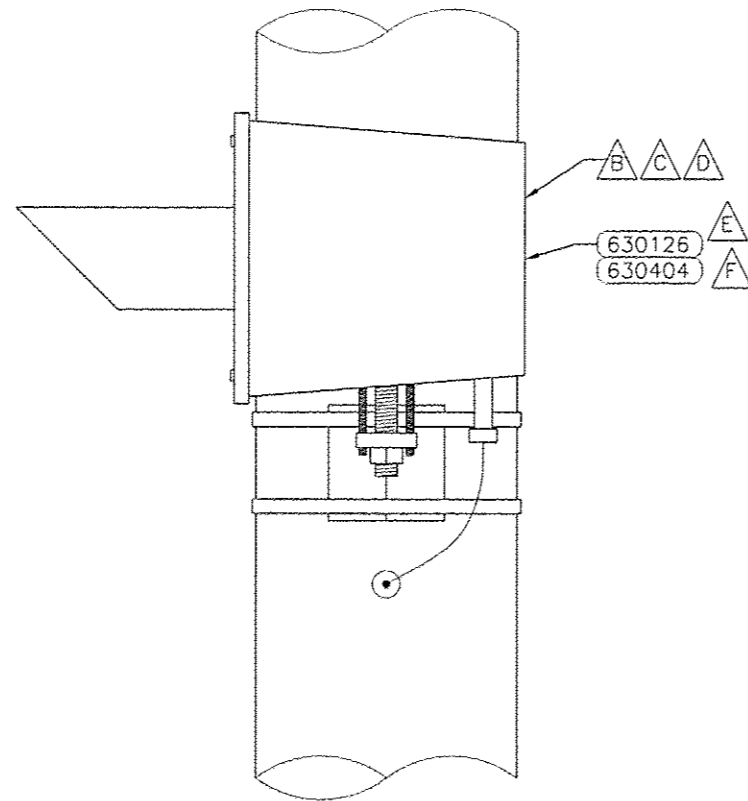
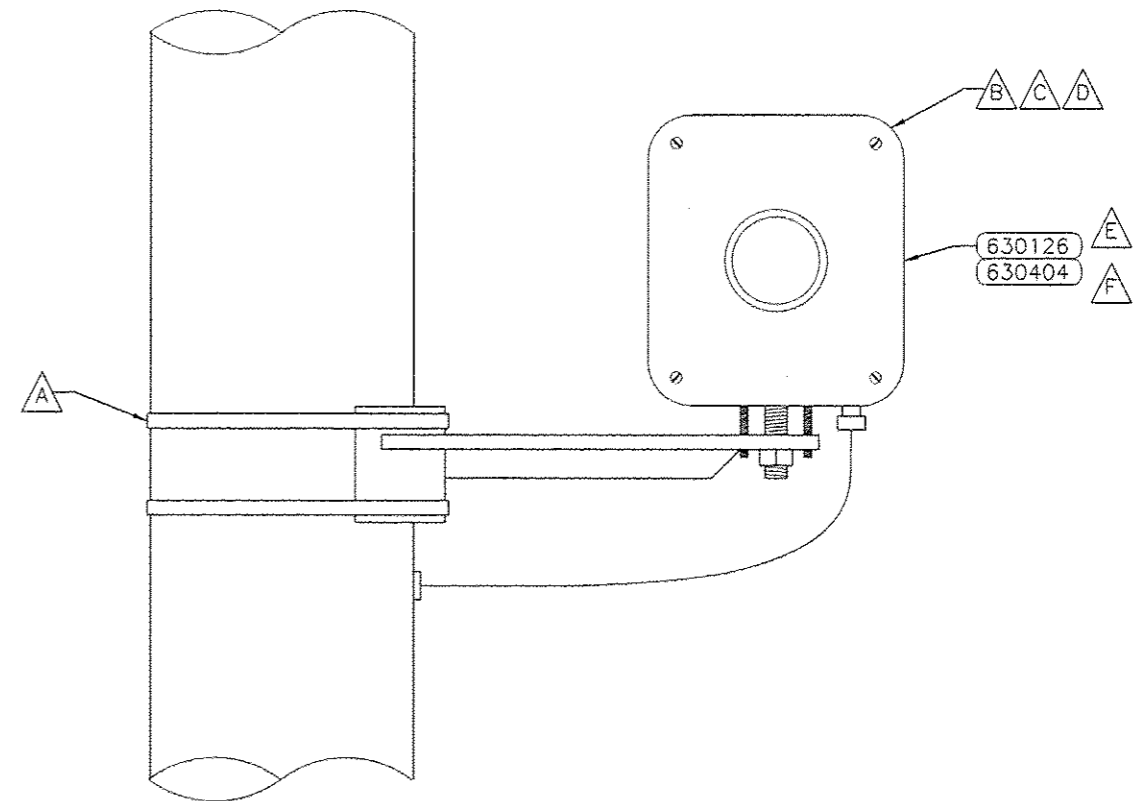


OVERHEIGHT DETAIL

SIDE VIEW



FRONT VIEW



NOTES: (THIS SHEET ONLY)

- A** BAND MOUNTING BRACKET TO POLE AT APPROPRIATE HEIGHT.
- B** MOUNT, WIRE AND AIM THE OVERHEIGHT TRANSMITTER AND RECEIVER IN ACCORDANCE WITH THE MANUFACTURER'S INSTRUCTIONS.
- C** DETECTOR AND BRACKET WEIGHT: 40 lbs [18 Kg]
- D** DETECTOR HOUSING SIZE: 15-1/2" [394mm] X 10" [254mm] X 8-3/4" [222mm]
- E** DETECTOR POWER: 115 VAC, 50/60 Hz, 0.3 AMP.
- F** DETECTOR POWER: 230 VAC, 50/60 Hz, 0.15 AMP.

FEET (m)  
NOT TO SCALE

FILE NAME =	USER NAME =	DESIGNED -	REVISED -	<b>STATE OF ILLINOIS DEPARTMENT OF TRANSPORTATION</b>	<b>SITE LAYOUT SINGLE LOAD CELL WIM SORTING SYSTEM I-55 LITCHFIELD WEIGH STATION, IL</b>		F.A.I. RTE.	SECTION	COUNTY	TOTAL SHEETS	SHEET NO.
cr:\pw_work\pavidot\sparksgv\0216268\067	585-SHT-WIM.dgn	DRAWN -	REVISED -		55	68-2W5-2	MONTGOMERY	124	100A		
Default	PLT SCALE = 100.0000 1/1 in.	CHECKED -	REVISED -		SCALE: SHEET OF SHEETS STA. TO STA.		CONTRACT NO. 72505				
	PLT DATE = May-14-2013 02:08:26PM	DATE -	REVISED -		[ILLINOIS] FED. AID PROJECT						