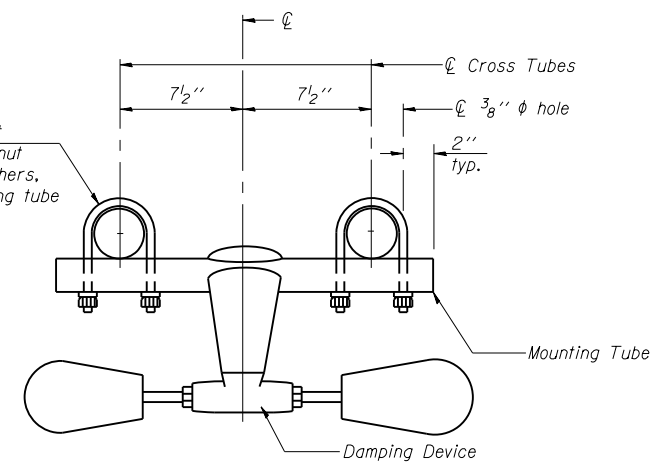
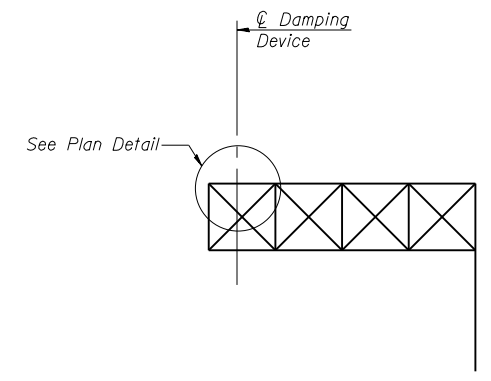


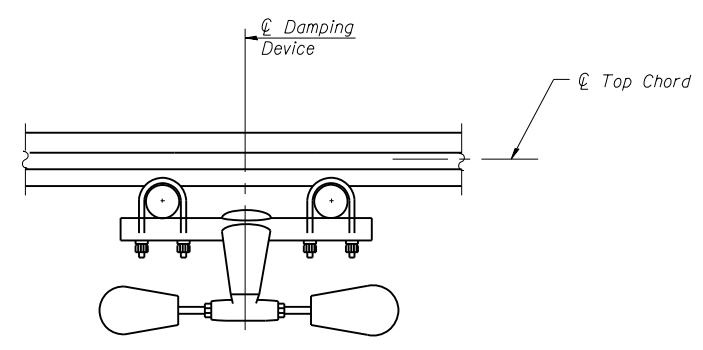
PLAN DETAIL



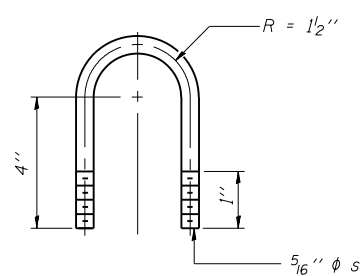
TRUSS DAMPING DEVICE CONNECTION DETAIL



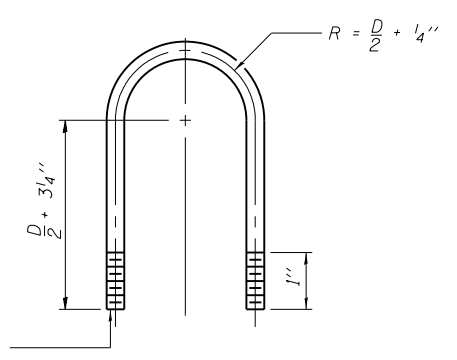
ELEVATION
Aluminum Cantilever Sign Structure



SECTION A-A



DAMPING DEVICE MOUNTING TUBE U-BOLT DETAIL
(Typical)



TOP CHORD TO CROSS TUBE U-BOLT DETAIL
(Typical)

GENERAL NOTES

- Damper: One damper per truss. (31 lbs. Stockbridge-Type Aluminum-29" minimum between ends of weights)
- Materials: Aluminum tubes shall be ASTM B221 alloy 6061 temper T6

OSC-A-D 1-20-11

FILE NAME =	USER NAME = sparksgw	DESIGNED -	REVISED -
et:\pw\work\pwidot\sparksgw\0216368\0672505-SHT-WMSIGN-DETAILS.dgn		DRAWN -	REVISED -
		CHECKED -	REVISED -
		DATE -	REVISED -
PLOT SCALE = 40.0000' / in.			
PLOT DATE = Apr-11-2013 03:51:16PM			

**STATE OF ILLINOIS
DEPARTMENT OF TRANSPORTATION**

**CANTILEVER SIGN STRUCTURE
DAMPING DEVICE**

SCALE: SHEET NO. 5 OF 8 SHEETS STA. TO STA.

F.A.I. RTE.	SECTION	COUNTY	TOTAL SHEETS	SHEET NO.
55	68-2WS-2	MONTGOMERY	124	105
CONTRACT NO. 72505				
ILLINOIS FED. AID PROJECT				