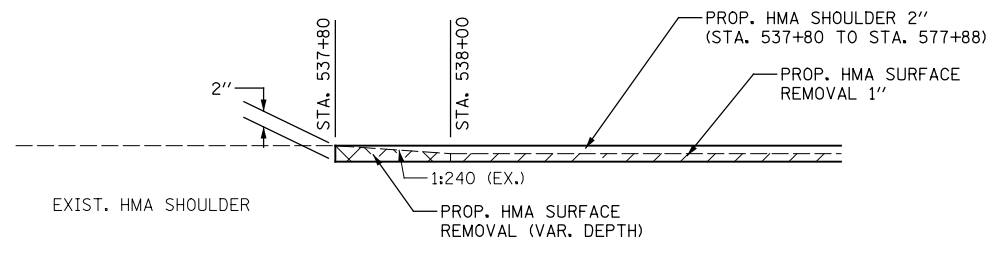
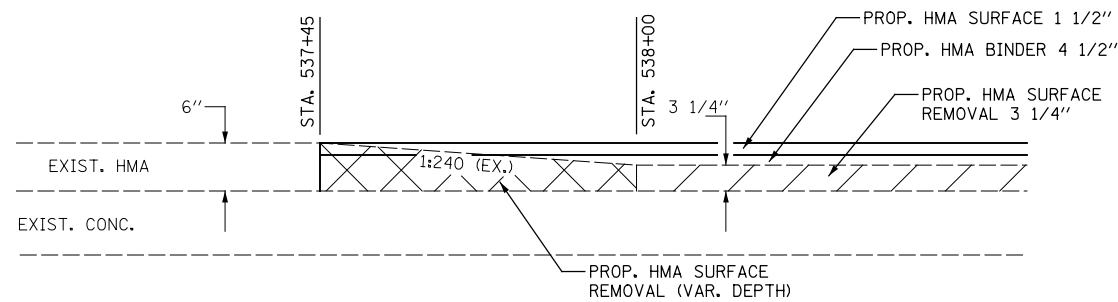


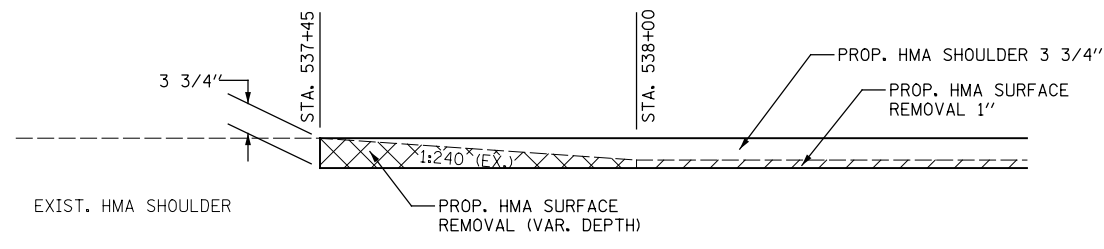
PAVEMENT JOINT DETAIL (I-72 WB)



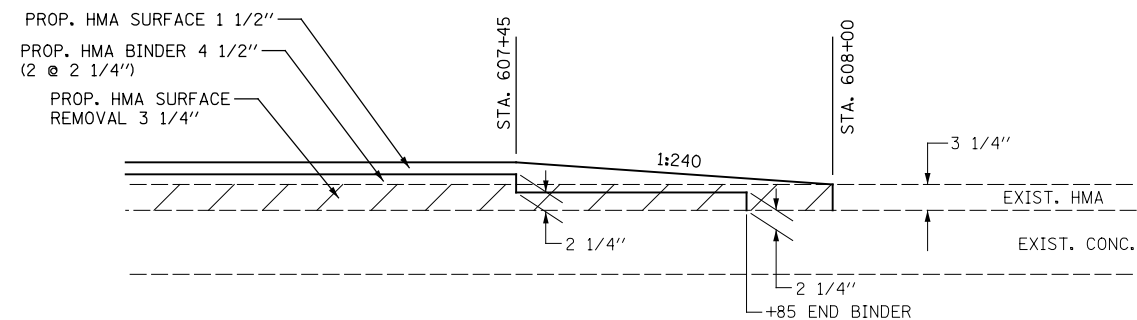
SHOULDER JOINT DETAIL (I-72 WB)



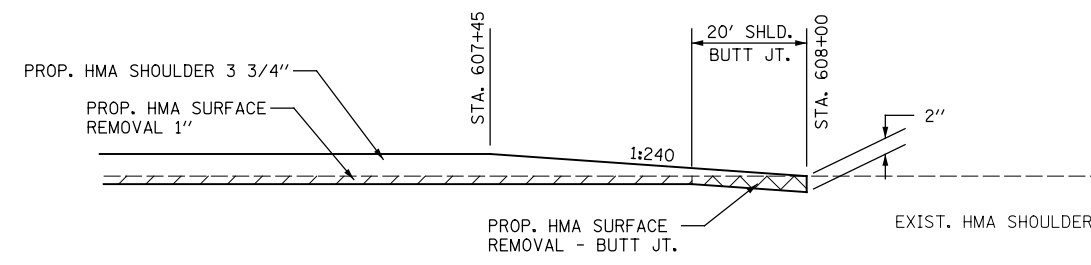
PAVEMENT JOINT DETAIL (I-72 EB)



SHOULDER JOINT DETAIL (I-72 EB)



PAVEMENT JOINT DETAIL (I-72 WB & EB)



SHOULDER BUTT JOINT DETAIL (I-72 WB & EB)

FILE NAME =	USER NAME =	DESIGNED -	REVISED -
... \CADD\1672C88-shd-details.dgn		DRAWN -	REVISED -
Johnson, Depp & Oulsenberry CONSULTING ENGINEERS Springfield, Illinois	PLOT SCALE = 100.0000' / 1in.	CHECKED -	REVISED -
	PLOT DATE = 04/02/2013 09:04:49	DATE -	REVISED -

STATE OF ILLINOIS
DEPARTMENT OF TRANSPORTATION

PAVEMENT & SHOULDER JOINT DETAILS

SCALE:	SHEET NO.	OF	SHEETS	STA.	TO	STA.
--------	-----------	----	--------	------	----	------

F.A.I. RTE.	SECTION	COUNTY	TOTAL SHEETS	SHEET NO.
72	(84-10-3)RS-5	SANGAMON	95	27
CONTRACT NO. 72C88				
FED. ROAD DIST. NO. ILLINOIS FED. AID PROJECT				