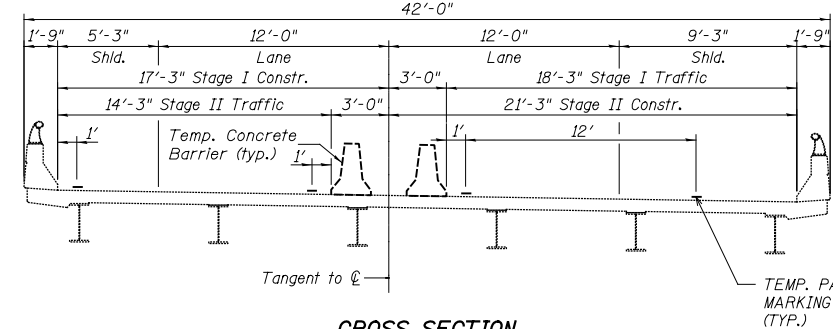
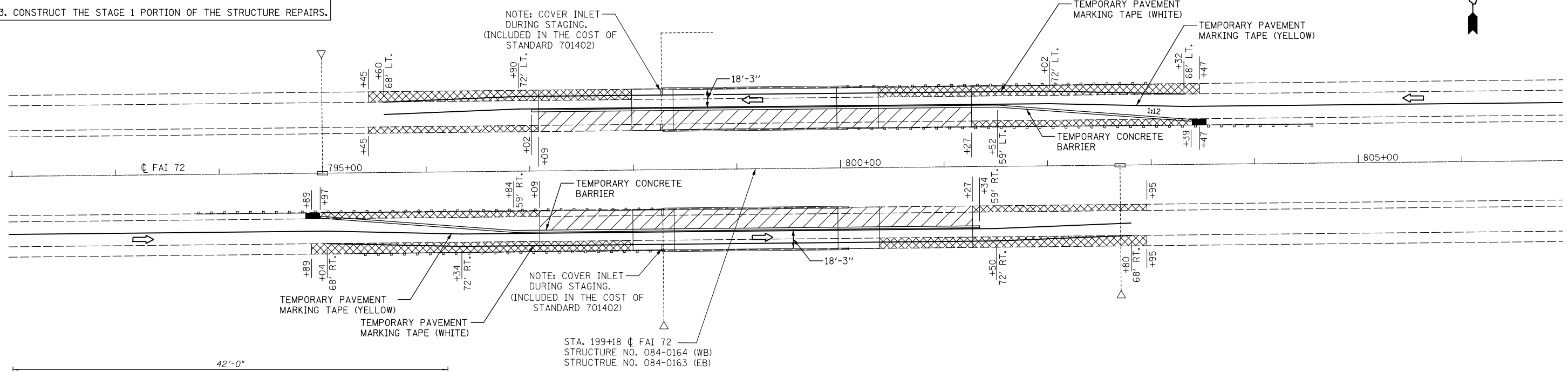


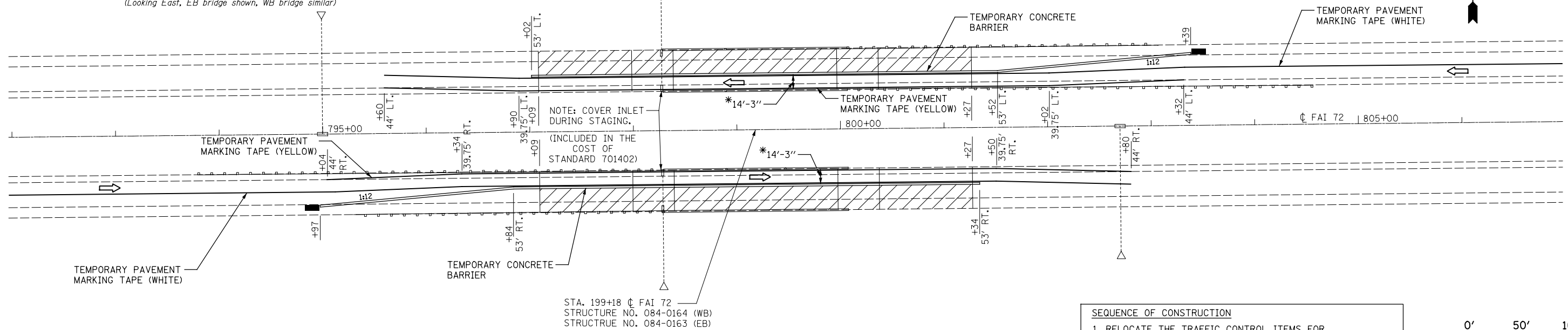
SEQUENCE OF CONSTRUCTION
 1. REMOVE EXISTING PAVED SHOULDERS AND REPLACE WITH HMA BASE COURSE 12"
 2. INSTALL TRAFFIC CONTROL AS SHOWN IN THIS DETAIL AND ACCORDING TO STANDARDS 701400 & 701402.
 3. CONSTRUCT THE STAGE 1 PORTION OF THE STRUCTURE REPAIRS.



NOTE: SIGNS, ARROW BOARD, TEMPORARY MARKING TAPE AND BARRICADES WITH STEADY BURNING MONODIRECTIONAL LIGHTS AS SHOWN IN STANDARD 701402 & 701400.
 REMOVE EXISTING STRIPING CONFLICTING WITH THE STAGING PLAN. PAID FOR AS PAVEMENT MARKING REMOVAL.

- PAVED SHOULDER REMOVAL REPLACE WITH HMA BASE COURSE 12"
 - WORK AREA
 - IMPACT ATTENUATOR

STAGE I



SEQUENCE OF CONSTRUCTION
 1. RELOCATE THE TRAFFIC CONTROL ITEMS FOR STAGE II TRAFFIC.
 2. COMPLETE STAGE II PORTION OF THE STRUCTURE REPAIRS.
 3. REMOVE TRAFFIC CONTROL ITEMS AND COMPLETE ALL REMAINING WORK.

*SEE WIDTH RESTRICTION SIGNING DETAIL

FILE NAME = ... \CADD\0672C88-shit-staging2.dgn	USER NAME =	DESIGNED -	REVISED -	STATE OF ILLINOIS DEPARTMENT OF TRANSPORTATION	STAGING PLAN SN 084-0164 (WB) & 084-0163 (EB)			F.A.I. RTE. 72	SECTION (84-10-3)RS-5	COUNTY SANGAMON	TOTAL SHEETS 95	SHEET NO. 73
	PLOT SCALE = 100.0000' / 1"	DRAWN -	REVISED -		SCALE:	SHEET NO.	OF SHEETS	STA.	TO STA.	ILLINOIS FED. AID PROJECT		
	PLOT DATE = 04/02/2013 09:39:12	CHECKED -	REVISED -		STAGE II							
		DATE -	REVISED -		PART B - SHEET 45 of 67 CONTRACT NO. 72C88							