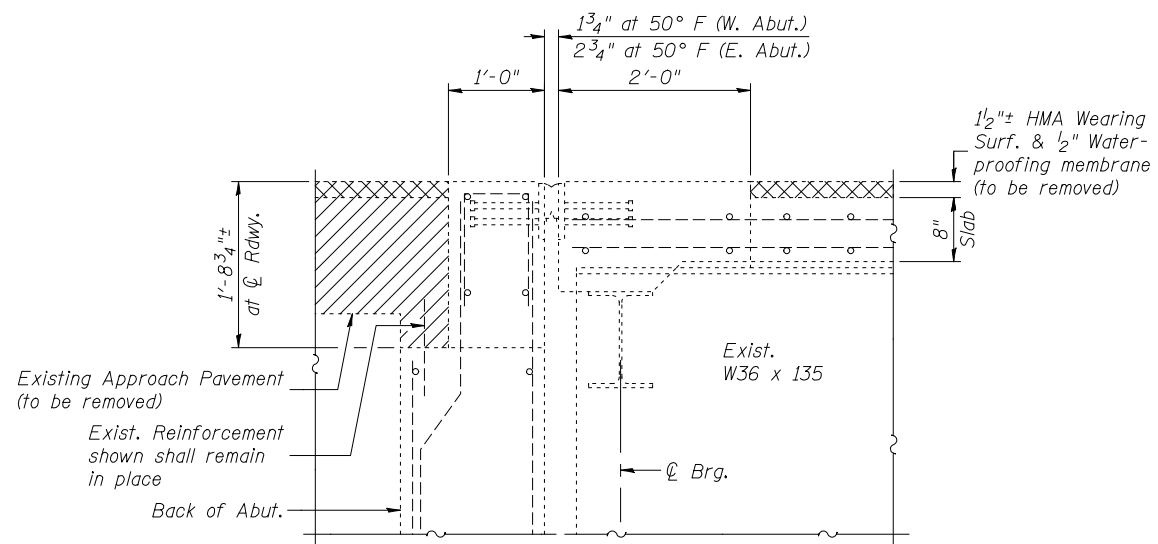
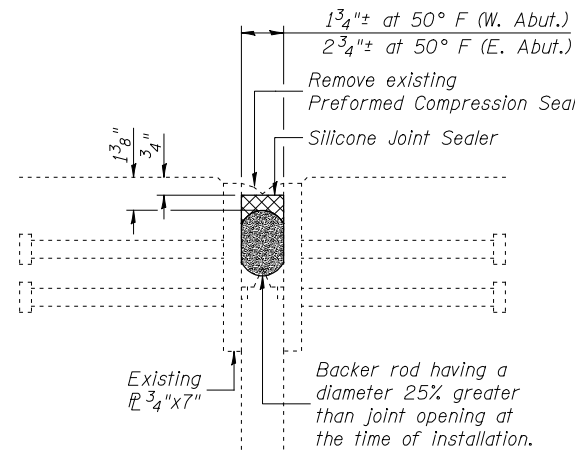


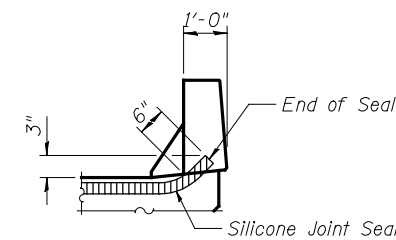
PROPOSED SECTION A-A



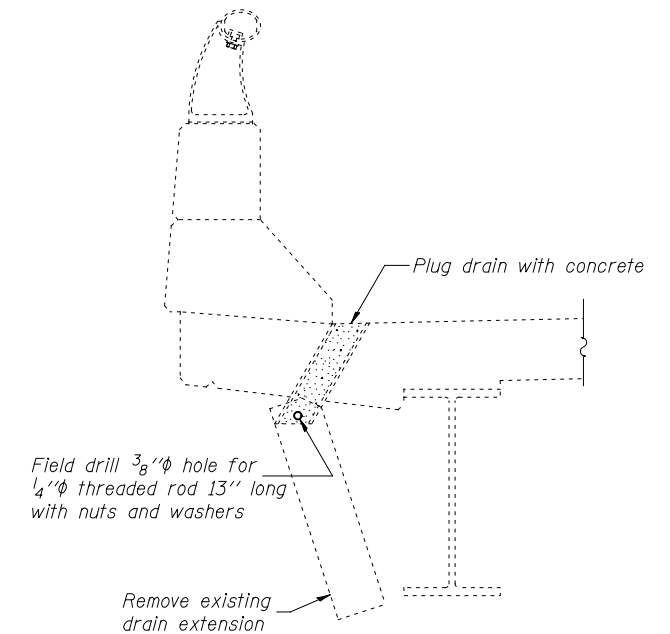
EXISTING SECTION A-A



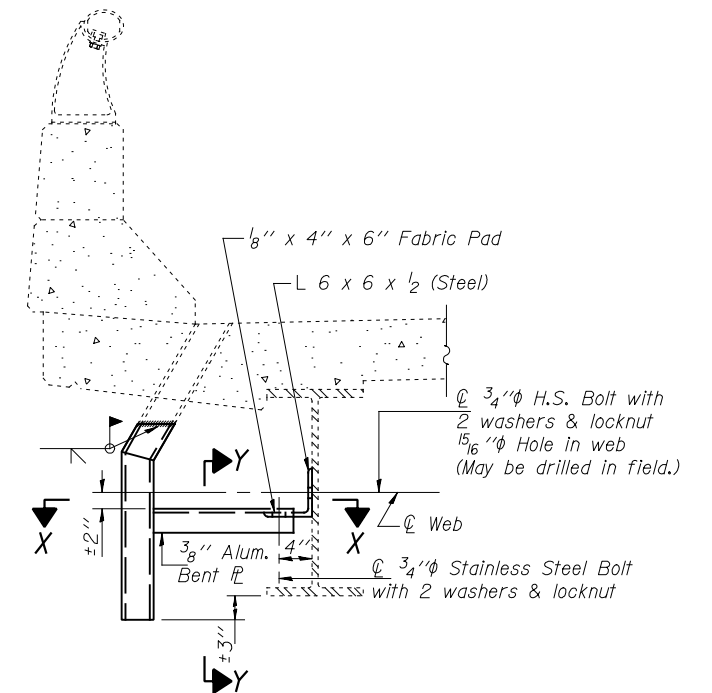
SILICONE JOINT SEALER DETAIL



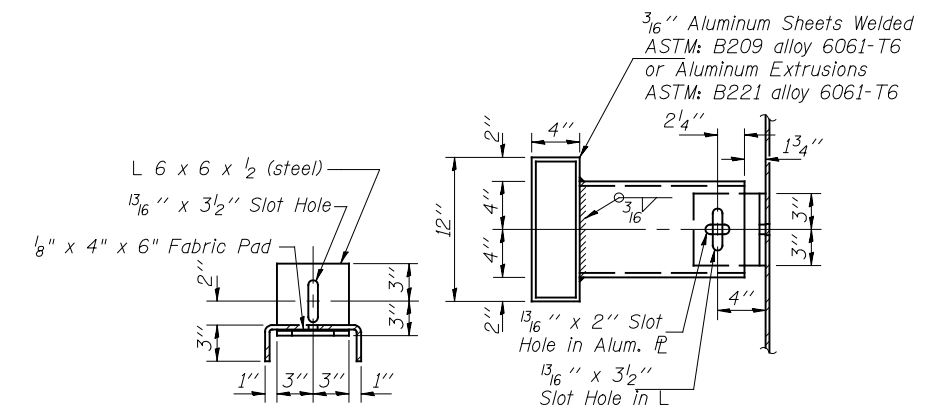
TYPICAL END OF SEAL TREATMENT AT EXPANSION JOINT



SECTION AT DRAIN PLUG



SECTION AT DRAIN EXTENSION



SECTION Y-Y

SECTION X-X

Notes:
 Existing drain extensions at plugged drains shall be removed (cost included with Plug Existing Drains).
 Existing drain extensions at remaining open drains shall be removed and replaced according to the plan details. This work will be paid for as Floor Drain Extension (Each).

FILE: J:\INDO\102004 IL-DBVW7 I-72 Illinois\3-LongPoint\Slough\0840163-72C88-005-deckrepair-details.dgn

SAVE DATE: 3/29/2013

FILE NAME =	USER NAME = DCD	DESIGNED - CMV	REVISED -
... \0840163-72C88-005-deckrepair-details.dgn		CHECKED - DCD	REVISED -
PLOT SCALE =		DRAWN - P. Ray	REVISED -
PLOT DATE = 04/02/2013 15:18:46		CHECKED - CMV/DCD	REVISED -

**STATE OF ILLINOIS
DEPARTMENT OF TRANSPORTATION**

**DECK REPAIR DETAILS
STRUCTURE NO. 084-0163(EB) & 084-0164(WB)**

SHEET NO. 5 OF 10 SHEETS

F.A.I. RTE.	SECTION	COUNTY	TOTAL SHEETS	SHEET NO.
72	(84-10-3)RS-5	SANGAMON	95	82
STA. 799+18.00		CONTRACT NO. 72C88		
ILLINOIS FED. AID PROJECT				

PART B - SHEET 54 of 67