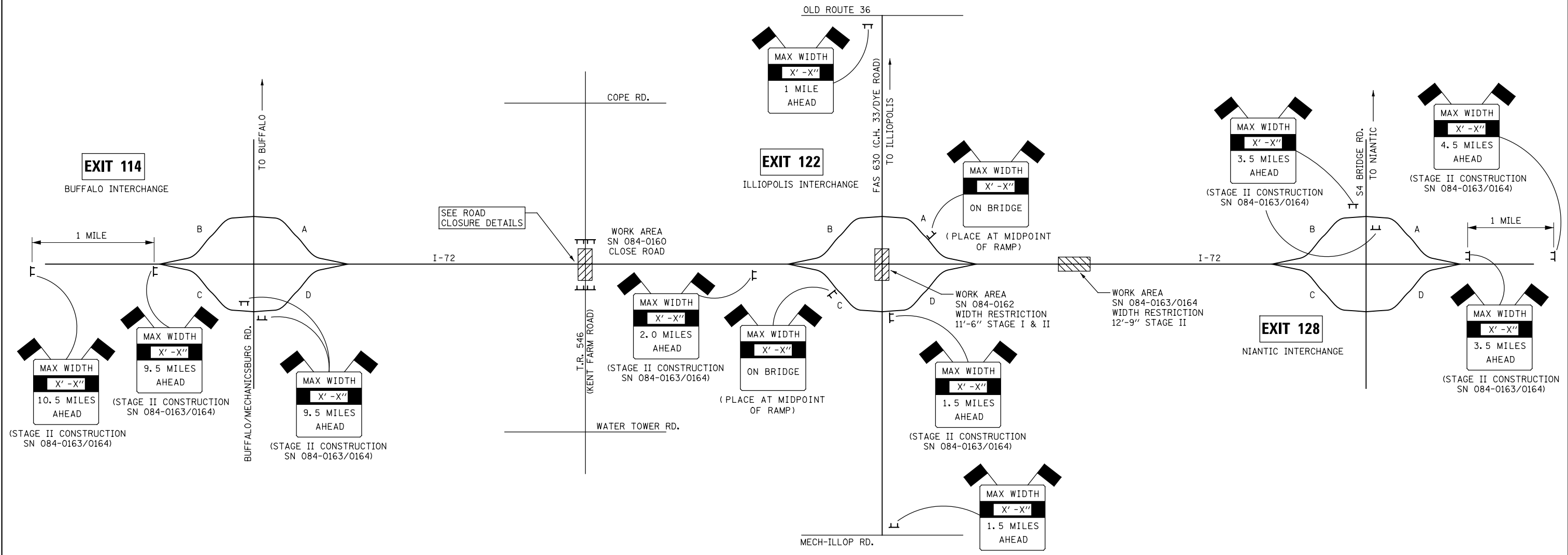


TYPICAL APPLICATION



FILE NAME =	USER NAME =	DESIGNED -	REVISED -
... \CADD\0672C88-shd-details.dgn		DRAWN -	REVISED -
		CHECKED -	REVISED -
		DATE -	REVISED -

**STATE OF ILLINOIS
DEPARTMENT OF TRANSPORTATION**

WIDTH RESTRICTION SIGNING DETAILS				
SCALE:	SHEET NO.	OF SHEETS	STA.	TO STA.

F.A.I. RTE.	SECTION	COUNTY	TOTAL SHEETS	SHEET NO.
72	(84-10-3)RS-5	SANGAMON	95	89
CONTRACT NO. 72C88				
FED. ROAD DIST. NO. ILLINOIS FED. AID PROJECT				

