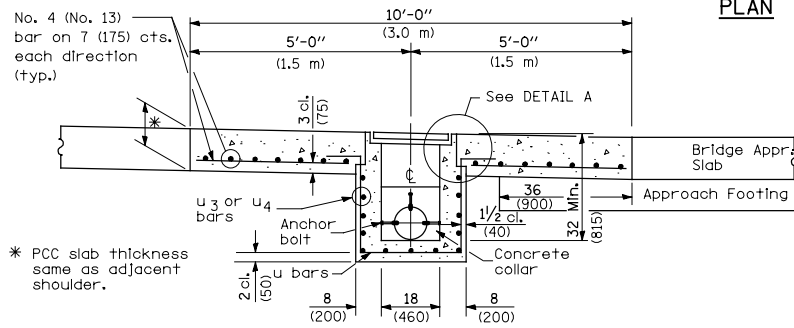
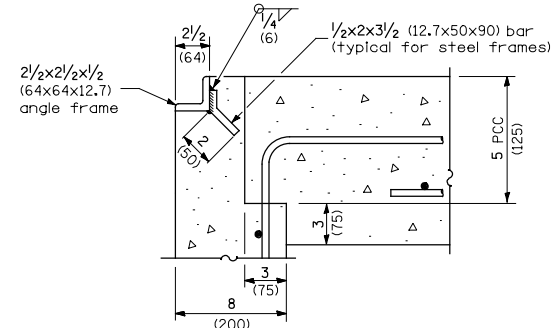


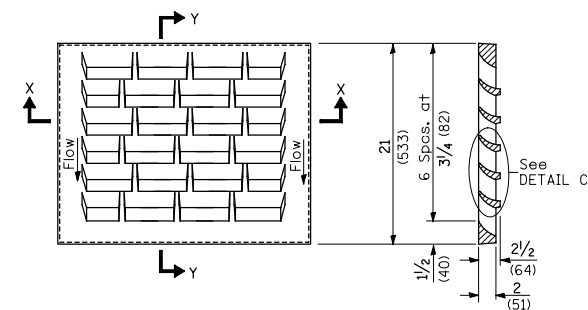
PLAN



SEC. A-A

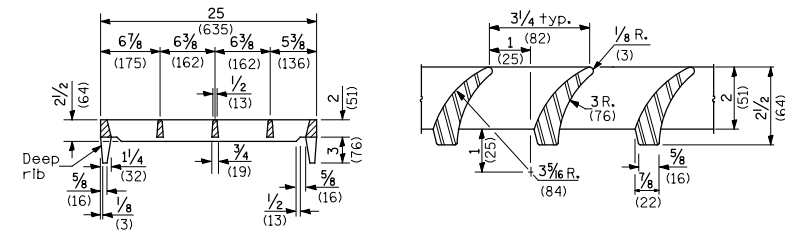


DETAIL A



DETAIL OF CAST GRATE

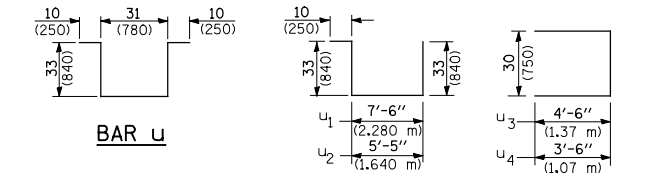
SECTION Y-Y



SECTION X-X

DETAIL C

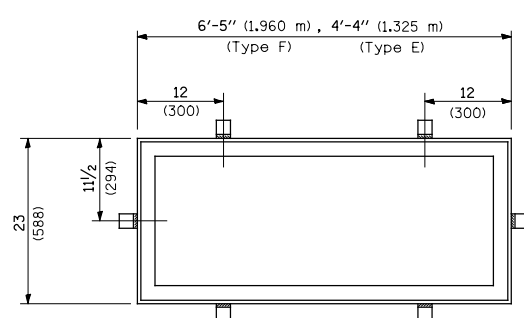
(Deep rib shall be omitted for ends) resting on frame perimeter)



BAR u

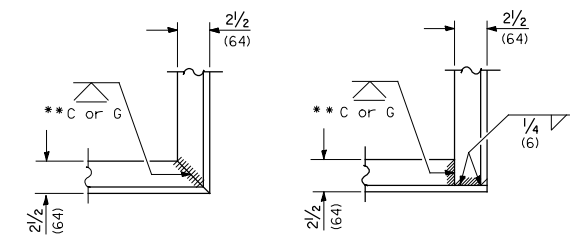
BARS u₁, u₂

BARS u₃, u₄



DETAIL OF STEEL FRAME

Cast frame to have same basic dimensions.

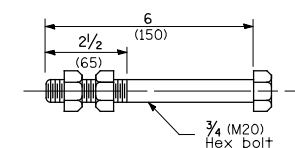


ALT. 1

ALT. 2

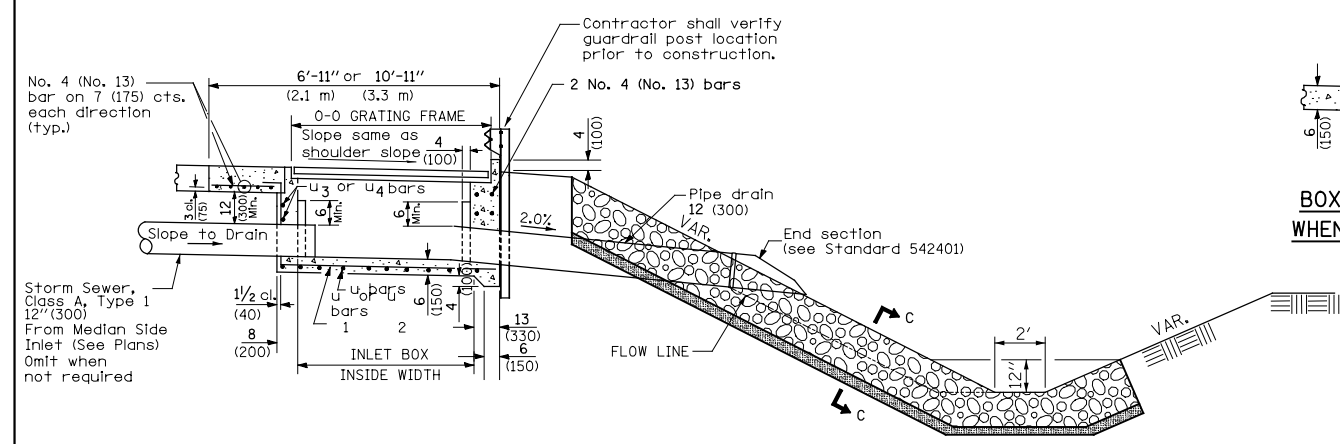
TYPICAL CORNER OF STEEL GRATING FRAME

**Cut or Grind flush

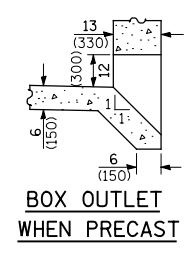


ANCHOR BOLT

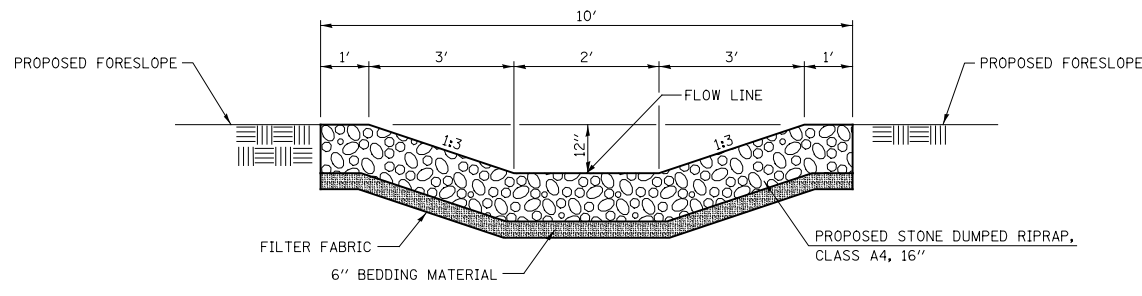
(Used to tie pipe to concrete collar)



SEC. B-B



BOX OUTLET WHEN PRECAST



SEC. C-C

INLET BOX

INLET TYPE	SHOULDER WIDTH	0-0 GRATING FRAME	INLET BOX INSIDE WIDTH	INLET BOX INSIDE LENGTH
Type E	6' (1.8 m)	4'-4" (1.325 m)	3'-11" (1.195 m)	18 (460)
Type F	10' (3.0 m)	6'-5" (1.960 m)	6'-0" (1.830 m)	18 (460)

GENERAL NOTES

See Standard 420001 for joint details not shown.

All exposed edges of the Inlet, except the upper perimeter, shall be beveled 3/4 (20).

For placement of drainage elements on existing construction with existing rigid pavement, substitute expansion anchor ties for the tie bars. For non-rigid pavements or monolithic construction of pcc slab and shoulder, omit tie bars.

The cost of PCC slab and concrete shoulder curb shall be included in the cost of Type E or F Inlet Box, Standard 610001 (SPECIAL).

The lengths of reinforcement bars used in the portland cement concrete slab shall be such as to accommodate the lengths, widths, and spacing shown on the plans.

All dimensions are in inches (millimeters) unless otherwise shown.

FILE NAME =	USER NAME =	DESIGNED -	REVISED -
... \CADD\0672C88-shd-details.dgn		DRAWN -	REVISED -
		CHECKED -	REVISED -
		DATE -	REVISED -

STATE OF ILLINOIS
DEPARTMENT OF TRANSPORTATION

SHOULDER INLET (TYPE E OR F) WCURB DETAIL

SCALE: NO SCALE SHEET NO. OF SHEETS STA. TO STA.

F.A.I. RTE.	SECTION	COUNTY	TOTAL SHEETS	SHEET NO.
72	(84-10-3)RS-5	SANGAMON	95	93
CONTRACT NO. 72C88				
FED. ROAD DIST. NO.	ILLINOIS FED. AID PROJECT			

