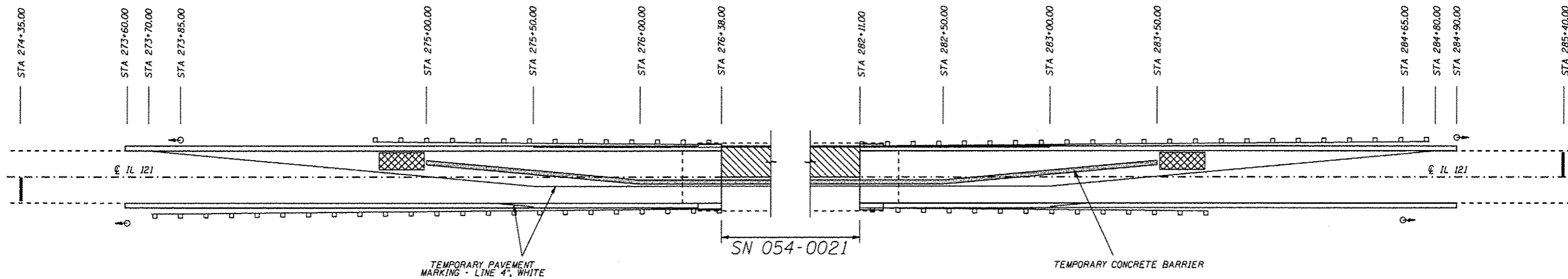
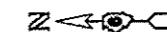


STAGE 1 TRAFFIC CONTROL PLAN



STAGE 2 TRAFFIC CONTROL PLAN

NOTES:

SIGNS, BARRICADES, AND ANY OTHER MISCELLANEOUS TRAFFIC CONTROL DEVICES NOT SHOWN ON THIS DETAIL SHALL BE AS PER STANDARD 701321-13.

SYMBOLS ON THIS DETAIL HAVE THE SAME MEANING AS THOSE SHOWN ON STANDARD 701321-13.

MILLING AND RESURFACING OPERATIONS SHALL TAKE PLACE AFTER STAGE 2 IS COMPLETE AND BARRIER WALL HAS BEEN REMOVED. TEMPORARY RAMPS AS PER SECTION 406 OF THE STANDARD SPECIFICATIONS SHALL BE USED TO FACILITATE TRAFFIC IN THE INTERIM.

TRAFFIC CONTROL PLAN
FAP 320 (IL 121)
SECTION (117) I-2
LOGAN COUNTY