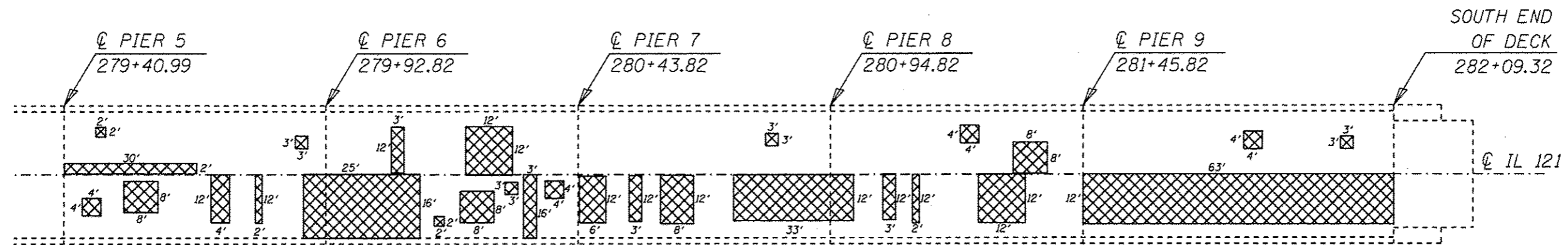


PATCHING PLAN (N. ABUT. - PIER 5)



PATCHING PLAN (PIER 5 - S. ABUT.)

 PARTIAL DEPTH PATCHING AREAS

DATE OF SURVEY 1/7/2013

PARTIAL DEPTH PATCHING = 376 SQ YD

NO PARTIAL DEPTH PATCHING QUANTITY IS INCLUDED DUE TO THE USE OF SCARIFICATION.
THIS PATCHING SURVEY IS INCLUDED FOR INFORMATION ONLY.

PARTIAL DEPTH PATCHING PLAN
FAP 320 (IL 121)
SECTION (117) I-2
LOGAN COUNTY