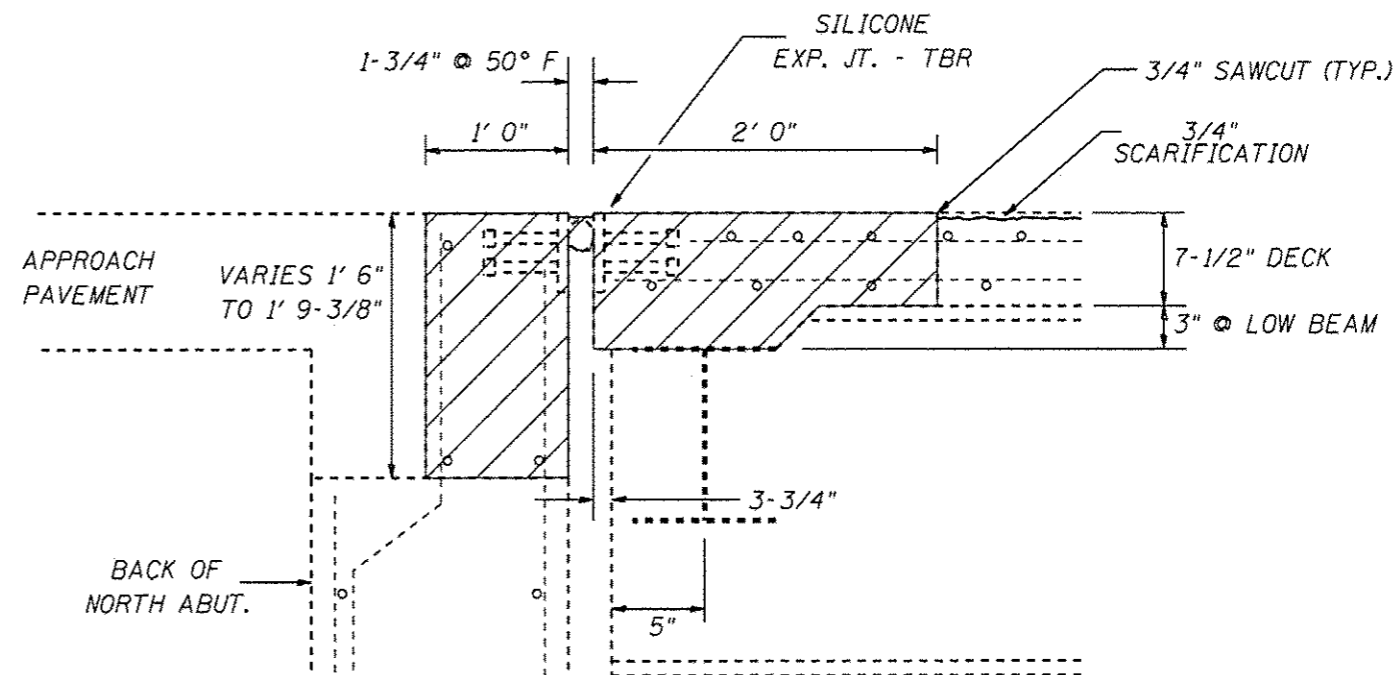


**SOUTH ABUTMENT
JOINT CROSS SECTION**



**NORTH ABUTMENT
JOINT CROSS SECTION**

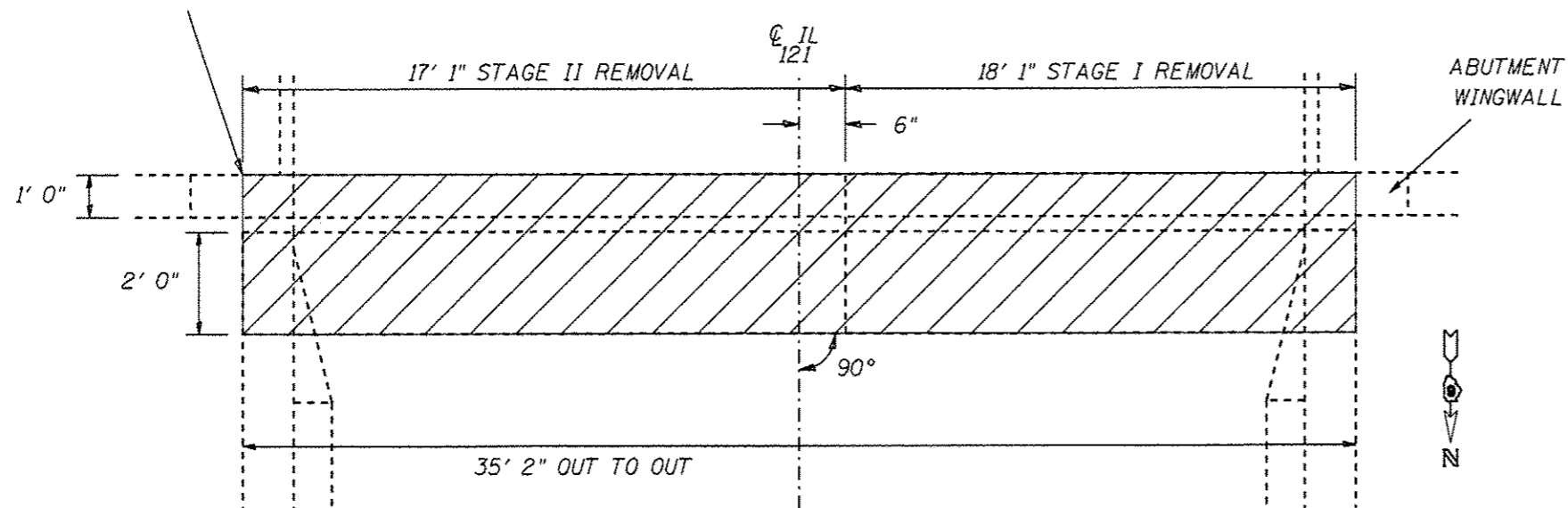


NORTH AND SOUTH ABUT. TOTAL REM.	
CONCRETE REMOVAL	10.0 CU YD

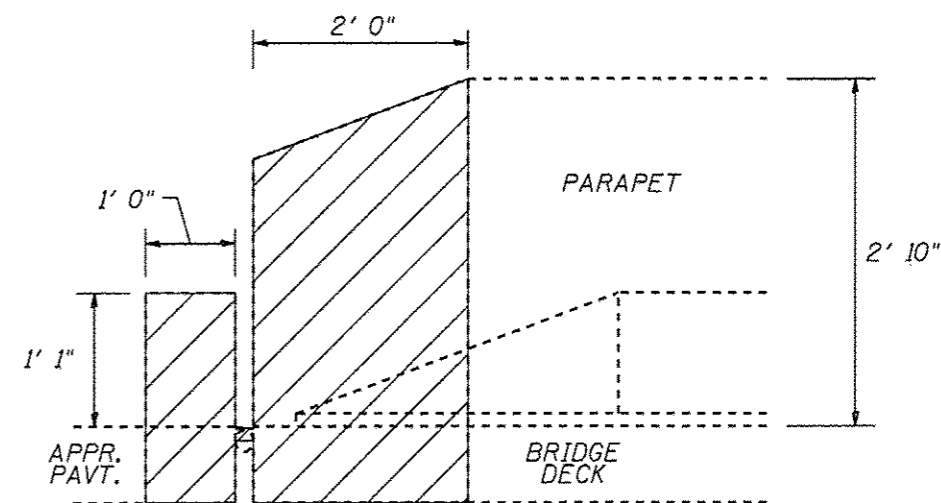
ABUTMENT WINGWALL REMOVAL SHALL STOP EVEN WITH THE BACK OF THE PARAPET AND BE THE SAME DEPTH AS THE HATCH BLOCK REMOVAL SHOWN IN THE CROSS SECTION.

THE COST FOR ANY EARTH EXCAVATION BEHIND THE WINGWALL THAT IS NECESSARY FOR FORMING THE PROPOSED CONCRETE SUPERSTRUCTURE SHALL BE INCLUDED IN THE BID PRICE FOR CONCRETE SUPERSTRUCTURE.

NOTE: THE COST OF JOINT REMOVAL AND DISPOSAL SHALL BE PAID AS CONCRETE REMOVAL.



**PLAN VIEW
(SOUTH ABUT. SHOWN, NORTH ABUT. SIMILAR)**



ELEVATION VIEW, INSIDE PARAPET FACE

ABUT. JT. REMOVAL DETAILS
FAP 320 (IL 121)
SECTION (117) I-2
LOGAN COUNTY