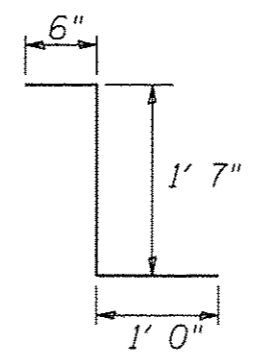
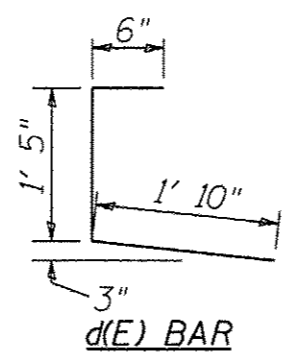
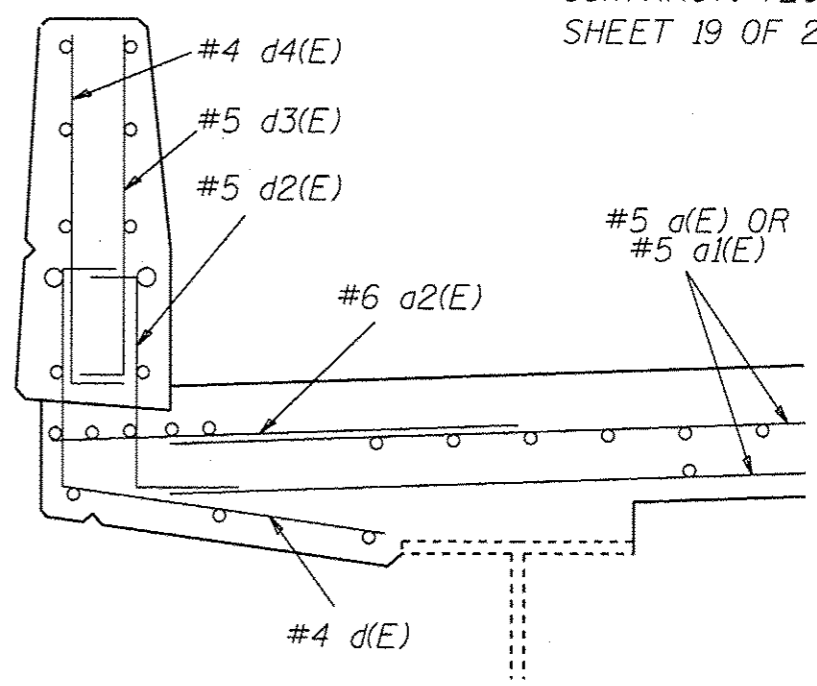


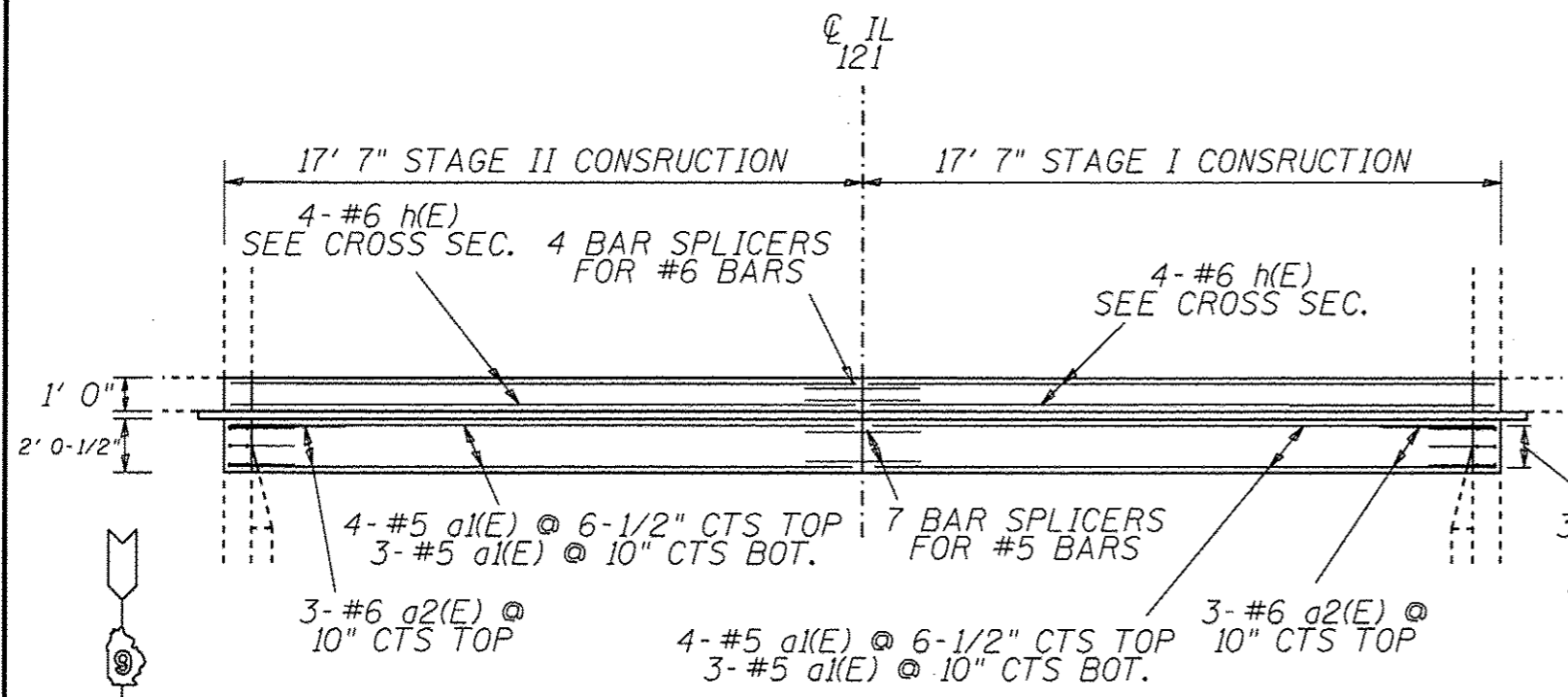
JOINT CROSS SECTION



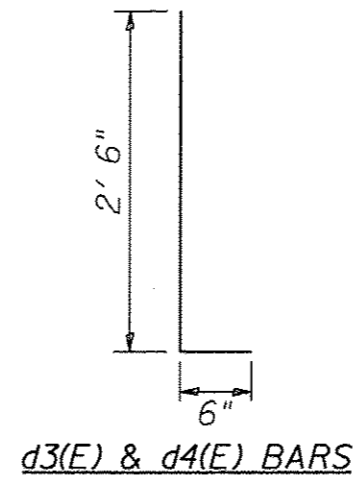
d2(E) BAR



TYPICAL PARAPET CROSS SECTION



JOINT PLAN



3 - #5 d2(E) & d3(E) @ +/- 12" FRONT PARAPET FACE  
3 - #4 d(E) & d4(E) @ +/- 12" BACK PARAPET FACE (TYP. BOTH SIDES)

SOUTH ABUTMENT BILL OF MATERIAL				
BAR	#	SIZE	LENGTH	SHAPE
d1(E)	14	5	16' 9"	—
a2(E)	6	6	4' 0"	—
d(E)	6	4	3' 9"	L
d2(E)	6	5	3' 1"	L
d3(E)	6	5	3' 0"	—
d4(E)	6	4	3' 0"	—
h(E)	8	6	16' 9"	—
REINFORCEMENT BARS - EPOXY COATED			548 LB	
BAR SPLICERS			11 EACH	
CONCRETE SUPERSTRUCTURE			5.5 CU YD	

S. ABUT. JOINT REPLACEMENT  
FAP 320 (IL 121)  
SECTION (117) I-2  
LOGAN COUNTY