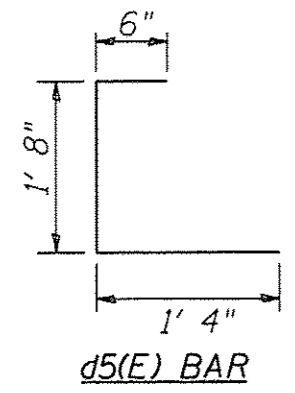
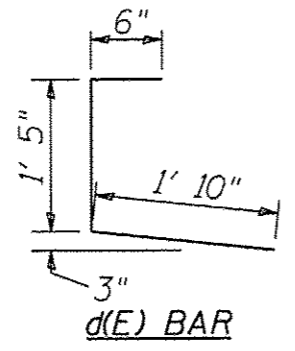


JOINT CROSS SECTION

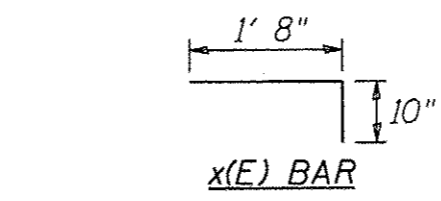


d5(E) BAR

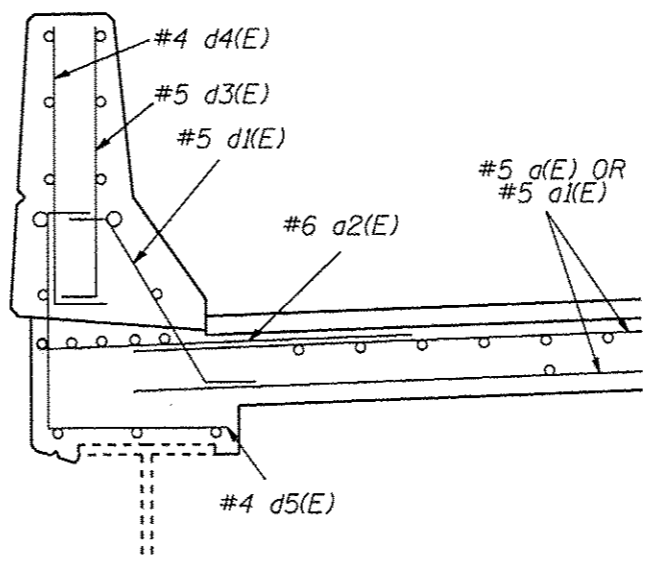


d(E) BAR

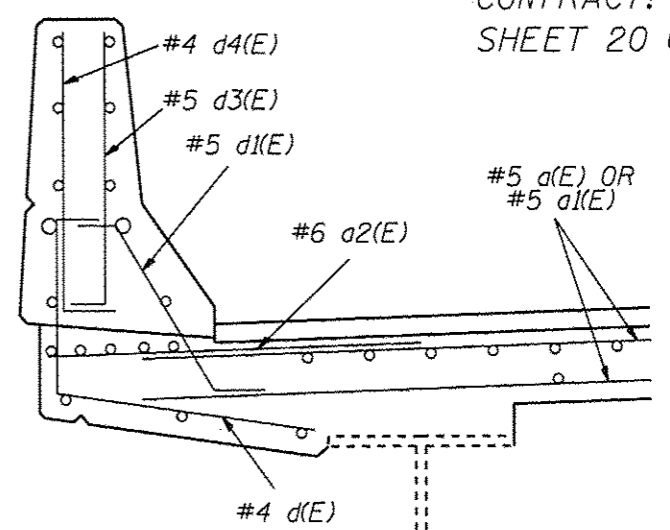
d1(E) BAR



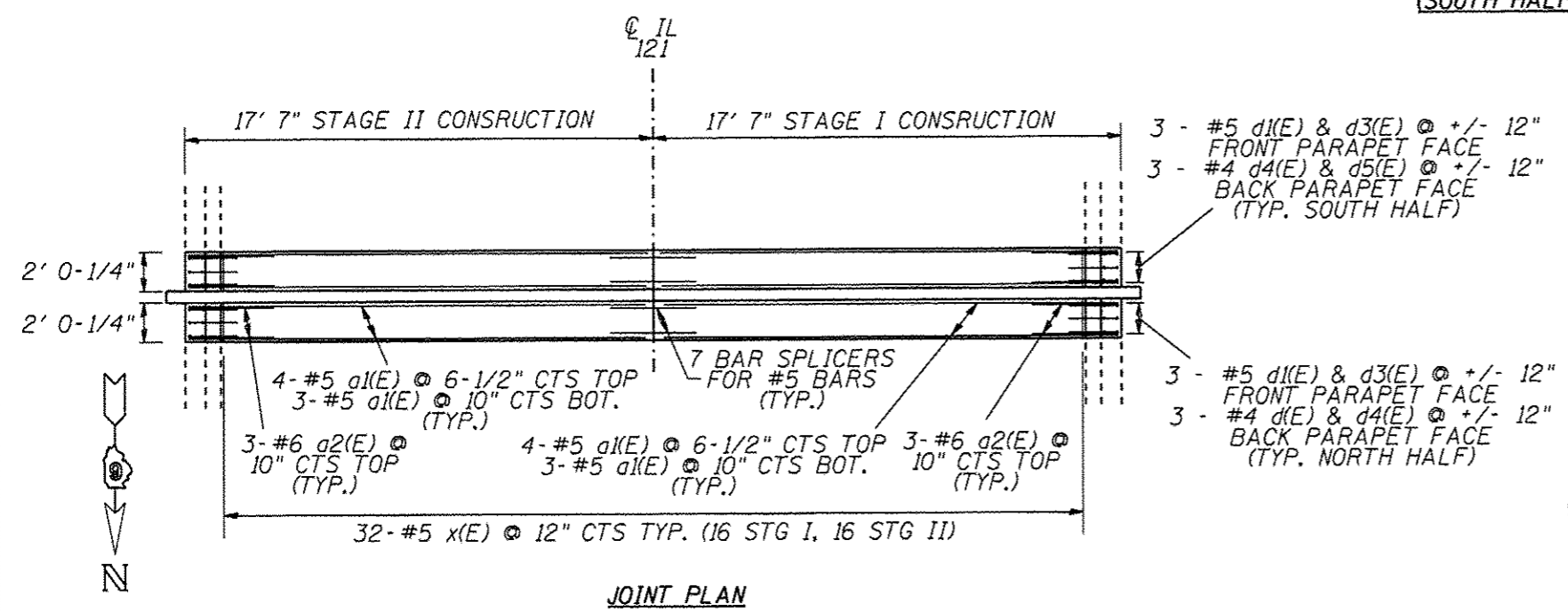
x(E) BAR



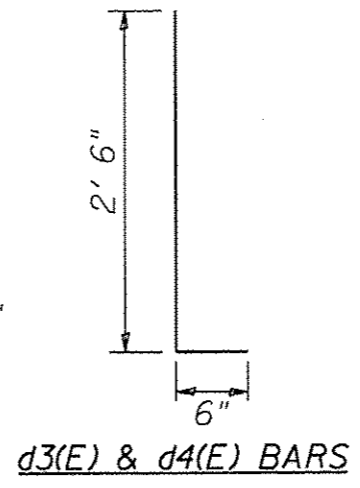
TYPICAL PARAPET CROSS SECTION (SOUTH HALF OF JOINT)



TYPICAL PARAPET CROSS SECTION (NORTH HALF OF JOINT)



JOINT PLAN



d3(E) & d4(E) BARS

PIER 2 BILL OF MATERIAL				
BAR	#	SIZE	LENGTH	SHAPE
a1(E)	28	5	16' 9"	—
a2(E)	12	6	4' 0"	—
d(E)	6	4	3' 9"	L
d1(E)	12	5	2' 7"	∩
d3(E)	12	5	3' 0"	—
d4(E)	12	4	3' 0"	—
d5(E)	6	4	3' 6"	L
x(E)	64	5	2' 6"	—
REINFORCEMENT BARS - EPOXY COATED				792 LB
BAR SPLICERS				14 EACH
CONCRETE SUPERSTRUCTURE				6.4 CU YD

PIER 2 JOINT REPLACEMENT
FAP 320 (IL 121)
SECTION (117) I-2
LOGAN COUNTY