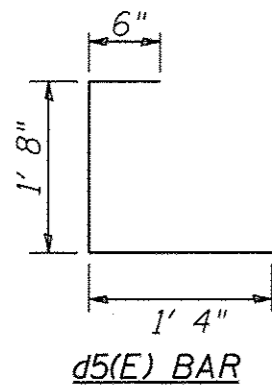
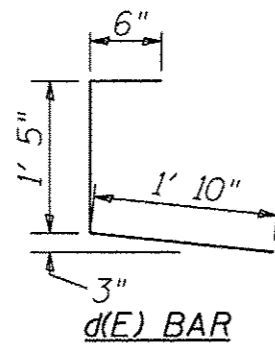


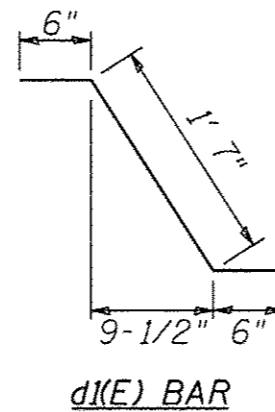
JOINT CROSS SECTION



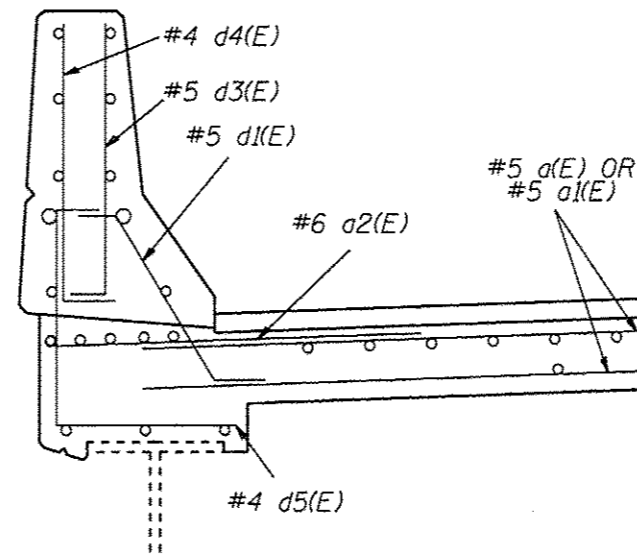
d5(E) BAR



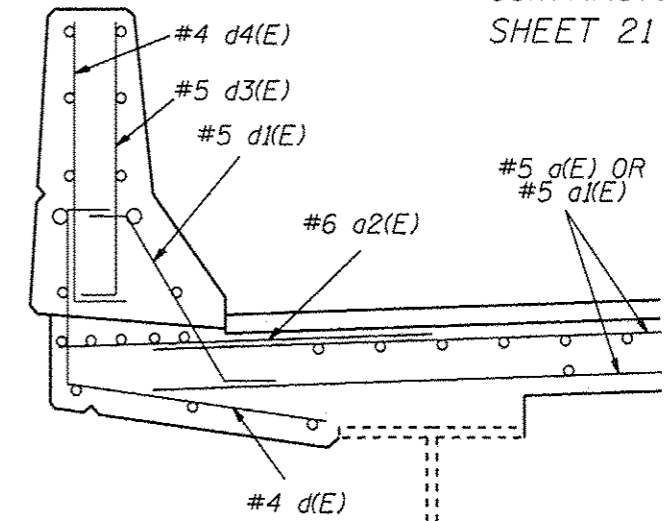
d(E) BAR



d1(E) BAR

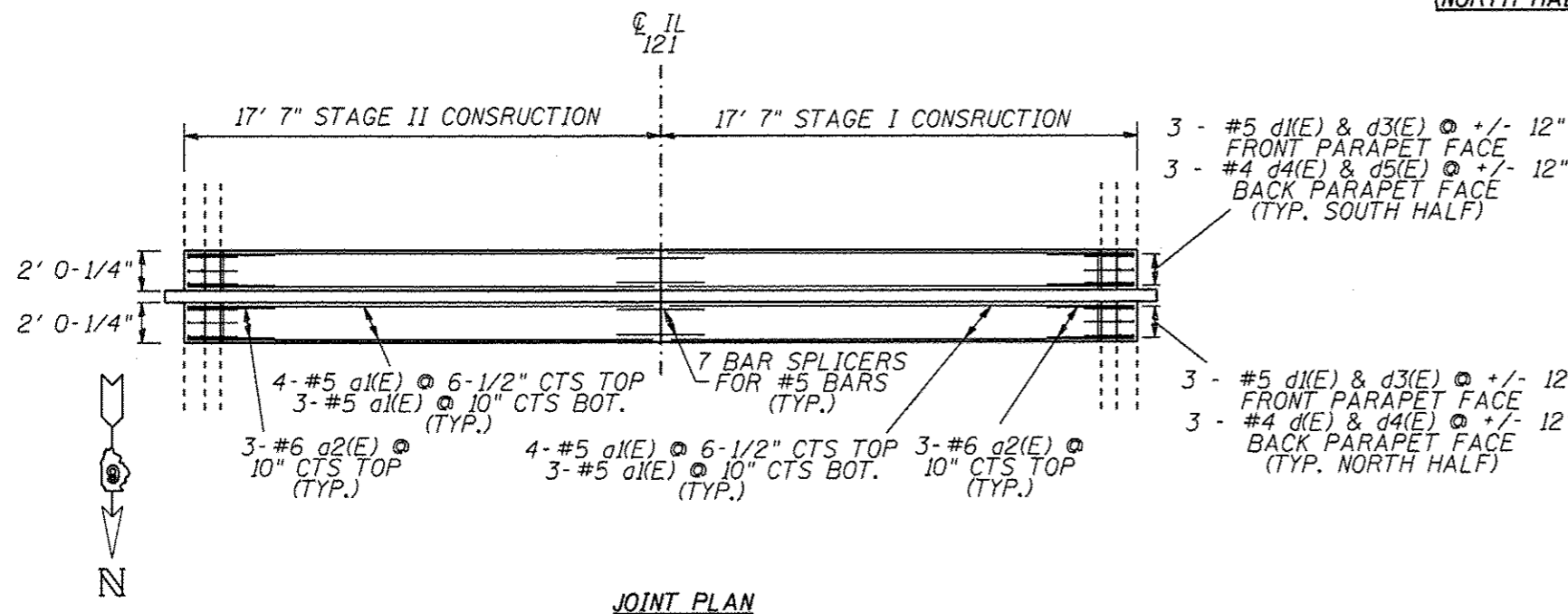


TYPICAL PARAPET CROSS SECTION (NORTH HALF OF JOINT)

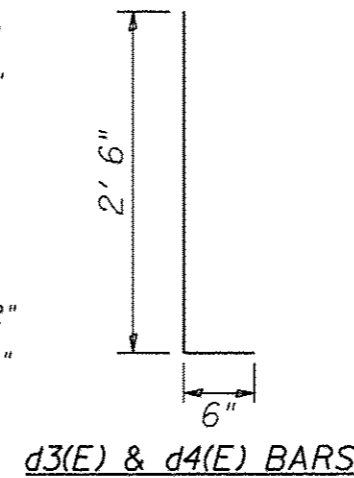


TYPICAL PARAPET CROSS SECTION (SOUTH HALF OF JOINT)

PIER 5 BILL OF MATERIAL				
BAR	#	SIZE	LENGTH	SHAPE
d1(E)	28	5	16' 9"	—
a2(E)	12	6	4' 0"	—
d(E)	6	4	3' 9"	L
d1(E)	12	5	2' 7"	∩
d3(E)	12	5	3' 0"	—
d4(E)	12	4	3' 0"	—
d5(E)	6	4	3' 6"	L
REINFORCEMENT BARS - EPOXY COATED			685 LB	
BAR SPLICERS			14 EACH	
CONCRETE SUPERSTRUCTURE			6.4 CU YD	



JOINT PLAN



d3(E) & d4(E) BARS

PIER 5 JOINT REPLACEMENT
FAP 320 (IL 121)
SECTION (117) I-2
LOGAN COUNTY