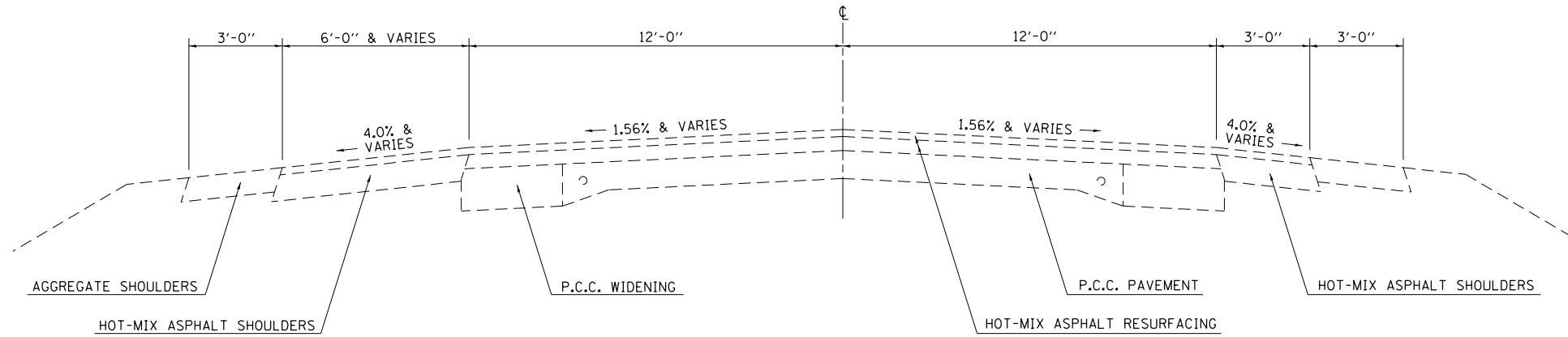


EXISTING TYPICAL CROSS SECTION

U. S. ROUTE 45

STA. 116+81.00 TO STA. 121+00.00

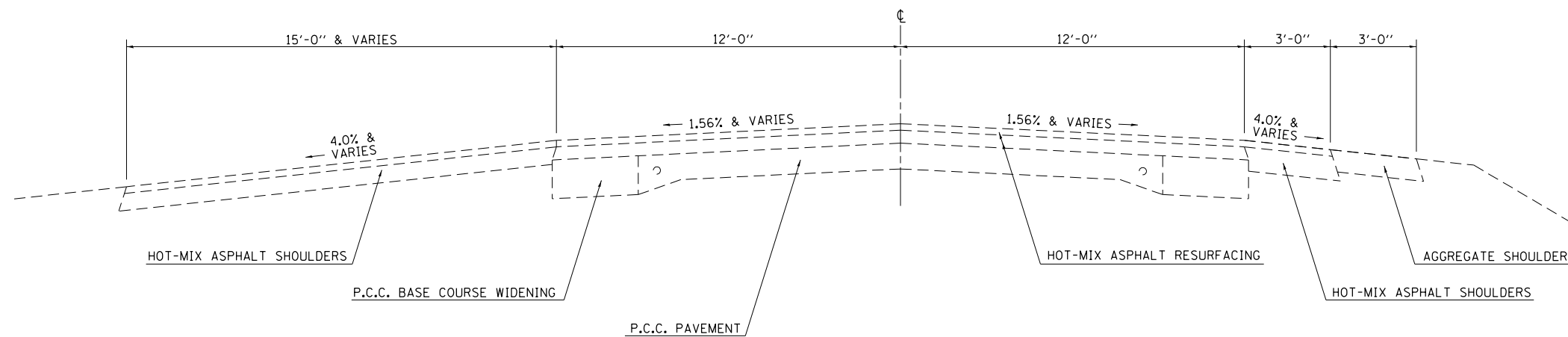


NOTE: NOT DRAWN TO SCALE

EXISTING TYPICAL CROSS SECTION

U. S. ROUTE 45

STA. 121+00.00 TO STA. 127+59.00



NOTE: NOT DRAWN TO SCALE

FILE NAME = c:\pwork\pwork\stefhenk\d0249325\74511-sh-typicals.dgn	USER NAME = stefhenk	DESIGNED -	REVISED -	STATE OF ILLINOIS DEPARTMENT OF TRANSPORTATION	EXISTING TYPICAL CROSS SECTION			F.A.P. RTE.	SECTION	COUNTY	TOTAL SHEETS	SHEET NO.
	PLOT SCALE = 100.0000' / 1" =	CHECKED -	REVISED -					824	(19,20)RS-4	COLES	56	8
PLOT DATE = 10/2/2012	DATE -	REVISED -	SCALE: NA		SHEET NO. 3 OF 6 SHEETS	STA.	TO STA.	ILLINOIS FED. AID PROJECT				
CONTRACT NO. 74511												