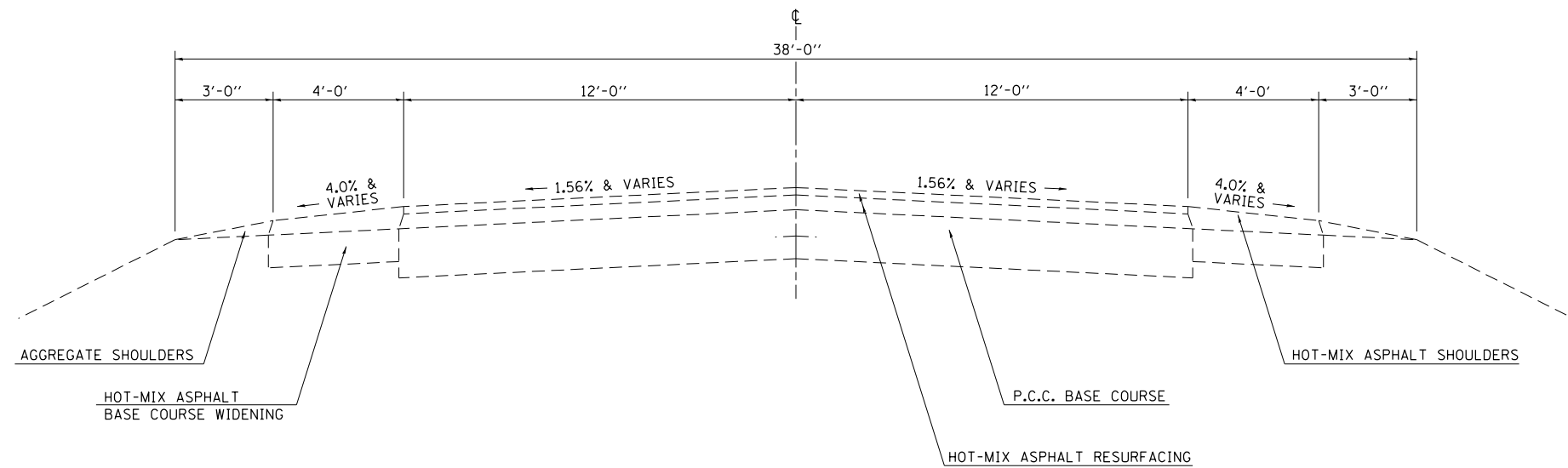


EXISTING TYPICAL CROSS SECTION

U. S. ROUTE 45

STA. 220+04.50 TO STA. 220+56.43

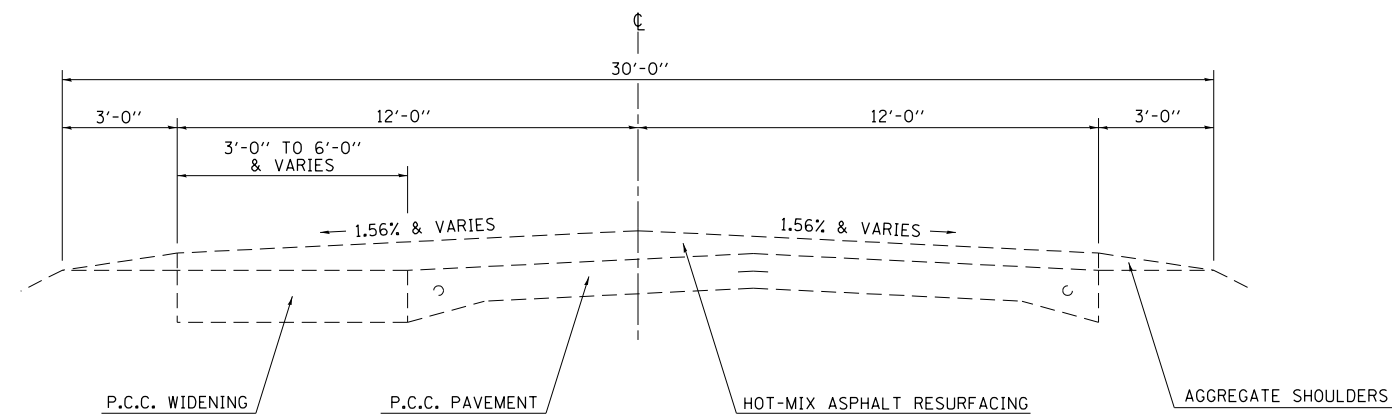


NOTE: NOT DRAWN TO SCALE

EXISTING TYPICAL CROSS SECTION

U. S. ROUTE 45

STA. 222+62.50 TO STA. 254+39.00



NOTE: NOT DRAWN TO SCALE

FILE NAME =	USER NAME = steffenmk	DESIGNED -	REVISED -	STATE OF ILLINOIS DEPARTMENT OF TRANSPORTATION	EXISTING TYPICAL CROSS SECTION			F.A.P. RTE.	SECTION	COUNTY	TOTAL SHEETS	SHEET NO.	
ci:\pwork\pwork\dot\steffenmk\d0249325\d74511-sh-typicals.dgn		DRAWN -	REVISED -					824	(19,20)RS-4	COLES	56	10	
	PLOT SCALE = 100.0000' / 1in.	CHECKED -	REVISED -		SCALE: NA			SHEET NO. 5 OF 6 SHEETS		STA. TO STA.		CONTRACT NO. 74511	
	PLOT DATE = 10/2/2012	DATE -	REVISED -		ILLINOIS FED. AID PROJECT								