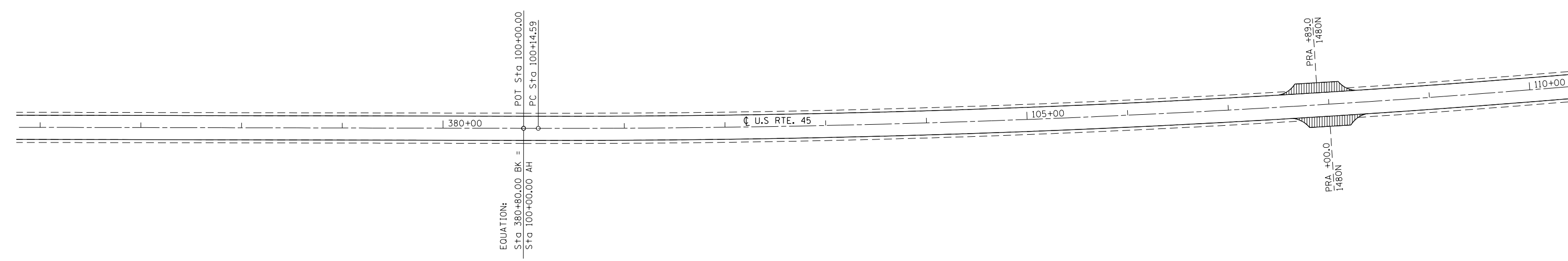


INCIDENTAL HOT-MIX ASPHALT SURFACING



INCIDENTAL HOT-MIX ASPHALT SURFACING

FILE NAME =	USER NAME = steffenmk	DESIGNED -	REVISED -
ci:\pw\work\p\idot\steffenmk\d0249325\d74511-sh\plan.dgn		DRAWN -	REVISED -
	PLOT SCALE = 100.0000' / 1in.	CHECKED -	REVISED -
	PLOT DATE = 10/2/2012	DATE -	REVISED -

**STATE OF ILLINOIS
DEPARTMENT OF TRANSPORTATION**

PLAN SHEET

SCALE: 50 SHEET NO. 13 OF 21 SHEETS STA. 361+00 TO STA. 110+00

F.A.P. RTE.	SECTION	COUNTY	TOTAL SHEETS	SHEET NO.
824	(19,20)RS-4	COLES	56	39
CONTRACT NO. 74511				
ILLINOIS FED. AID PROJECT				