
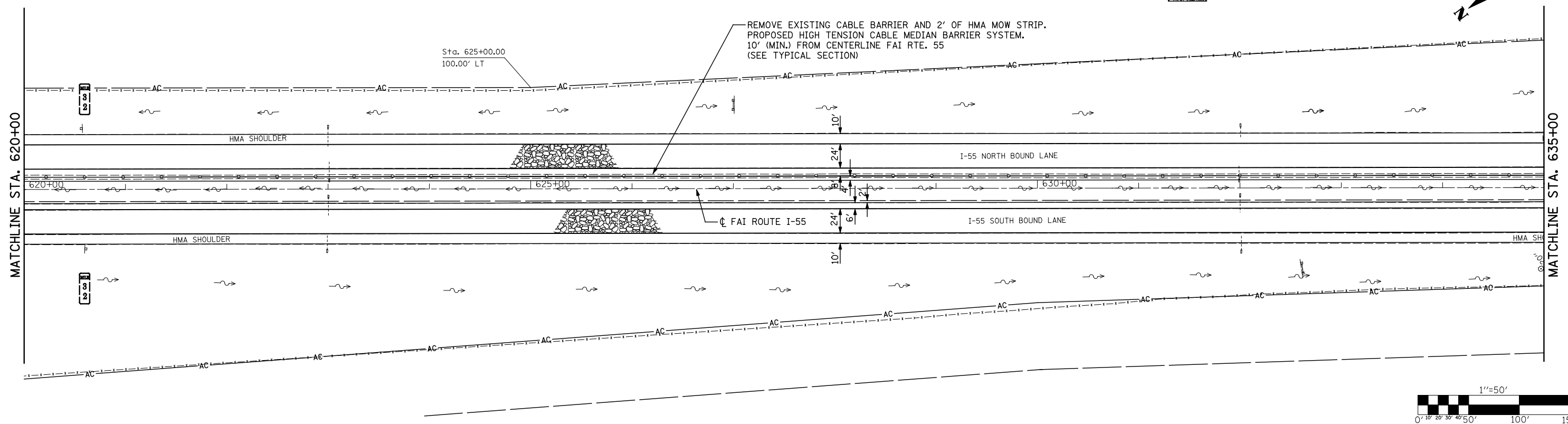


PLAN	SURVEYED	DATE
	PLOTTED	BY
	GRADES CHECKED	
	STRUCTURE NOTATIONS CHECKED	
	NOTE BOOK NO.	
	CHECKED	
	DATE	

PROFILE	SURVEYED	DATE
	PLOTTED	BY
	GRADES CHECKED	
	STRUCTURE NOTATIONS CHECKED	
	NOTE BOOK NO.	
	CHECKED	
	DATE	

 - RUBBLIZE THE EXISTING P.C.C. PAVEMENT (USING METHOD I)



STATION	EXIST. ELEV.	PROPOSED HMA SURFACE (FD) 11 1/2" EXIST. (NB I-55)	EXIST. TOP CONC. (NB I-55)	PROPOSED HMA SURFACE REMOVAL (VAR. DEPTH) (TYPICAL)	EXIST. TOP CONC. (SB I-55)	PROPOSED HMA SURFACE (FD) 11 1/2" EXIST. (SB I-55)	EXIST. ELEV.
620+00	562.84		563.42		562.81		562.81
621+00	562.87		563.48		562.79		562.79
622+00	562.91		563.58		562.80		562.80
623+00	562.96		563.73		562.88		562.88
624+00	563.17		564.44		563.09		563.09
625+00	563.40		564.16		563.31		563.31
626+00	563.65		564.44		563.57		563.57
627+00	563.89		564.72		563.82		563.82
628+00	564.10		564.96		564.01		564.01
629+00	564.30		565.14		564.20		564.20
630+00	564.42		565.29		564.34		564.34
631+00	564.50		565.38		564.47		564.47
632+00	564.55		565.43		564.51		564.51
633+00	564.56		565.43		564.55		564.55
634+00	564.53		565.38		564.48		564.48
635+00	564.45		565.29		564.40		564.40
	564.33		565.15		564.19		564.19
	564.16		564.97		563.98		563.98
	563.96		564.74		563.81		563.81
	563.70		564.46		563.64		563.64
	563.40		564.13		563.30		563.30
	563.04		563.76		562.96		562.96
	562.63		563.34		562.54		562.54
	562.17		562.88		562.06		562.06
	561.64		562.37		561.49		561.49
	561.06		561.81		560.87		560.87
	560.45		561.21		560.27		560.27
	559.83		560.60		559.70		559.70
	559.33		560.09		559.20		559.20
	558.91		559.70		558.80		558.80
	558.65		559.41		558.47		558.47

FILE NAME = ...\\eadd\0876D99-Sht-P1nprf8.dgn	USER NAME = \$(USER)	DESIGNED -	REVISD -	STATE OF ILLINOIS DEPARTMENT OF TRANSPORTATION	FAI ROUTE 55 (I-55)	F.A.I. RTE. 55	SECTION 60-(1,2)RS-3	COUNTY MADISON	TOTAL SHEETS 212	SHEET NO. 42	
PLOT SCALE = 100.0000' / IN.		DRAWN -	REVISD -			SCALE: 1" = 50'	SHEET NO. OF SHEETS	STA. 620+00 TO STA. 635+00	CONTRACT NO. 76D99		ILLINOIS FED. AID PROJECT
PLOT DATE = 02/02/2012 17:36:54		CHECKED -	REVISD -								
		CHECKED -	REVISD -								