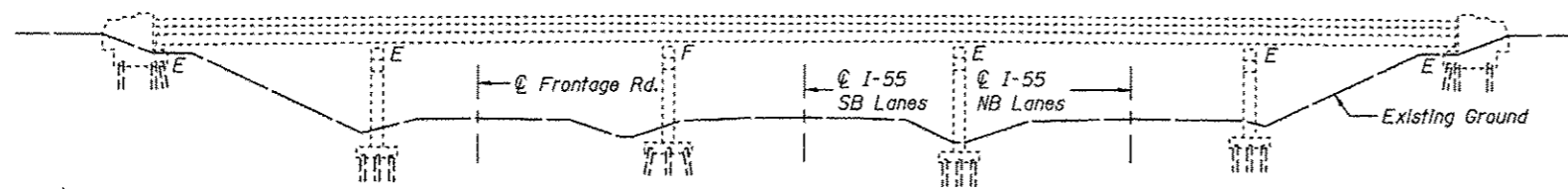
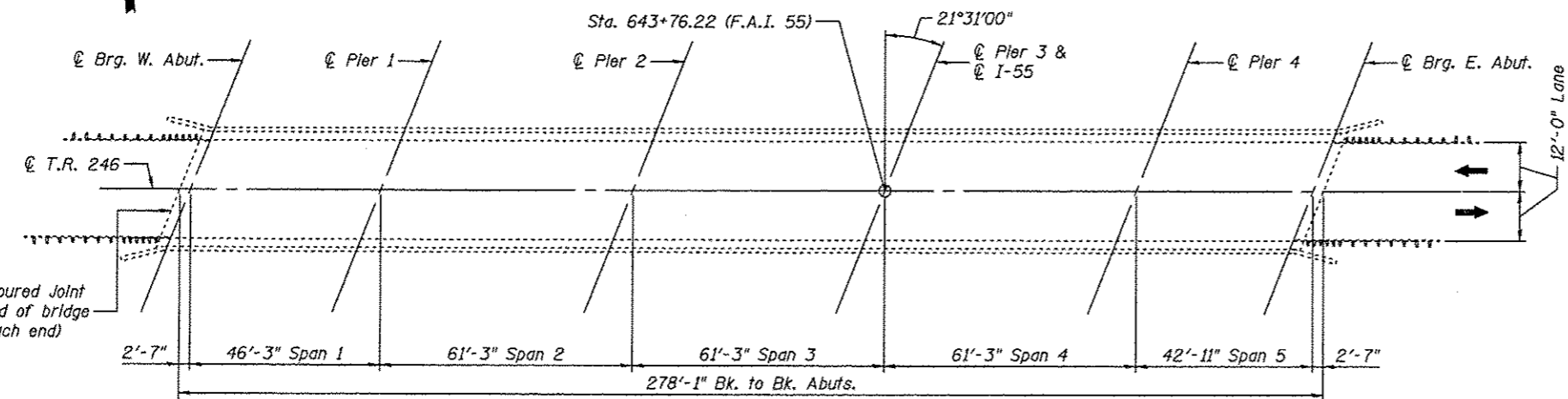


EXISTING STRUCTURE: S.N. 060-0181, originally constructed in 1966 as F.A.I. Route 55 Section 60-2HB at Station 643+86.60, using steel I-beams with 7" concrete deck, 5 spans, 278'-1" back-back abutments, 30'-0" out-out width, stub abutments on concrete piles, hammerhead pier with footing on timber piles. Microsilica concrete deck overlay added in 2004.

Stage Construction shall be used to maintain one lane of traffic.



ELEVATION



PLAN

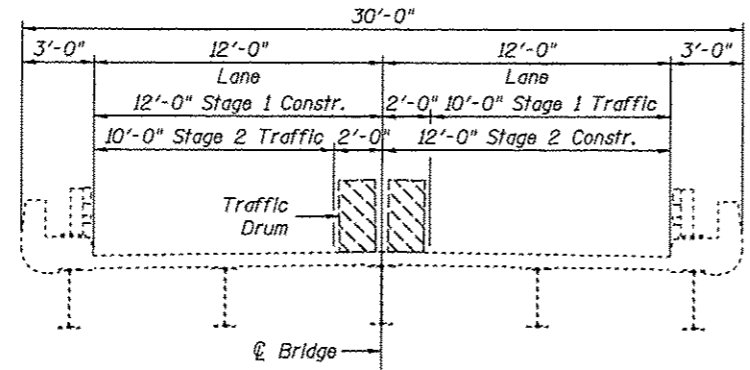
Apply Hot-Poured Joint Sealer at end of bridge deck (typ. each end)

GENERAL NOTES

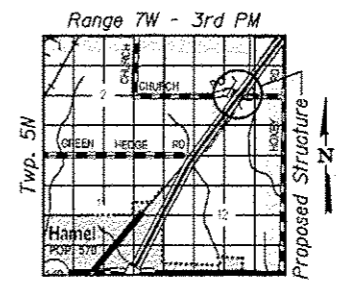
Concrete Sealer shall be applied to the surfaces of the deck and parapets, including wings. See Special Provisions for BRIDGE DECK CONCRETE SEALER.

TOTAL BILL OF MATERIAL

ITEM	UNIT	SUPER	SUB	TOTAL
Joint or Crack Filling	Pound	72	--	72
Bridge Deck Concrete Sealer	Sq Ft	9665	--	9665



CROSS SECTION
(Looking East)



LOCATION SKETCH

GENERAL PLAN & ELEVATION
TR 246 (CHURCH ROAD) OVER I-55
F.A.I. RTE. 55 SECTION 60-1,2(RS-3)
MADISON COUNTY
STATION 643+76.22
STRUCTURE NO. 060-0181

FILE: J:\J0010210 L-28\112 F-55 Rehabilitation-2\U-S060028-ChurchRd\0600181-7699-01-gplan.dgn



Signed: *David C. Depp*
Date: 2-1-2012
Lic. Expires: 11-30-2012

FILE NAME * ...0600181-7699-001-gplan.dgn	USER NAME * DCD	DESIGNED - DCD	REVISED -	STATE OF ILLINOIS DEPARTMENT OF TRANSPORTATION	GENERAL PLAN & ELEVATION STRUCTURE NO. 060-0181	F.A.I. RTE. 55	SECTION 60-1,2(RS-3)	COUNTY MADISON	TOTAL SHEETS 212	SHEET NO. 105
PLOT SCALE *	PLOT DATE * 02/01/2012 14:07:57	CHECKED - MGB	REVISED -			STA. 643+76.22	CONTRACT NO. 76D99			
DRAWN - P. Roy	CHECKED - DCD	REVISED -	REVISED -			ILLINOIS FED. AID PROJECT				
SHEET NO. 1 OF 1 SHEETS										