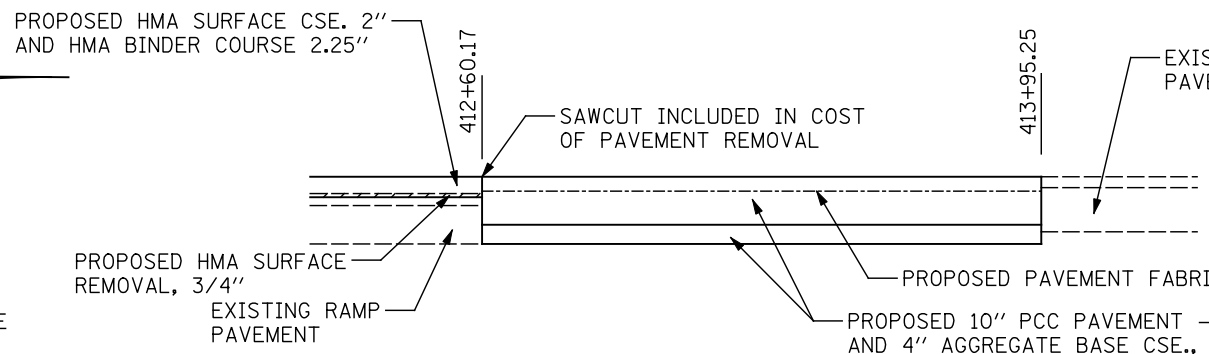


ISLAND DETAILS
(INTERMEDIATE ISLAND)

PAVEMENT ELEVATIONS

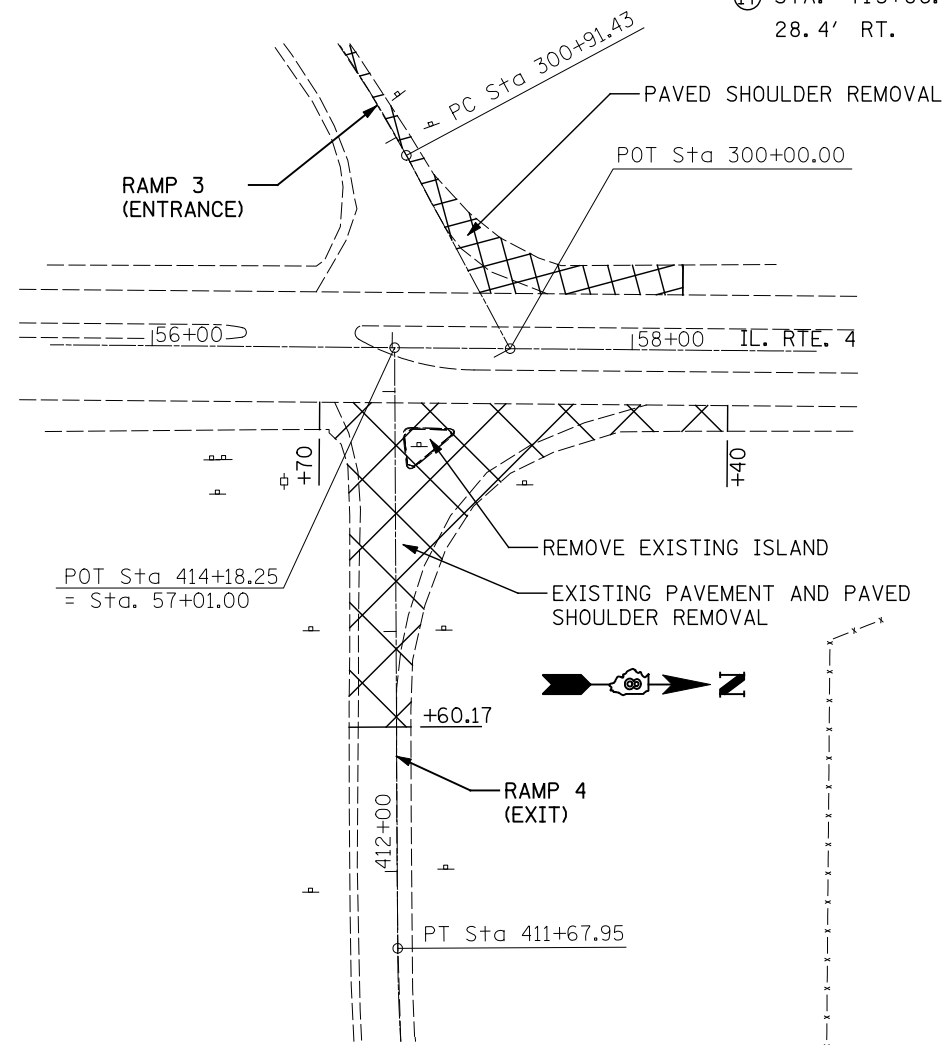
ISLAND	ELEV.
⑮ STA. 413+87.25	577.07
⑯ STA. 413+63.25	576.71
⑰ STA. 413+86.86,	576.51
28.4' RT.	



SECTION A-A

PAVEMENT ELEVATIONS

RT. EOP IL RTE 4	ELEV.
⑦ STA. 56+70	577.61
⑧ STA. 56+78.75	577.47
⑨ STA. 57+25	576.73
⑩ STA. 57+50	576.36
⑪ STA. 57+75	576.00
⑫ STA. 58+00	575.66
⑬ STA. 58+25	575.33
⑭ STA. 58+40	575.14



REMOVAL ITEMS



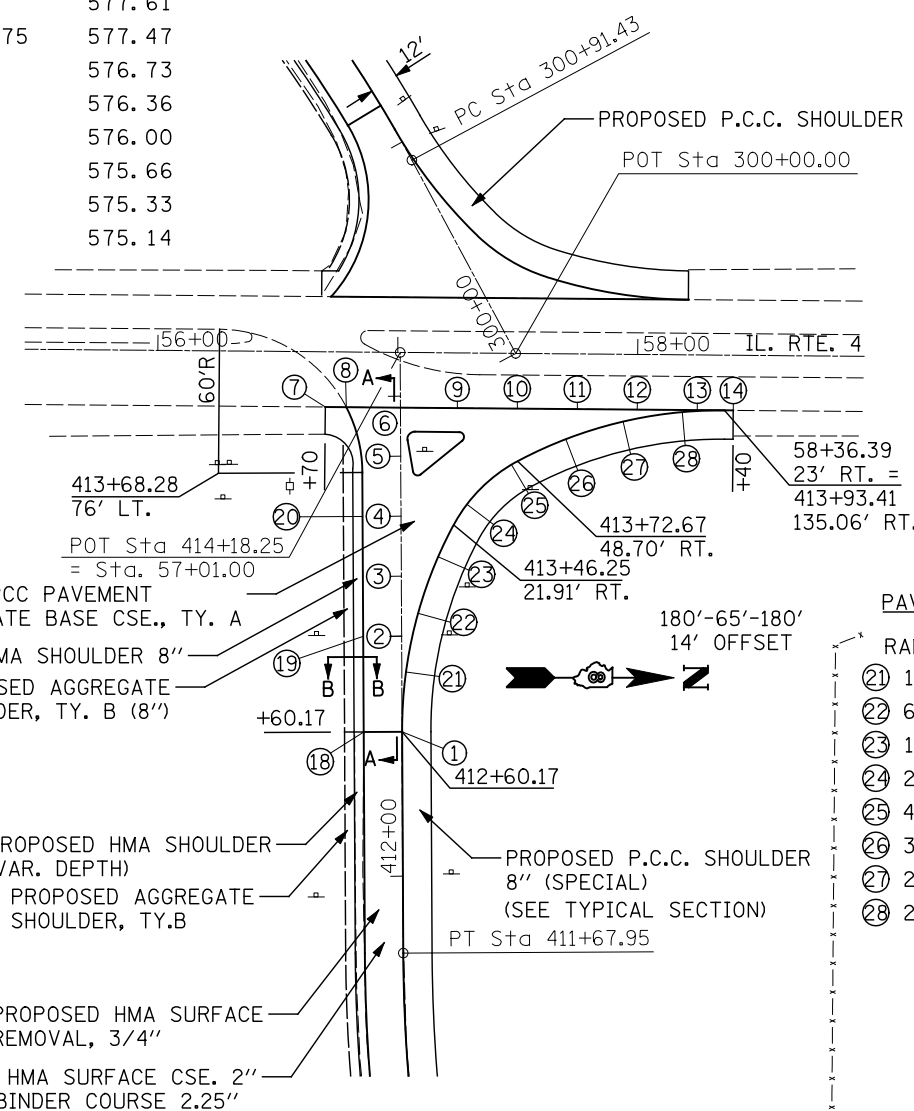
- ITEMS TO BE REMOVED

PAVEMENT ELEVATIONS

RAMP 4-LT. EOP	ELEV.
⑱ 16' LT., STA. 412+60.17	575.39
⑲ 16' LT., STA. 413+00	575.99
⑳ 16' LT., STA. 413+50	576.75

PAVEMENT ELEVATIONS

RAMP 4	ELEV.
① STA. 412+60.17	575.15
② STA. 413+00	575.75
③ STA. 413+25	576.13
④ STA. 413+50	576.51
⑤ STA. 413+75	576.88
⑥ STA. 413+95.25	577.19
= 23' RT., STA. 57+01.31 IL. 4	



PAVEMENT ELEVATIONS

RAMP 4-RT. EOP	ELEV.
⑳ 1.73' RT., STA. 412+85.09	575.50
㉑ 6.90' RT., STA. 413+09.53	575.75
㉒ 15.40' RT., STA. 413+33.02	575.95
㉓ 27.50' RT., STA. 413+54.82	576.03
㉔ 46.37' RT., STA. 57+47.78	575.95
㉕ 35.57' RT., STA. 57+70.31	575.81
㉖ 28.03' RT., STA. 57+94.12	575.64
㉗ 23.87' RT., STA. 58+18.75	575.40

INTERSECTION DETAILS AND PAVEMENT ELEVATIONS