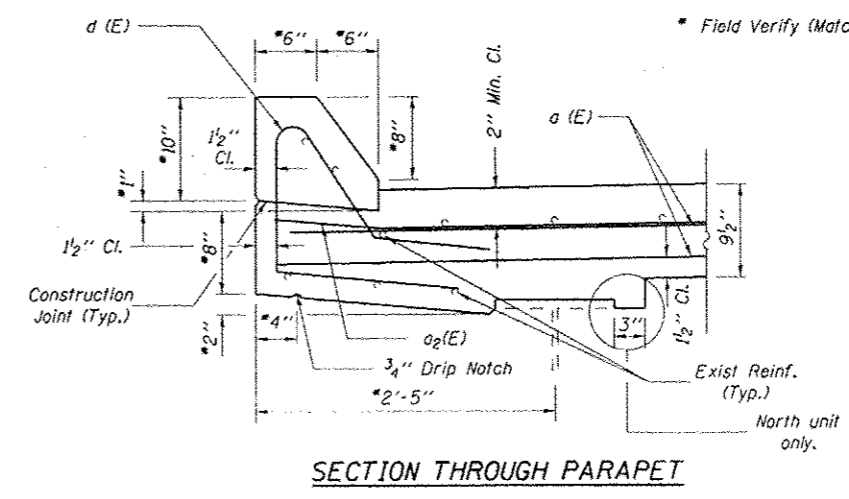
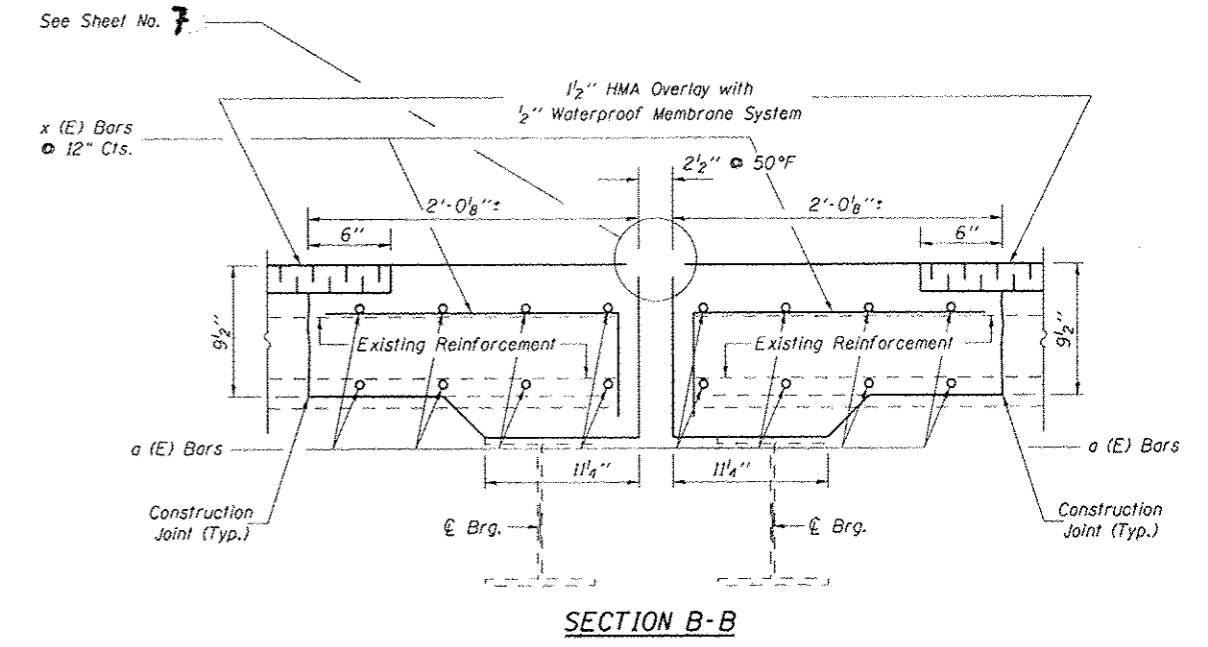
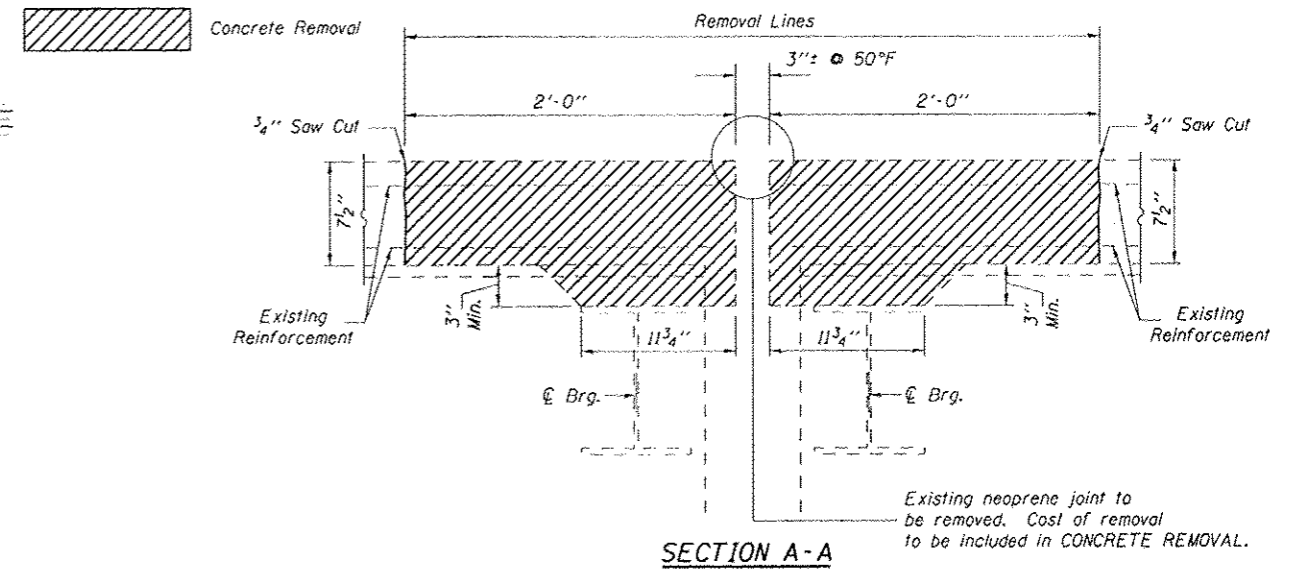
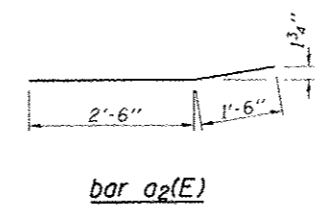
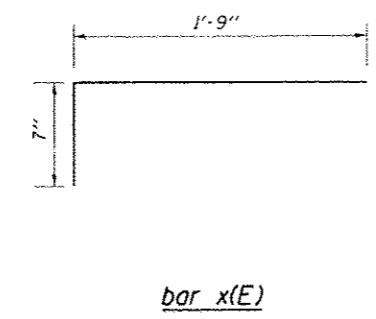
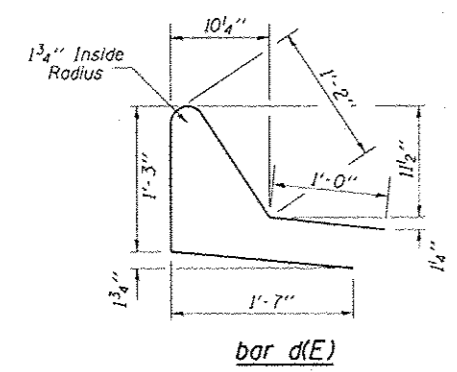


**JOINT @ PIER #3
SHOWING NEW CONCRETE**

**JOINT @ PIER #3
SHOWING CONCRETE REMOVAL**



BILL OF MATERIAL

028-0034 - PIER #3			
BAR NO.	SIZE	LENGTH	SHAPE
a(E)	#5	16'-9"	
a2(E)	#6	4'-0"	
d(E)	#5	5'-2"	
x(E)	#5	2'-4"	
Concrete Superstructure		Cu Yd	4.8
Concrete Removal		Cu Yd	4.1
Bar Splicers		Each	16
Reinforcement Bars, Epoxy Coated		Pound	850