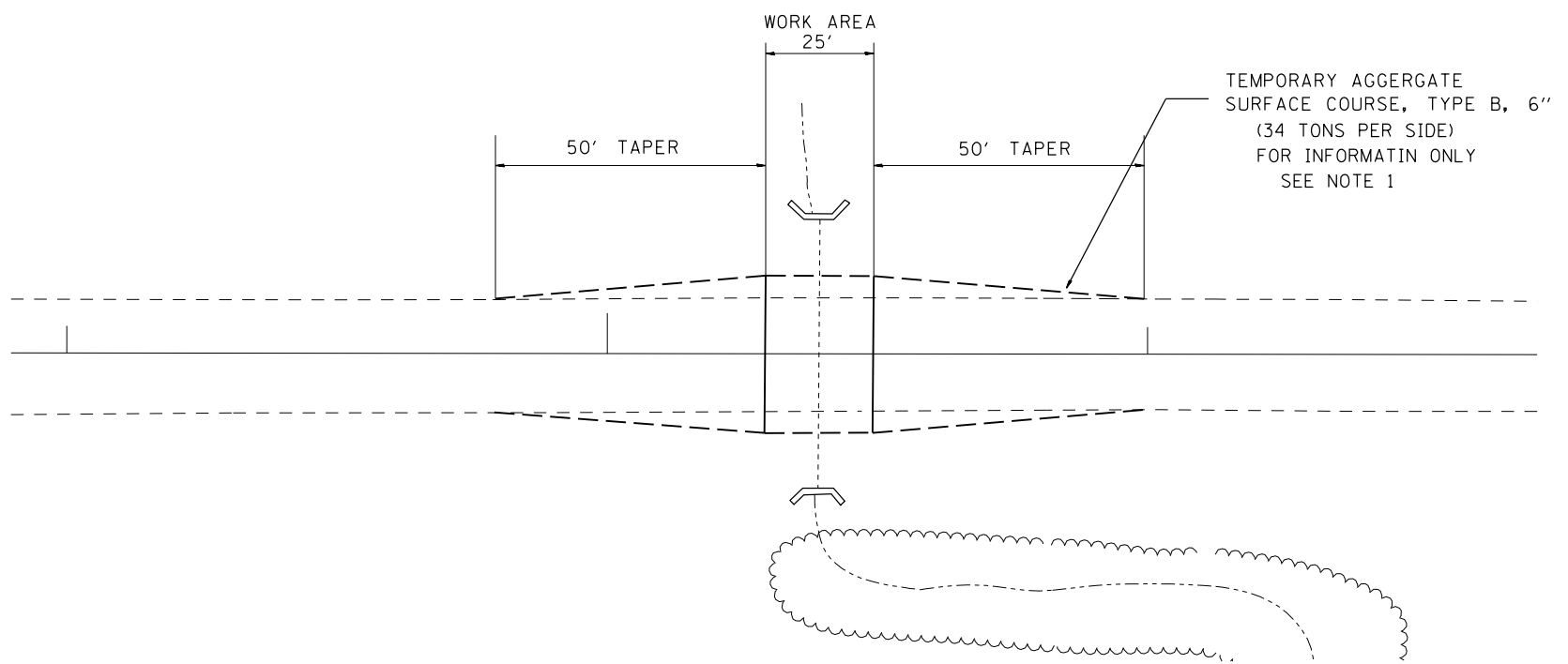
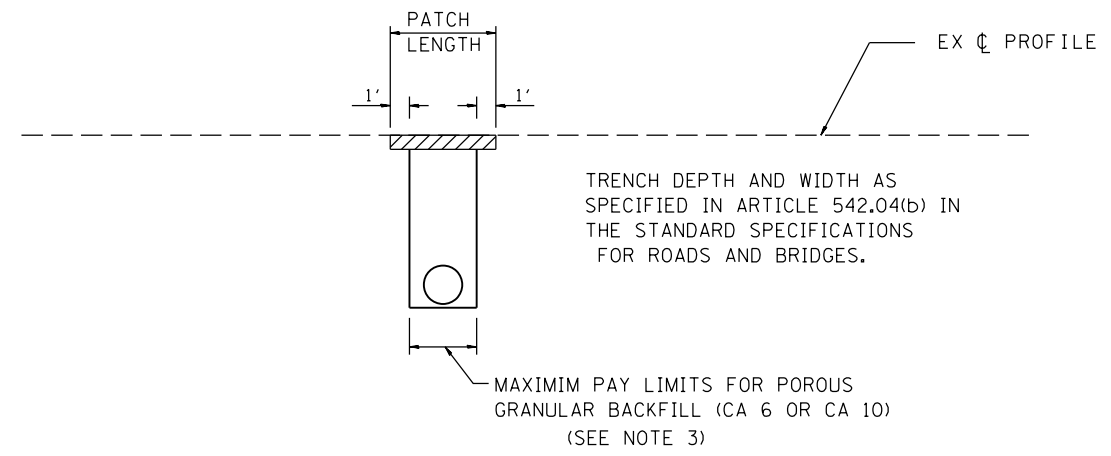
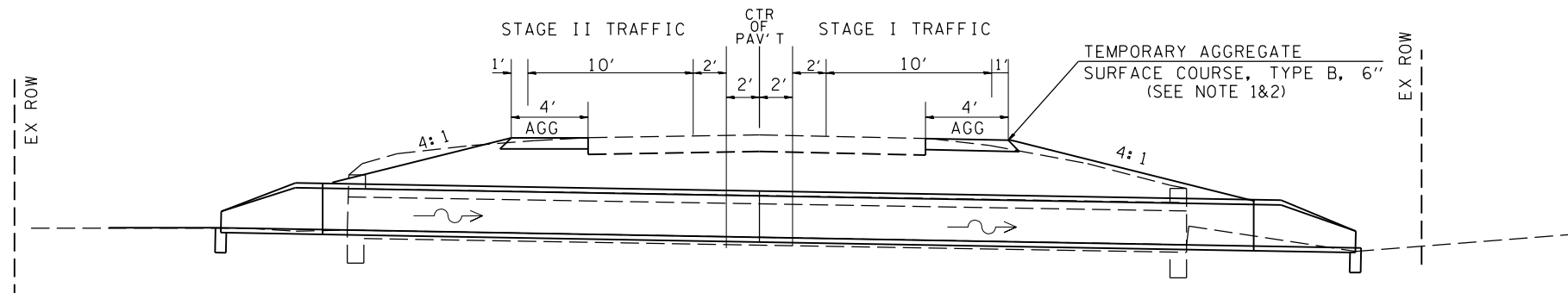


CULVERT REPLACEMENT STAGING



GENERAL NOTES

1. THE COST OF FURNISHING AND PLACING THE TEMPORARY AGGREGATE SURFACE COURSE, TYPE B, 6" IS INCLUDED IN THE COST OF THE PROPOSED PIPE CULVERT. THIS WORK SHALL BE PLACED AND COMPACTED TO THE SATISFACTION OF THE ENGINEER.
2. REMOVAL OF TEMPORARY AGGREGATE SURFACE IS INCLUDED IN THE COST OF EARTH EXCAVATION
3. BACKFILL QUANTITY IS BASED ON THE USE OF SHORING. IF SHORING IS NOT USED THE ADDITIONAL BACKFILL WILL BE AT THE EXPENSE OF THE CONTRACTOR
4. IF A TEMPORARY PATCH IS USED, THEN THE COST OF THE PATCH IS INCLUDED IN THE COST OF THE PROPOSED PIPE CULVERT. THE TEMPORARY PATCH SHALL HAVE A MINIMUM THICKNESS OF 2" BITUMINOUS MIXTURE MEETING THE ENGINEER'S APPROVAL
5. THIS WORK WILL BE PERFORMED UNDER TRAFFIC CONTROL 701336. NO OVER NIGHT LANE CLOSURES WILL BE PERMITTED.

FILE NAME =	USER NAME = \$USER*	DESIGNED -	REVISED -	STATE OF ILLINOIS DEPARTMENT OF TRANSPORTATION	DISTRICT NINE DETAILS				F.A.S. RTE.	SECTION	COUNTY	TOTAL SHEETS	SHEET NO.
c:\pw\work\p\dot\k\elleykd\0306645\78317-sht1-details.dgn		DRAWN -	REVISED -						2882	(11,12)R-1	FRANKLIN	196	71
\$MODELNAME*	PLOT SCALE = 100.0000' / in.	CHECKED -	REVISED -		CONTRACT NO. 78317				ILLINOIS FED. AID PROJECT				
	PLOT DATE = 3/22/2013	DATE -	REVISED -		SCALE:	SHEET	OF	SHEETS	STA.	TO	STA.		