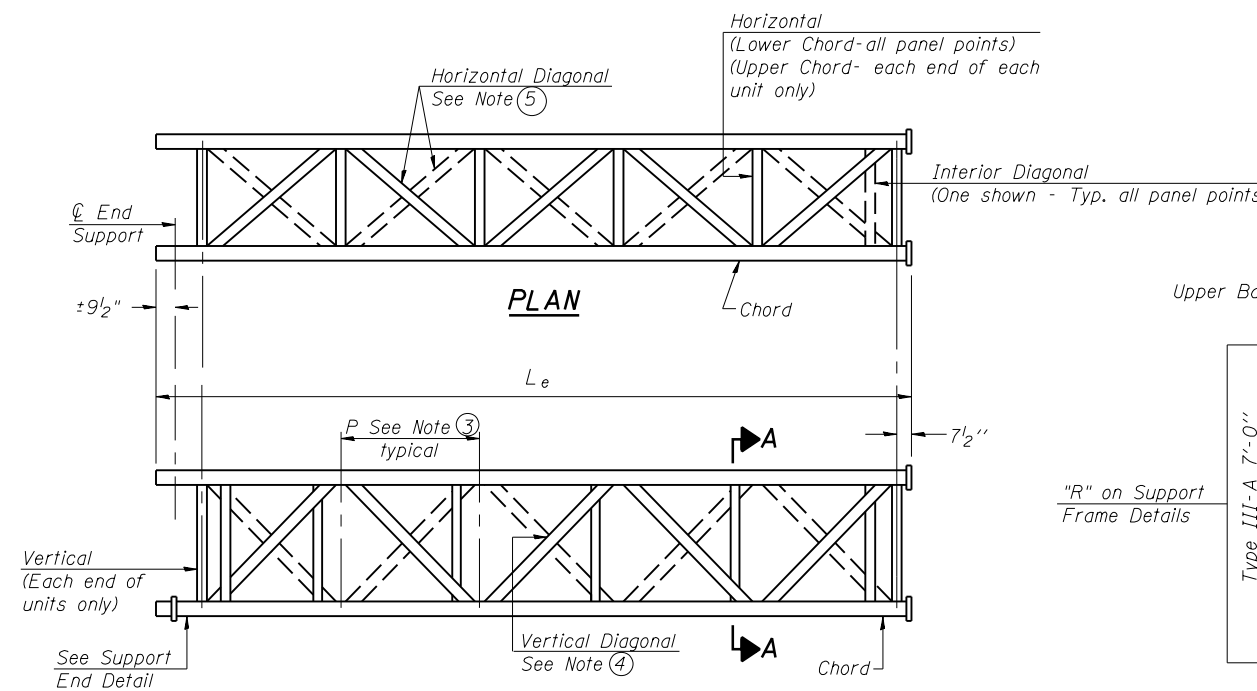
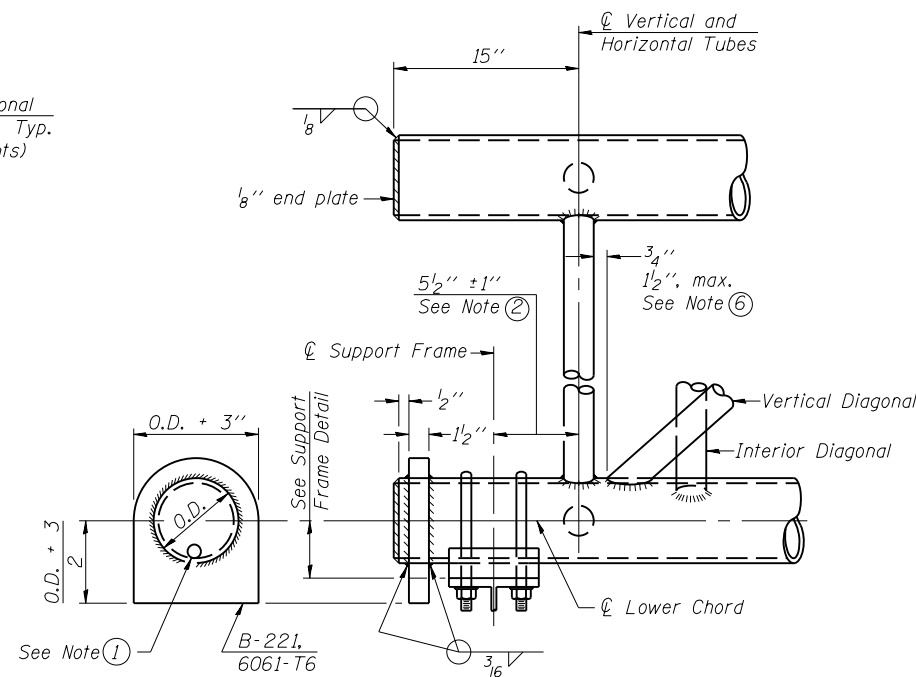


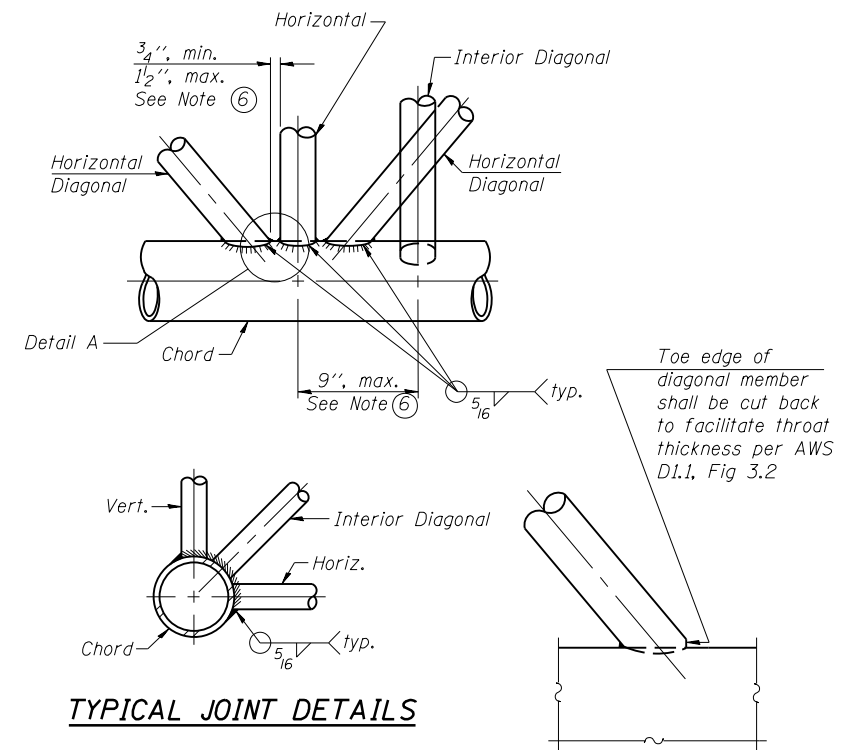
**ELEVATION
TYPICAL INTERIOR UNIT**
Even number of panels/interior unit required.



**ELEVATION
TYPICAL EXTERIOR UNIT**
Even or odd number of panels/exterior units allowed.

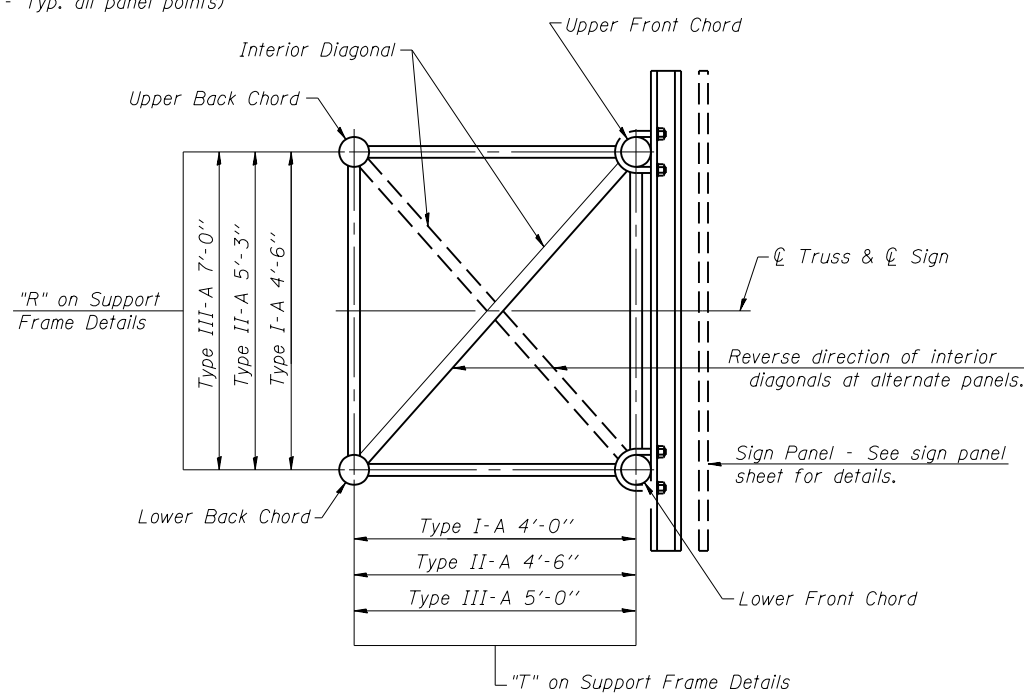


SUPPORT END DETAIL FOR EXTERIOR UNIT



TYPICAL JOINT DETAILS

DETAIL A



SECTION A-A

- ① Contractor may alternatively use standard aluminum drive-fit cap to close end. 1/2" φ drain hole in end plate/drive-fit cap. (Typ. at ends of all chords)
- ② 5 1/2" end dimension may vary by ±1" to provide uniform panel spacing (P).
- ③ Panel spacing (P) shall be uniform for entire truss and between 4'-0" and 5'-0" for Type I-A or 4'-0" and 5'-6" for Types II-A and III-A.
- ④ Vertical Diagonals in front and back face shall alternate.
- ⑤ Hidden lines show wind bracing alternates direction between planes of top and bottom chords.
- ⑥ All diagonals shall be detailed for minimum offset from the panel point based on the following: Offset shall be such as to provide a 3/4" minimum to 1 1/2" maximum clearance between any diagonal and any horizontal or vertical member, and to provide clearance for U-bolt connections of signs or walkway brackets.

OS-A-2

6-1-12

FILE NAME =	USER NAME = \$USER\$	DESIGNED -	REVISED -
ei:\pwork\pwork\pwork\collemm\d0339264\78362-sh1-sgnstr.dgn		DRAWN -	REVISED -
		CHECKED -	REVISED -
		DATE -	REVISED -

**STATE OF ILLINOIS
DEPARTMENT OF TRANSPORTATION**

**OVERHEAD SIGN STRUCTURES - ALUMINUM TRUSS
DETAILS FOR TRUSS TYPES I-A, II-A AND III-A**

*VARIOUS ROUTES			
F.A.I. RTE.	SECTION	COUNTY	TOTAL SHEETS
			34
D9 SAFETY SIGNAGE 2013-1			VARIOUS
			CONTRACT NO. 78362
ILLINOIS FED. AID PROJECT			

SCALE: SHEET OF SHEETS STA. TO STA.