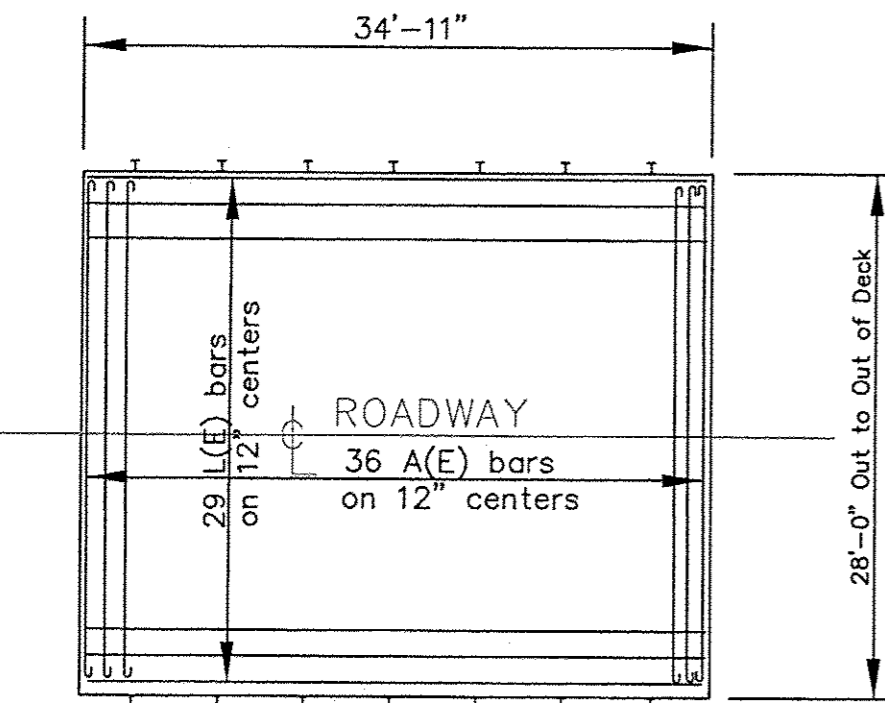
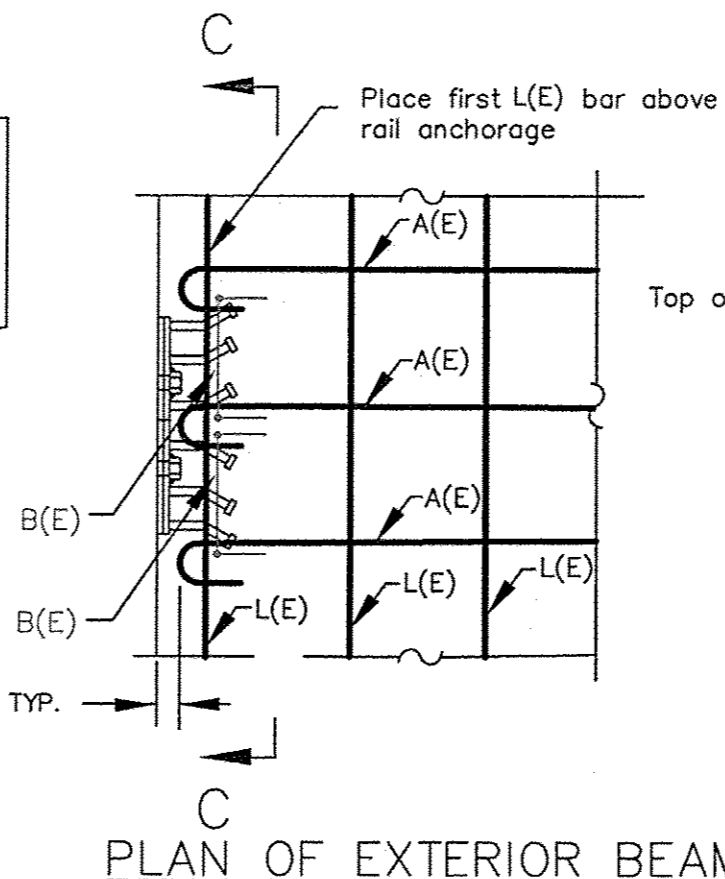


CO. HWY 12, FAS 195  
SEC. 11-00314-00-BR  
BUILT 2013  
LEE COUNTY  
LOADING HL-93  
STR. NO. 052-3371

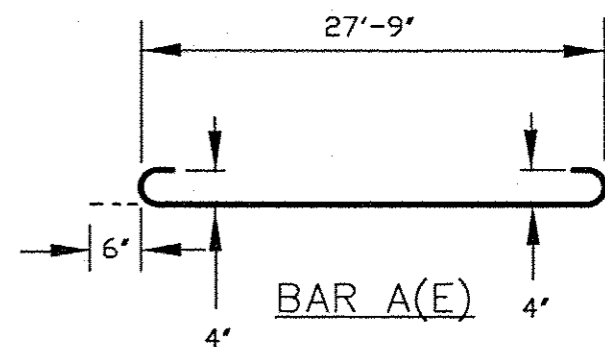
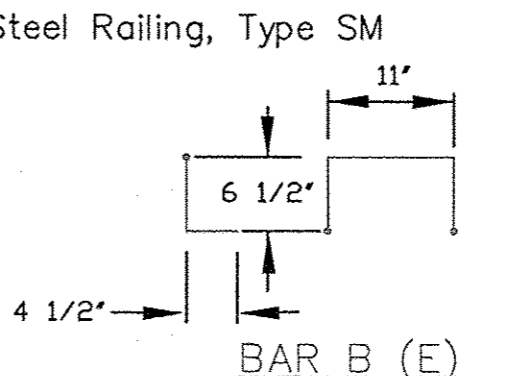
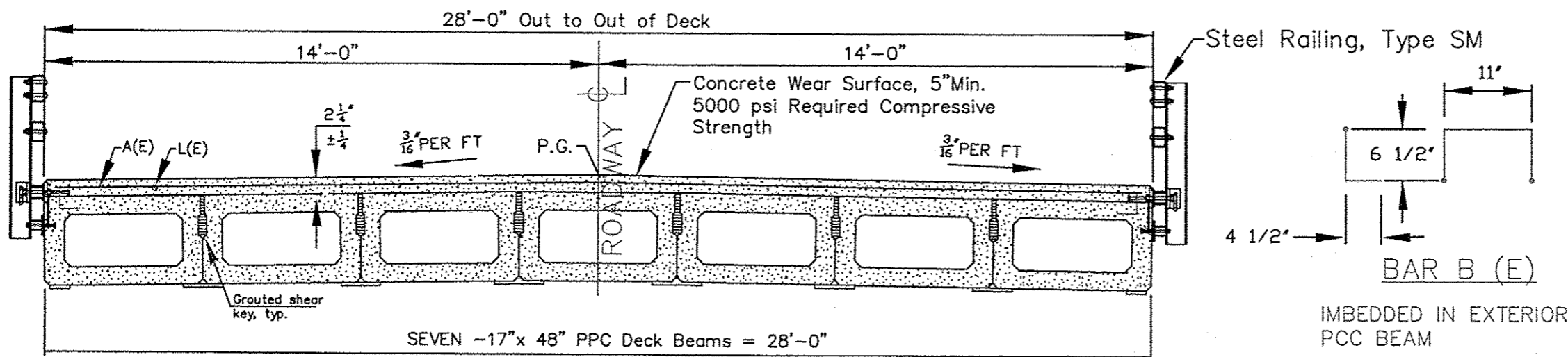
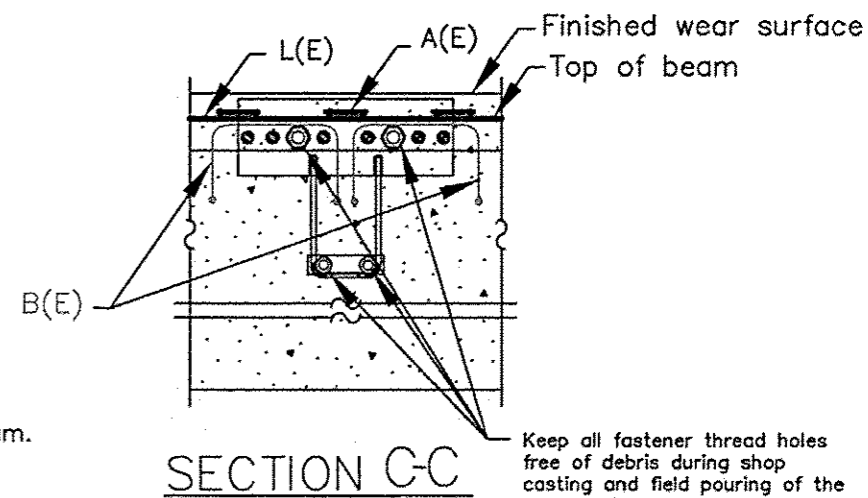
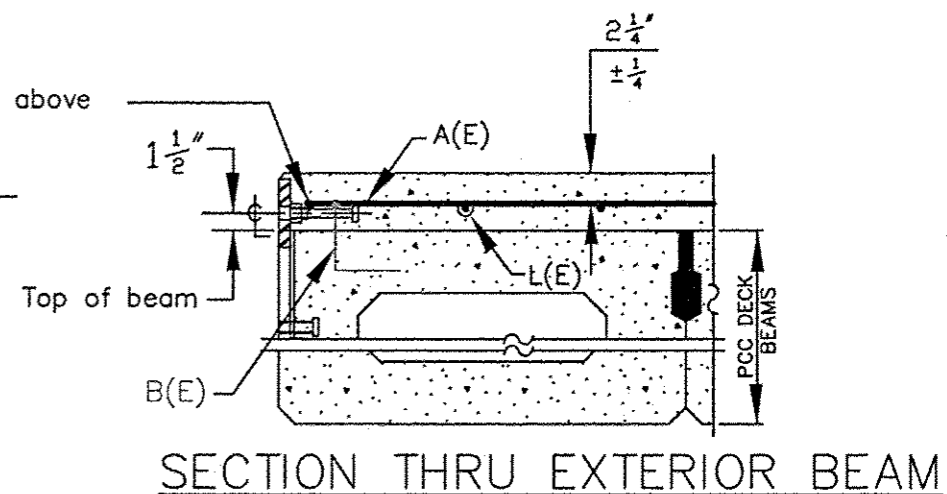
LETTERING FOR NAME PLATE  
(Also see STD 515001-02)



WEAR SURFACE REINFORCING PLAN



NOTE:  
Formwork necessary for the wearing surface may be secured utilizing the bottom rail anchorage inserts and/or additional inserts cast into the beam.



\* (E) BARS & DOWEL RODS SHALL BE EPOXY COATED TO AASHTO M 284.

SUPERSTRUCTURE				
F.A.S. RTE.	SECTION	COUNTY	TOTAL SHEETS	SHEET NO.
0195	11-00314-00-BR	LEE	15	7
LEE COUNTY HW DEP'T.		CONTRACT NO. 85583		
		ILLINOIS FED. AID PROJECT BRS-0195(106)		