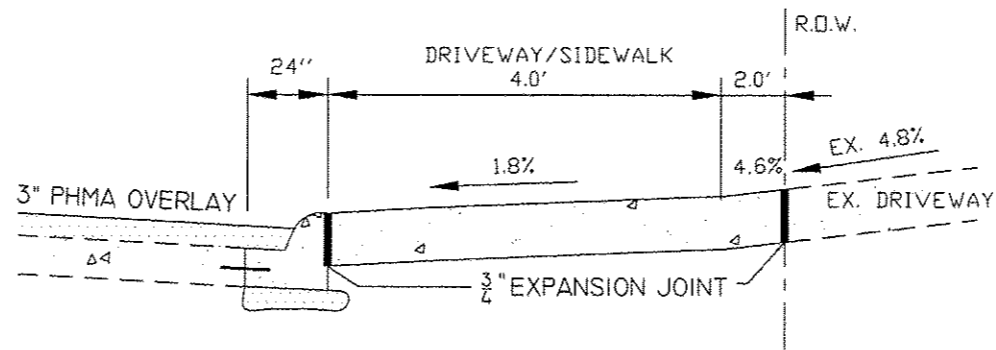
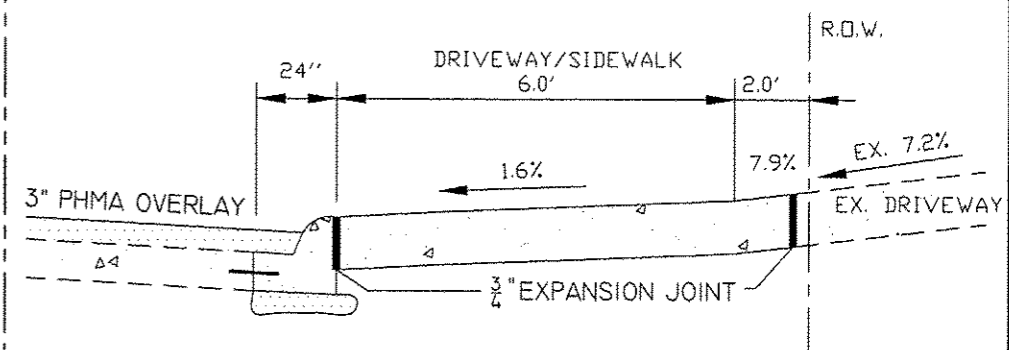


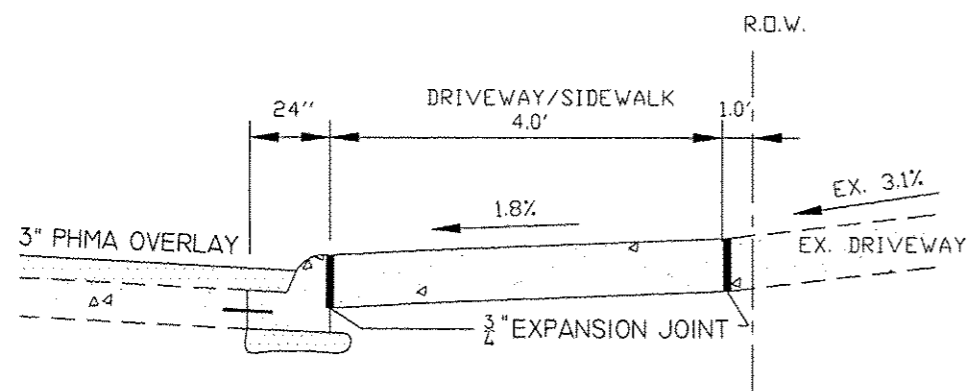
P.E. 18+79.96 LT



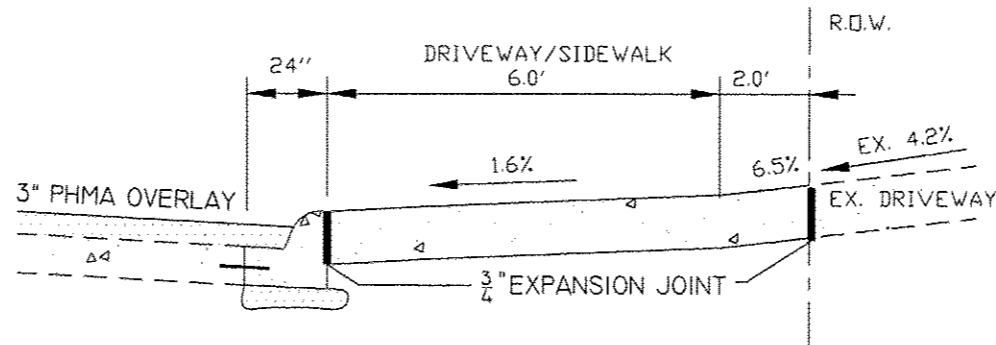
P.E. 34+75.87 RT



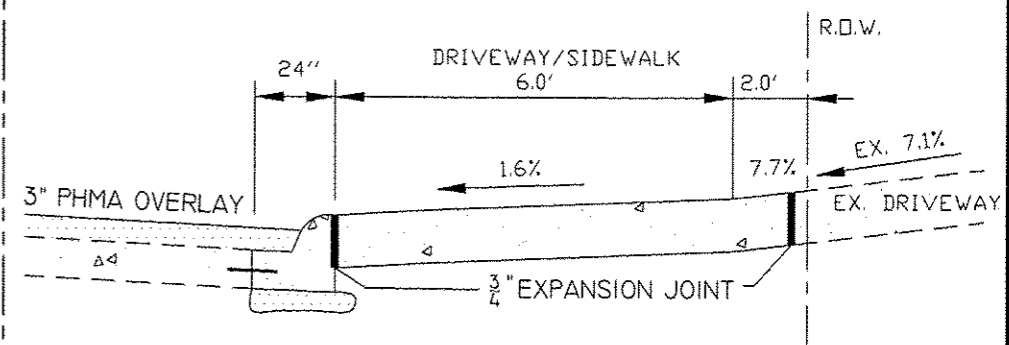
P.E. 36+18.01 LT



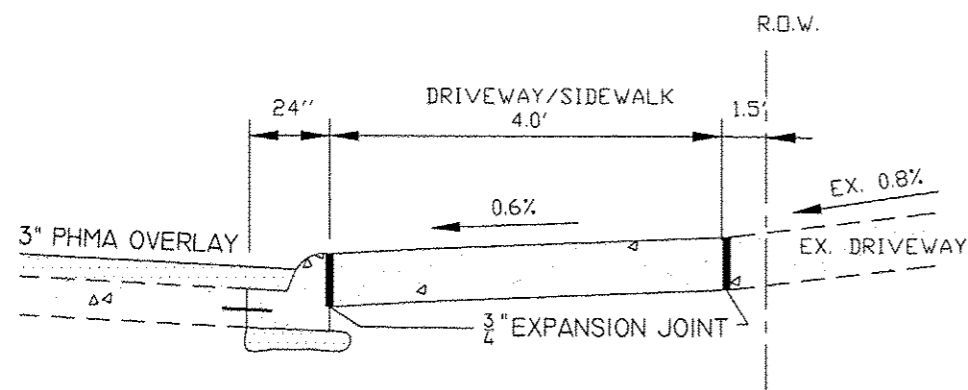
P.E. 19+77.41 LT



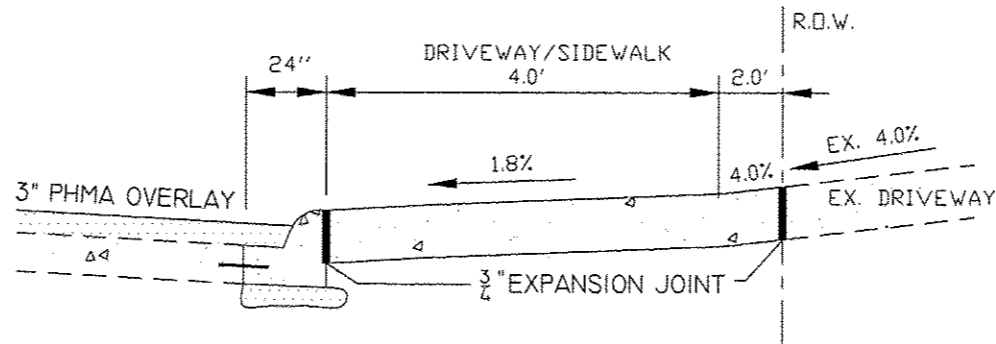
P.E. 35+57.07 LT



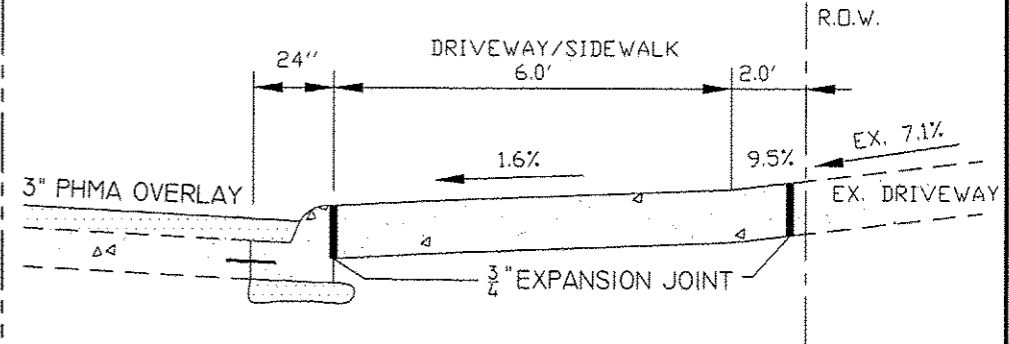
P.E. 37+18.61 LT



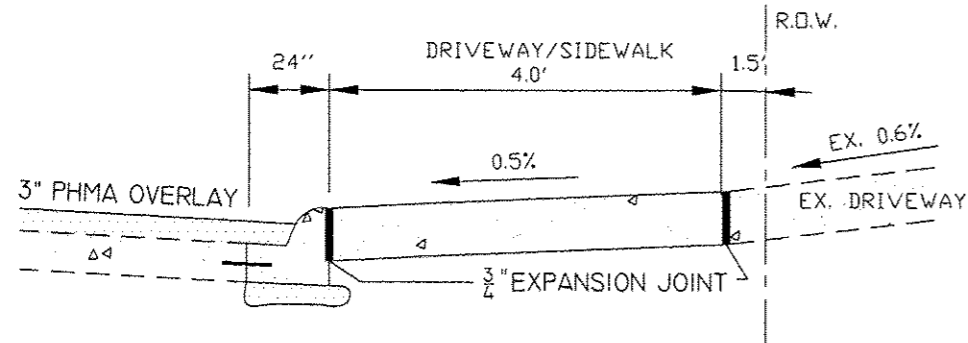
P.E. 29+11.63 RT



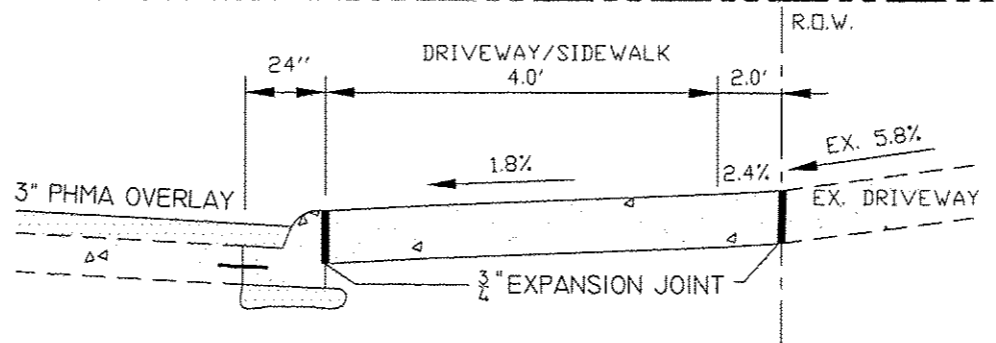
P.E. 35+67.76 RT



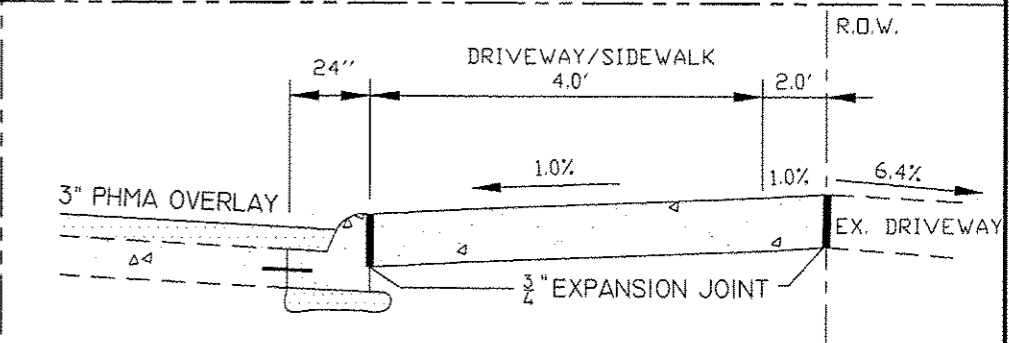
P.E. 37+63.21 LT



P.E. 33+99.57 RT



P.E. 36+02.25 RT



P.E. 38+28.58 RT



CITY OF MOLINE
 DEPARTMENT OF PUBLIC WORKS - ENGINEERING DIVISION
 3635 4TH AVENUE, MOLINE, IL 61265
 (309) 524-2350
 CITY ENGINEER - SCOTT HINTON, P.E.

12TH AVENUE OVERLAY
 19TH STREET TO 34TH STREET
 DETAILS

Date	2-20-12	Sheet	35
Scale	NTS	of	40
3-21-13	IDOT COMMENTS		
Date	Revision		

Date	2-20-12	Sheet	35
Scale	NTS	of	40
Design Engineer	JWC	Project	MFT 254